

# Bestellung Commande Order

Kunde, Client, Customer: \_\_\_\_\_

Kom., Commission: \_\_\_\_\_

Händler, Distributeur, Dealer: \_\_\_\_\_

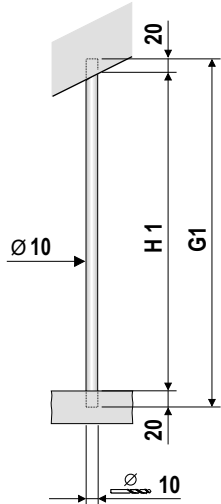
CAD + Plots, CAO + plans: 3.01

Technik, Technique, Technology: [www.lamifix.ch](http://www.lamifix.ch) Email: [lamifix@lamifix.ch](mailto:lamifix@lamifix.ch) Tel: 0041 (0)55 225 48 48 Fax: 0041 (0)55 225 48 44

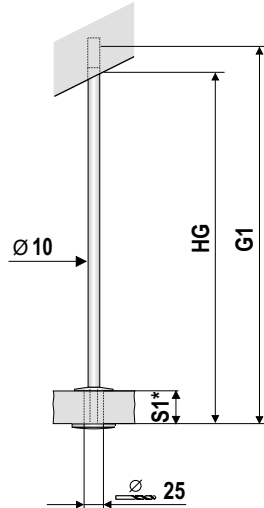


1 - 2010

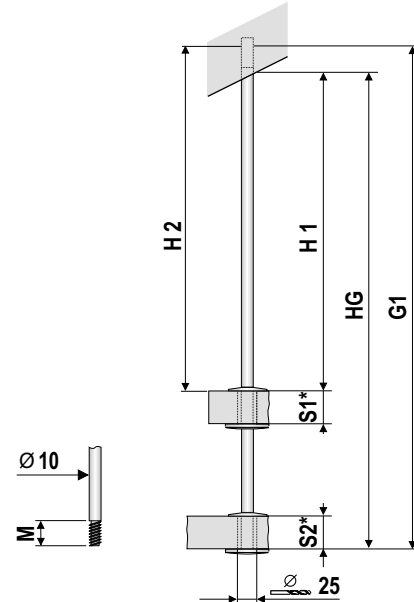
**Ohne Verschraubung**  
**Sans vissage**  
**Without screwing**



**Mit Verschraubung**  
**Set 31**  
**Avec vissage**  
**With screwing**



**Mit Verschraubung**  
**Set 32**  
**Avec vissage**  
**With screwing**



No.	H1	+40	=G1	pcs	HG	+35	=G1	S1	- 6	=M	HG	+35	=G1	H1	+39	=H2	S2	- 6	=M
1		+40				+35			- 6		+35			+39				- 6	
2		+40				+35			- 6		+35			+39				- 6	
3		+40				+35			- 6		+35			+39				- 6	
4		+40				+35			- 6		+35			+39				- 6	
5		+40				+35			- 6		+35			+39				- 6	
6		+40				+35			- 6		+35			+39				- 6	
7		+40				+35			- 6		+35			+39				- 6	
8		+40				+35			- 6		+35			+39				- 6	
9		+40				+35			- 6		+35			+39				- 6	
10		+40				+35			- 6		+35			+39				- 6	
11		+40				+35			- 6		+35			+39				- 6	
12		+40				+35			- 6		+35			+39				- 6	
13		+40				+35			- 6		+35			+39				- 6	
14		+40				+35			- 6		+35			+39				- 6	
15		+40				+35			- 6		+35			+39				- 6	
16		+40				+35			- 6		+35			+39				- 6	
17		+40				+35			- 6		+35			+39				- 6	
18		+40				+35			- 6		+35			+39				- 6	
19		+40				+35			- 6		+35			+39				- 6	
20		+40				+35			- 6		+35			+39				- 6	
21		+40				+35			- 6		+35			+39				- 6	
22		+40				+35			- 6		+35			+39				- 6	
23		+40				+35			- 6		+35			+39				- 6	
24		+40				+35			- 6		+35			+39				- 6	
25		+40				+35			- 6		+35			+39				- 6	
26		+40				+35			- 6		+35			+39				- 6	
27		+40				+35			- 6		+35			+39				- 6	
28		+40				+35			- 6		+35			+39				- 6	
29		+40				+35			- 6		+35			+39				- 6	
30		+40				+35			- 6		+35			+39				- 6	