

# HORHOOK

## INSTALLATION MANUAL



C20/25



S235



CLT/C24



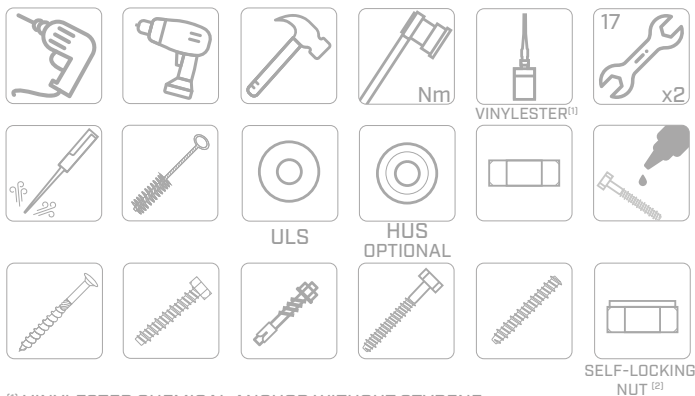
In conformity with:

EN  
1263 - 1

DGLV  
Regel 101-011



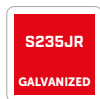
## TOOLS



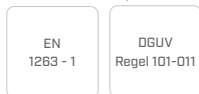
<sup>(1)</sup> VINYLESTER CHEMICAL ANCHOR WITHOUT STYRENE

<sup>(2)</sup> SELF-LOCKING NUT (FOLLOW ITS MAINTENANCE MANUAL)

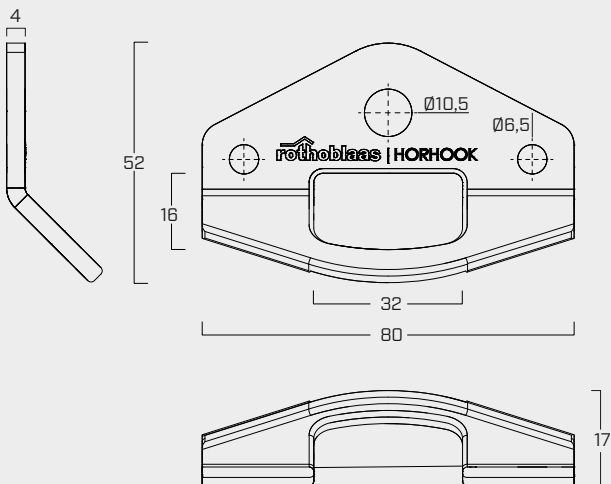
## PRODUCT INFORMATIONS



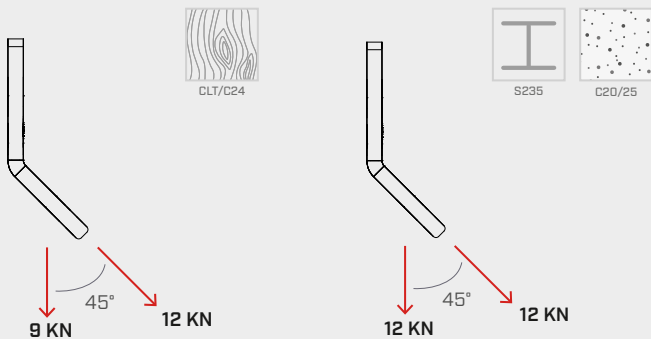
In conformity with:



## HORHOOK DIMENSIONS



## LOAD TEST MODEL



## ■ USAGE

| CODICE | standard | weight | <>   | ^<br>v |
|--------|----------|--------|------|--------|
|        |          | [g]    | [kN] | [kN]   |

**CARSCREW** CE - EN 362/B

160

25

7



**CARTWIST** CE - EN 362/B

173

20

7



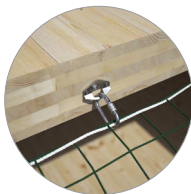
**HORHOOK + CARSCREW**






**HORHOOK + CARTWIST**



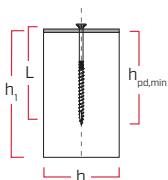
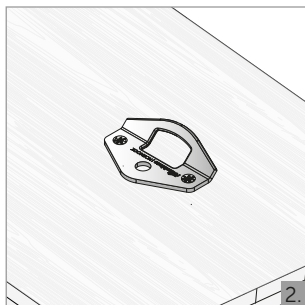
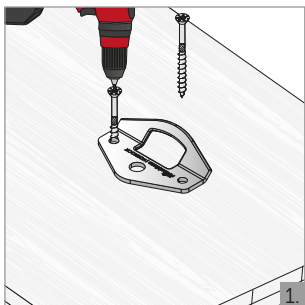
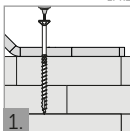
## ■ INSTALLATION MODES



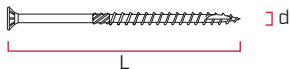
## ■ HORHOOK SUBSTRUCTURES

|  |                        | <br>HORHOOKU + CARSCREW | <br>HORHOOKU + CARTWIST |
|--|------------------------|--|--|
| <br>CLT/C24 | HBS                    | ✓  | ✓  |
| <br>C20/25  | AB1                    | ✓  | ✓  |
|  | VINYLESTER             | ✓  | ✓  |
|  | SKRCE                  | ✓  | ✓  |
| <br>S235    | M10 - 8.8 min<br>A2-A4 | ✓  | ✓  |

**HORHOOK**  
WOOD SUBSTRUCTURE

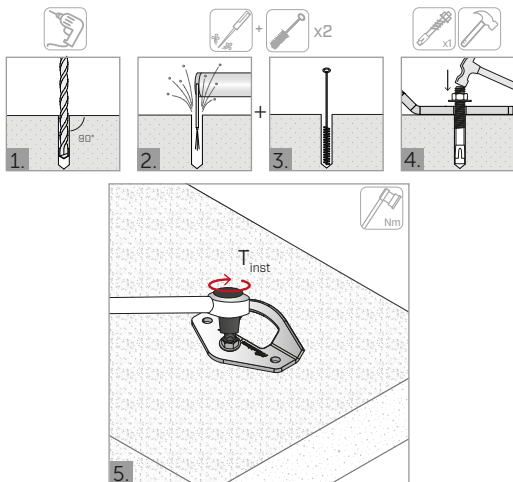


**HBS 6 X L mm**

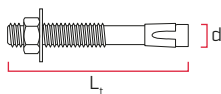
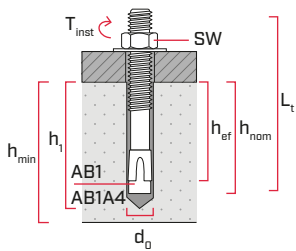


|              |        |        |
|--------------|--------|--------|
| $h_1$        | $\geq$ | 100 mm |
| $d$          | $=$    | 6 mm   |
| $L$          | $\geq$ | 100 mm |
| $b$          | $\geq$ | 80 mm  |
| $h_{pd,min}$ | $\geq$ | 92 mm  |

# HORHOOKU CONCRETE SUBSTRUCTURE

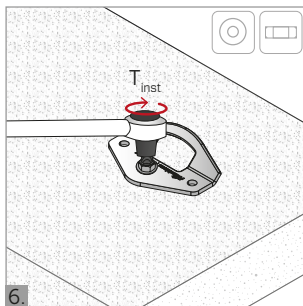
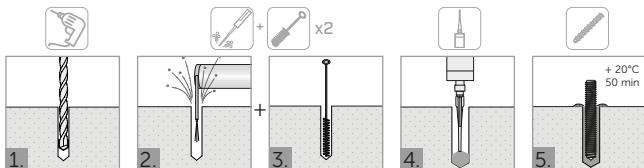


## AB1

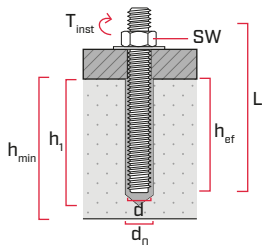


|                              |                               |
|------------------------------|-------------------------------|
| $d = d_0 = M10$              | $h_{ef} \geq 60 \text{ mm}$   |
| $L_t \geq 115 \text{ mm}$    | $h_{min} \geq 120 \text{ mm}$ |
| $h_1 \geq 75 \text{ mm}$     | SW = 17 mm                    |
| $h_{nom} \geq 68 \text{ mm}$ | $T_{inst} = 40 \text{ Nm}$    |

# HORHOOK CONCRETE SUBSTRUCTURE



M10 - 8.8 min/A2



$$80 \leq h_{ef} \leq 200 \text{ mm}$$

$$h_{min} \geq h_{ef} + 30 \text{ mm}$$

$$L \geq h_{ef} + 40 \text{ mm}$$

$$h_{min} \geq 110 \text{ mm}$$

$$d_0 = 12 \text{ mm}$$

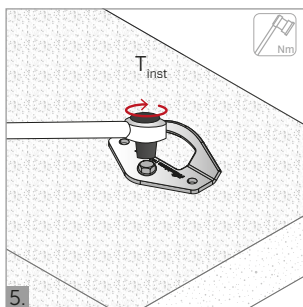
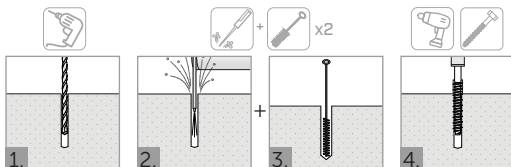
$$d = 10 \text{ mm}$$

$$SW = 17 \text{ mm}$$

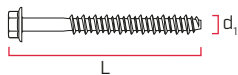
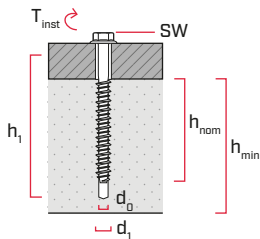
$$T_{inst} = 20 \text{ Nm}$$



# HORHOOK CONCRETE SUBSTRUCTURE

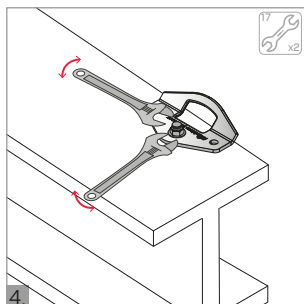
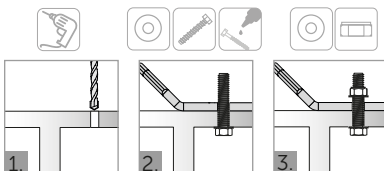


SKR CE 10 x 100 mm

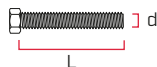
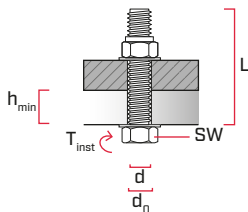


|                               |                              |
|-------------------------------|------------------------------|
| $h_1 \geq 85 \text{ mm}$      | $d_1 = 10 \text{ mm}$        |
| $d_0 = 8 \text{ mm}$          | $h_{nom} \geq 70 \text{ mm}$ |
| $h_{min} \geq 110 \text{ mm}$ | SW = 13 mm                   |
| $L \geq 100 \text{ mm}$       | $T_{inst} = 50 \text{ Nm}$   |

**HORHOOK**  
STEEL SUBSTRUCTURE



**M10 - 8.8 min/A2-A4**



|                                  |   |
|----------------------------------|---|
| $d = 10 \text{ mm}$              | SW = 17 mm                                      |
| $d_0 = 10,5 \text{ mm}$          | 8.8 $\triangleright T_{inst} = 55 \text{ Nm}$   |
| $L \geq 30 \text{ mm}$           | A2-A4 $\triangleright T_{inst} = 45 \text{ Nm}$ |
| $L \geq h_{min} + 25 \text{ mm}$ |   |
| $h_{min} \geq 5 \text{ mm}$      |   |





## **Rotho Blaas SRL**

02-23

Via dell'Adige N.2/1 | 39040, Cortaccia (BZ) | Italia  
Tel: +39 0471 81 84 00 | Fax: +39 0471 81 84 84  
info@rothoblaas.com | www.rothoblaas.com

