

## HORHOOKU

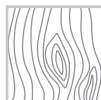
### INSTALLATION MANUAL



C20/25



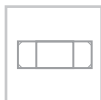
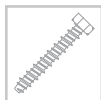
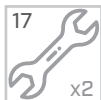
S235



C24

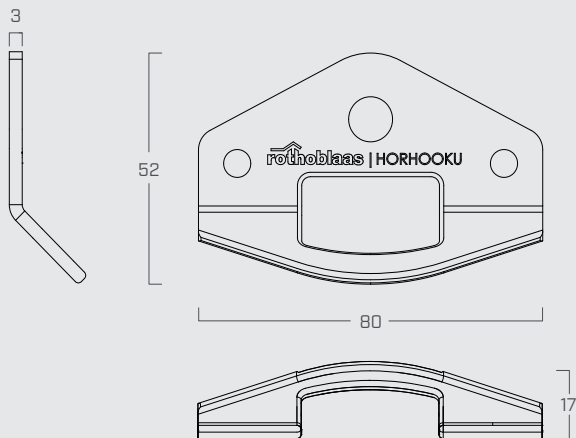


## TOOLS

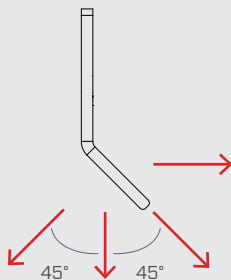


<sup>1)</sup> VINYLESTER CHEMICAL  
ANCHOR WITHOUT STYRENE

## HORHOOKU DIMENSIONS



## LOAD TEST MODEL (CHARACTERISTIC LOAD 6 kN)



## ■ USAGE

HORHOOKU + HORHOOKCAR



HORHOOKU + HORHOOKSLI



## ■ INSTALLATION MODES EXAMPLES



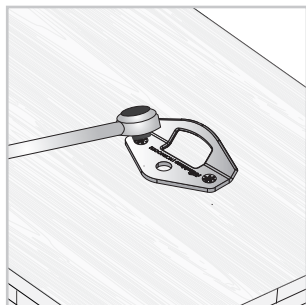
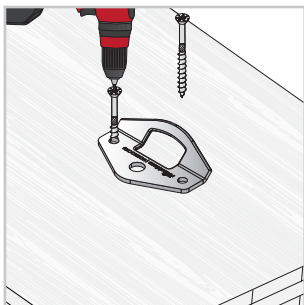
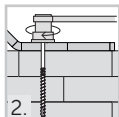
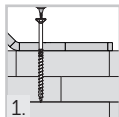
**HOORHOOKU**  
WOOD SUBSTRUCTURE



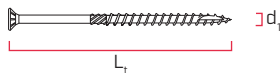
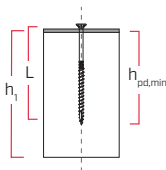
CLT



HUS  
OPTIONAL

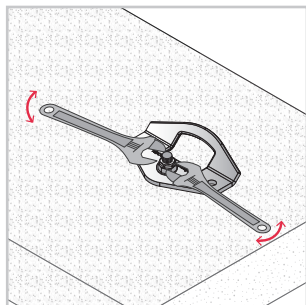
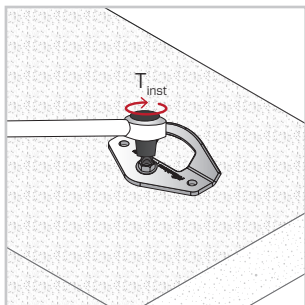
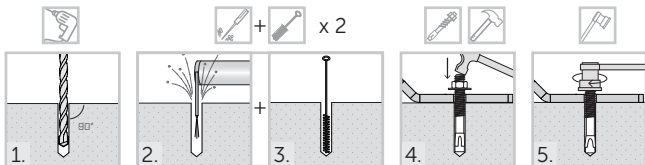


**HBS 6 X 100 mm**

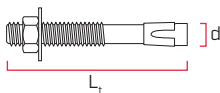
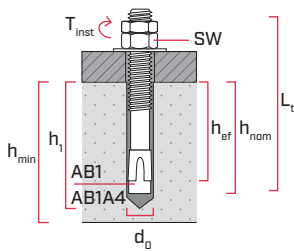


$h_1$	$\geq$	100 mm	$T_{inst} =$	30 Nm
$d$	$=$	6 mm	$T_{inst} =$	40 Nm
$L$	$\geq$	100 mm		
$h_{pd,min}$	$\geq$	83 mm		

# HOORHOOKU CONCRETE SUBSTRUCTURE

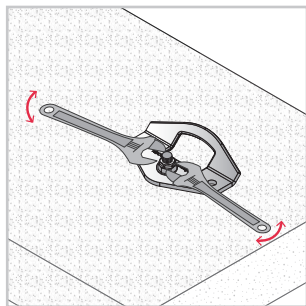
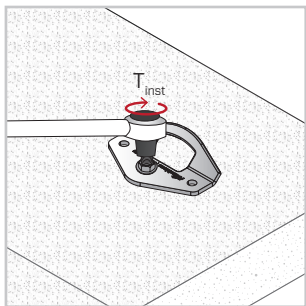
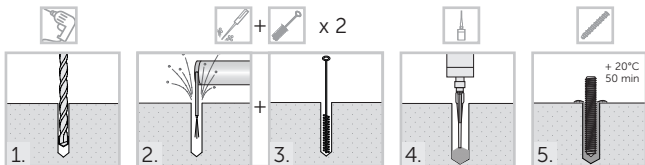


AB1

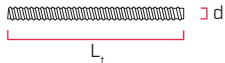
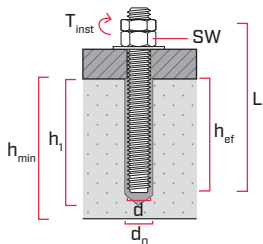


$d$	$= d_0 = M10$	$h_{ef}$	$= 60 \text{ mm}$
$L_t$	$= 115 \text{ mm}$	SW	$= 17 \text{ mm}$
$h_1$	$\geq 75 \text{ mm}$	$T_{inst}$	$= 40 \text{ Nm}$
$h_{nom}$	$= 68 \text{ mm}$	$h_{min}$	$\geq 120 \text{ mm}$

# HOORHOOKU CONCRETE SUBSTRUCTURE



M10 - 8.8 min/A2



$$80 \leq h_{ef} \leq 200 \text{ mm}$$

$$h_{min} \geq h_{ef} + 30 \text{ mm}$$

$$L \geq h_{ef} + 40 \text{ mm}$$

$$h_{min} \geq 110 \text{ mm}$$

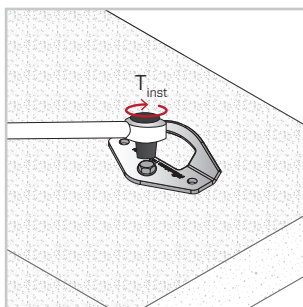
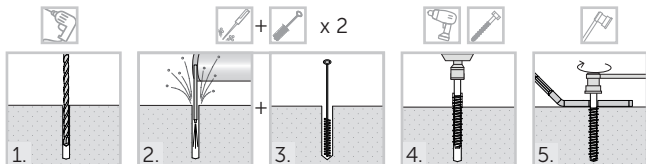
$$d_0 = 12 \text{ mm}$$

$$d = 10 \text{ mm}$$

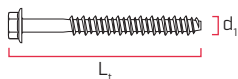
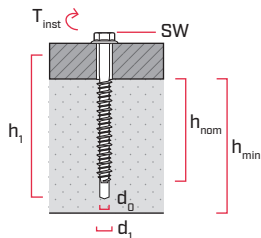
$$SW = 17 \text{ mm}$$

$$T_{inst} = 20 \text{ Nm}$$

# HOORHOOKU CONCRETE SUBSTRUCTURE



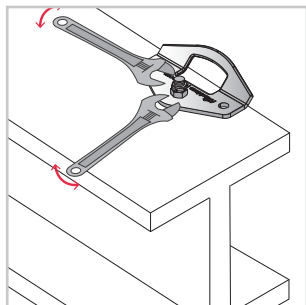
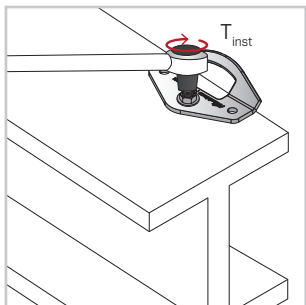
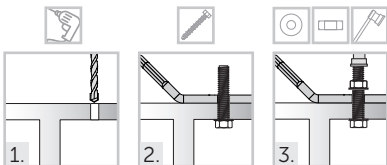
SKR CE 10 x 90 mm



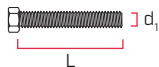
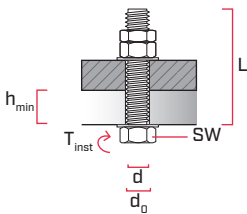
$h_1 \geq 100 \text{ mm}$	$d_1 = 10 \text{ mm}$
$d_0 = 10 \text{ mm}$	SW = 17 mm
$h_{min} \geq 150 \text{ mm}$	$T_{inst} = 55 \text{ Nm}$
$L = 90 \text{ mm}$	$h_{nom} \geq 45 \text{ mm}$



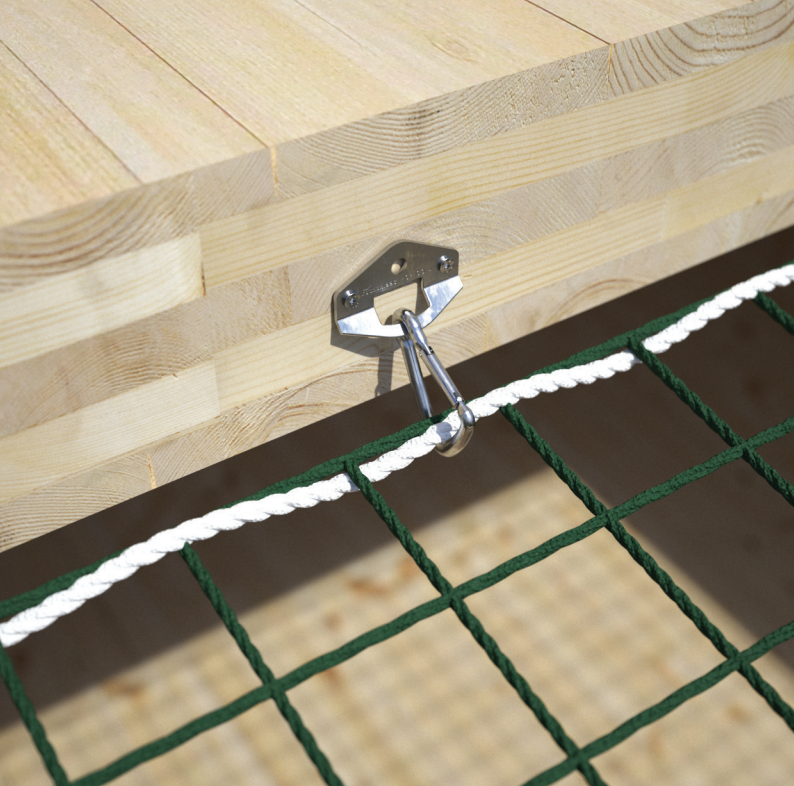
**HOORHOOKU**  
STEEL SUBSTRUCTURE



**M10 - 8.8 min/A2-A4**



$d = 10 \text{ mm}$	$SW = 17 \text{ mm}$
$d_o = 10,5 \text{ mm}$	$8.8 \rightarrow T_{inst} = 55 \text{ Nm}$
$L \geq 30 \text{ mm}$	$A2-A4 \rightarrow T_{inst} = 45 \text{ Nm}$
$L \geq h_{min} + 25 \text{ mm}$	
$h_{min} \geq 5 \text{ mm}$	



## **Rotho Blaas SRL**

08-22

Via dell'Adige N.2/1 | 39040, Cortaccia (BZ) | Italia  
Tel: +39 0471 81 84 00 | Fax: +39 0471 81 84 84  
info@rothoblaas.com | www.rothoblaas.com

