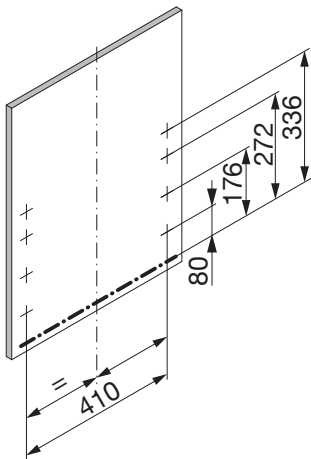
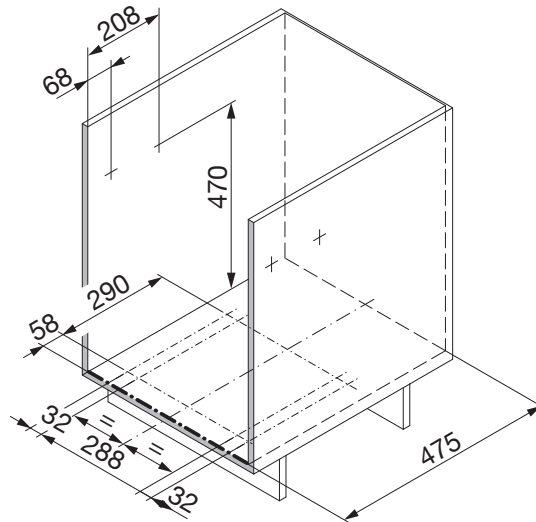


500



500/450



450

