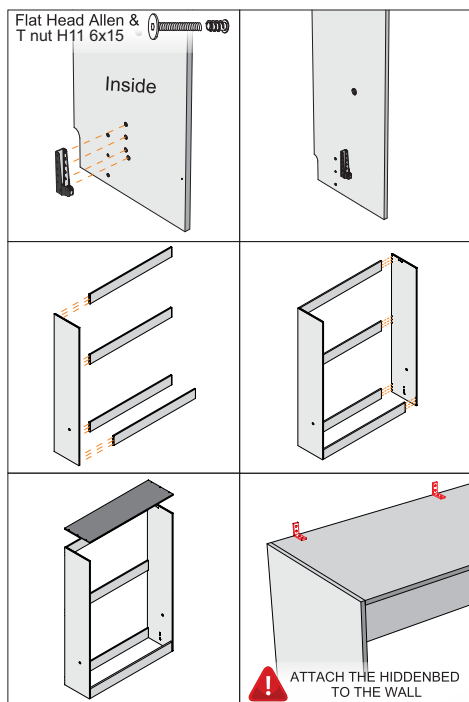
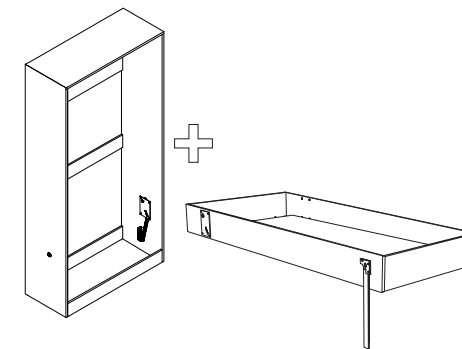
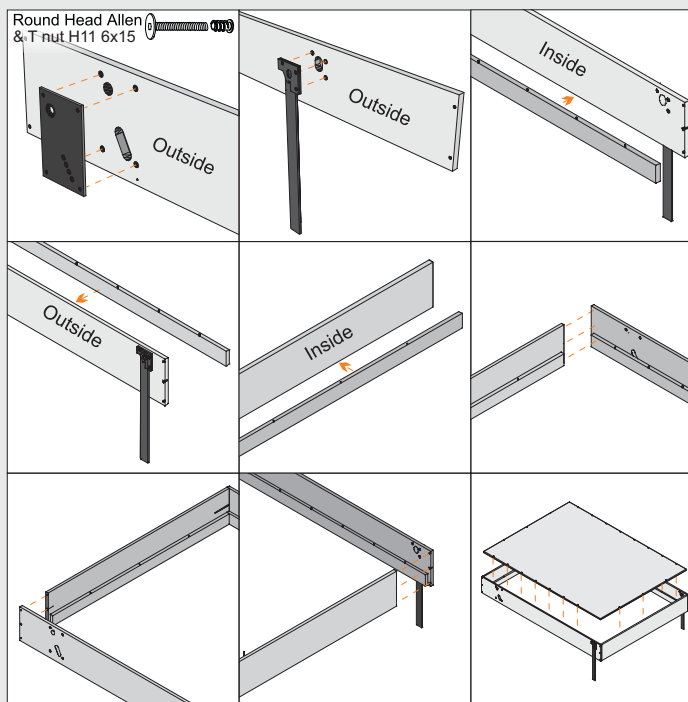


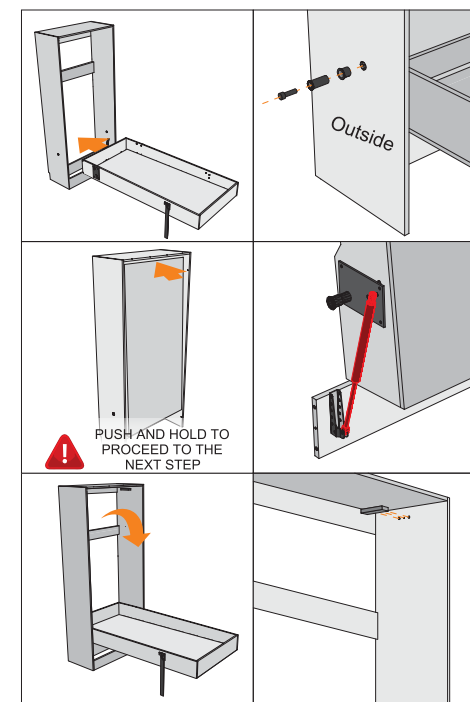
1 - MECHANISM + BODY ASSEMBLY



2 - BED ASSEMBLY



3 - FINAL ASSEMBLY



TO OBTAIN A SAFE AND RELIABLE PERFORMANCE

Make sure that: ▶ The side panels are supported on the floor at the same level. ▶ Do not place a carpet beneath one side of the desk or body side alone. ▶ Stand at the middle of the furniture to make the transformation. ▶ Avoid excessive or too asymmetric loads on the desk. ▶ While lowering, please verify that the bed bottom does not touch any objects left on the desk. ▶ Take good care not to trap your fingers between any closing parts. ▶ Use always locking device.