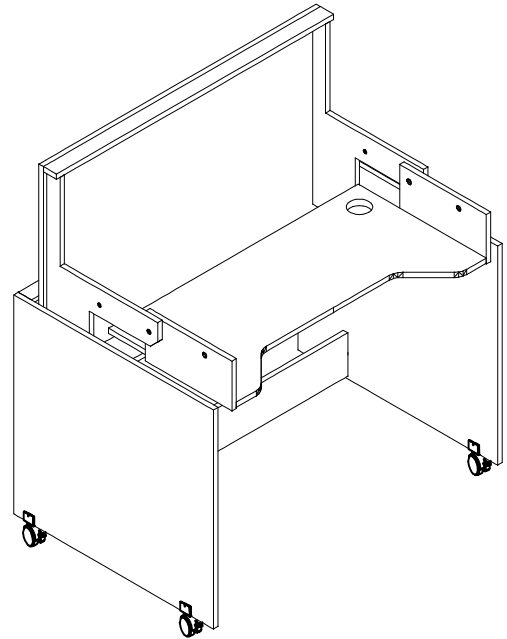
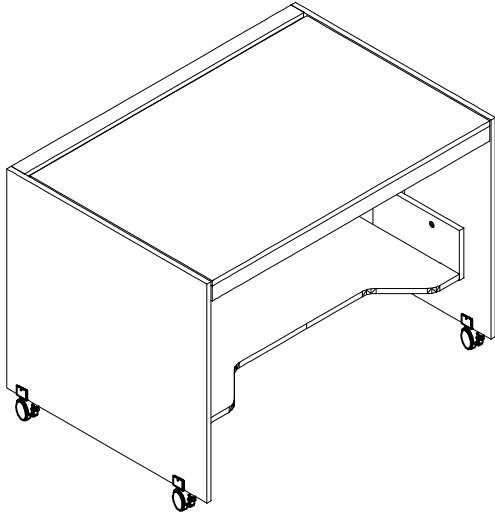


# Hiddenbed ™



hDesk

PRODUCTION DRAWINGS - MODEL hDesk **TD 02 HD 513 x 1000 UV**  
All rights reserved.

## Drawings Index Indice de Planos

A - Parts List: Body, Table and Desk /	Lista de Partes: Body, Table and Desk
B - Desk Position /	Posición Escritorio
C - Table Position /	Posición Mesa
S - Furniture Screws /	Tornillos para el Mueble
M - Mechanism /	Mecanismo

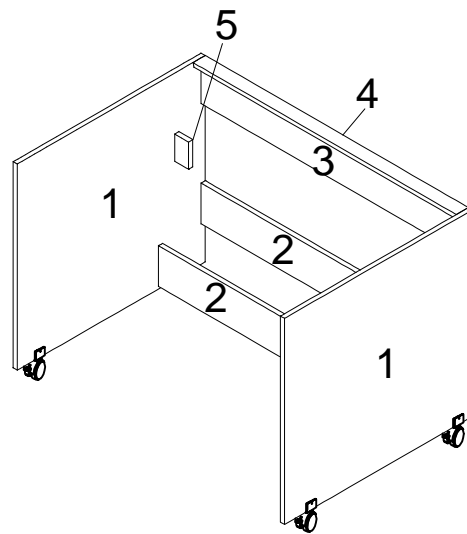


Technical drawing suggested.  
They may change according to national safety regulations.  
Manufacturer must assure the correct assembly of all parts.  
Remember! reference for drilling are centers.

Planos sugeridos.  
Pueden cambiar según las normas nacionales de seguridad.  
El fabricante debe asegurar el correcto ensamblaje de las partes.  
Nota! la referencia de las perforaciones es a los centros.

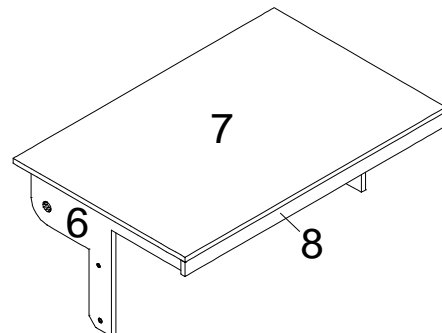
**Body Parts List/ Lista de partes**

Part N° N° de Pieza	Name Nombre	Qty. Cant.
1	Body Side	2
2	Bottom Stretcher	2
3	Body Back Upper	1
4	Body Top	1
5	Stop	2



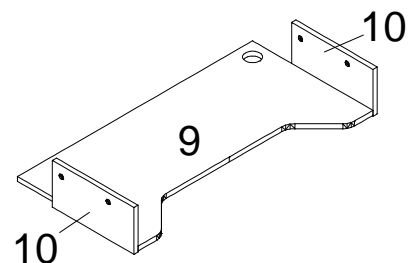
**Table Parts List/ Lista de partes**

6	Table Side	2
7	Table Top	1
8	Table Front	1

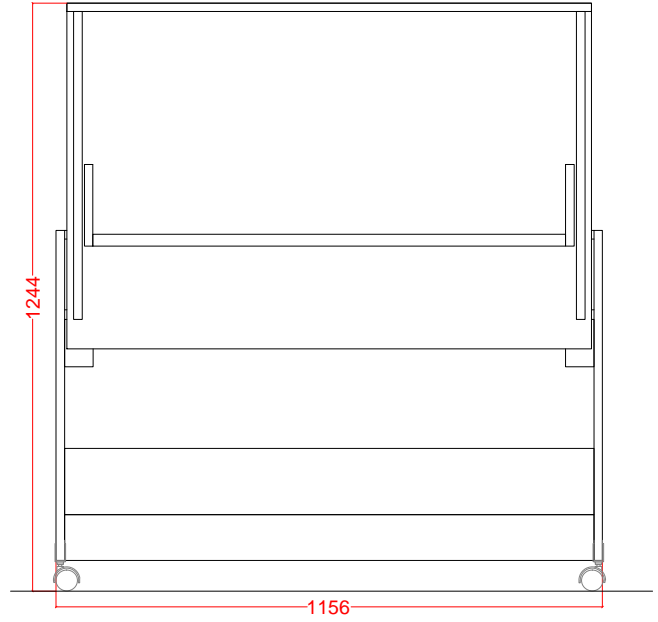
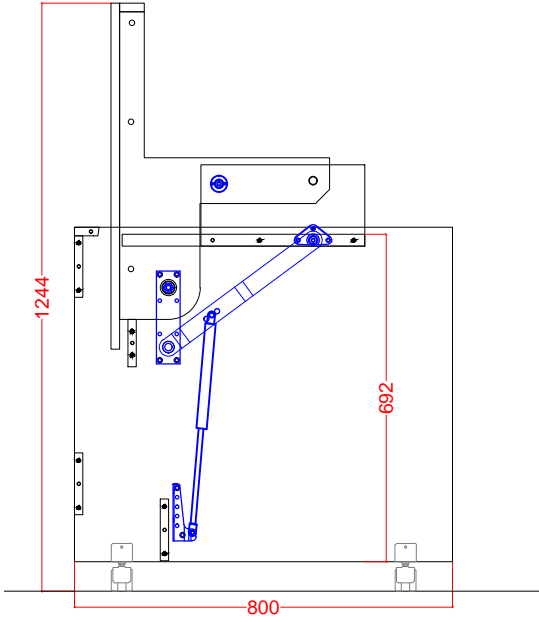


**Desk Parts List/ Lista de partes**

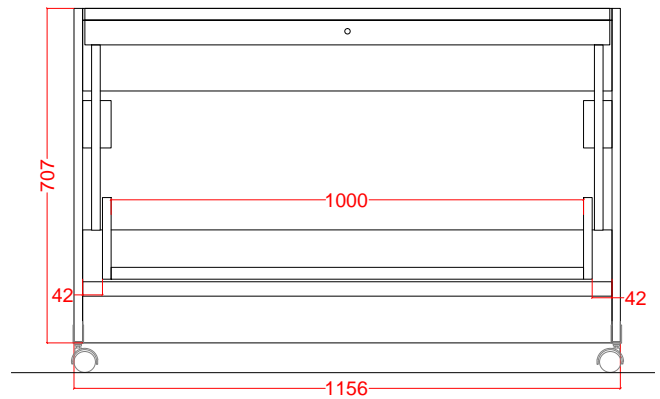
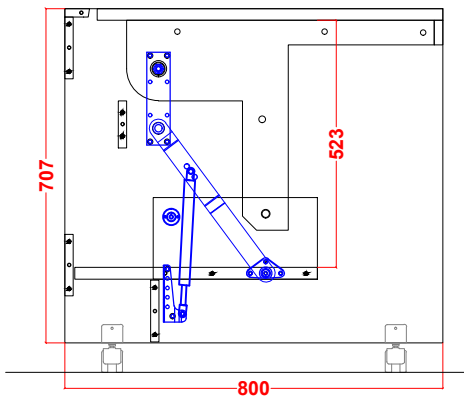
9	Desk Top	1
10	Desk Side	2



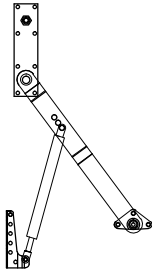
### DESK POSITION



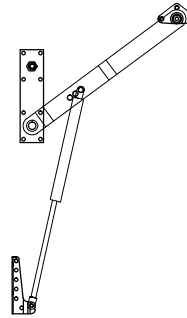
### TABLE POSITION



## TABLE POSITION



## DESK POSITION



TD 02 HD 513 x 1000 UV

Manufacturer to verify adequate drilling diameter and depth for screw or dowel length in every place.  
El fabricante deberá verificar el adecuado diámetro y profundidad de las perforaciones para cada tornillo o tarugo.

- Drill to drive a screw position
- Drill for screw through position.

Name	Code	Dimension	Quantity	Sketch
Confirmat	H2	7 x 70	18	
Flat Head Allen & Sleeves	H11	M6 x 20	12	
Dowel		8 x 30	20	
Screw, Ph head	H4	4,5 x 16	2	
Minifix	H44	REFERENCE HAFFLE'S 262.17.710 / 262.27.029	10	

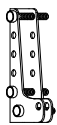
Drawing	Screw	Quantity
1	H2 H11	10 12
2		8
3	 H44	4 1
4	---	---
5		4
6	H44	6
7	---	---
8	H44	3
9		4
10	H2 H4	8 2
TOTAL		62

OPTIONAL		Dimension	Quantity	Sketch
Wheel with U-Bracket		Wheel Ø2" U - Dim 3/4" Brake	4	

## MECHANISM FIXING

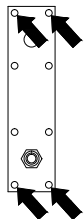
S2 SCREWS RESUME:  
(INCLUDED IN S1)

### Carapaces



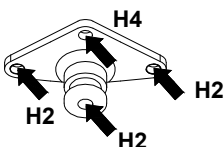
Name	Code	Dimension	Quantity	Sketch
Flat Head Allen & Sleeves	H11	M6 x 20	4	

### Plate



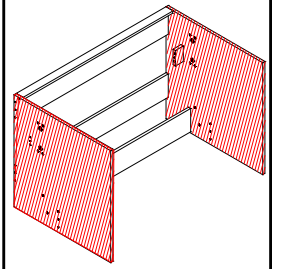
Name	Code	Dimension	Quantity	Sketch
Flat Head Allen & Sleeves	H11	M6 x 20	8	

### Tribearer



Name	Code	Dimension	Quantity	Sketch
Confirmat	H2	7 x 70	4	
Screw, Ph head	H4	4,5 x 16	2	

TD 02 HD 513 x 1000 UV

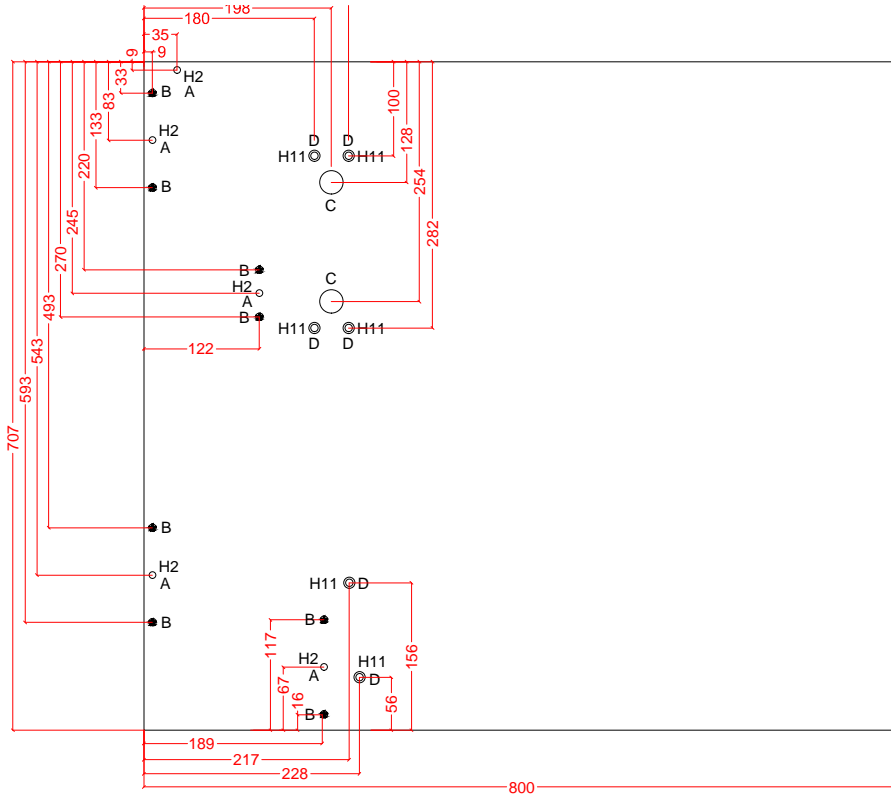


Part: Body Side (1)

Material: MDF

Thick: 18mm

Quantity: 2



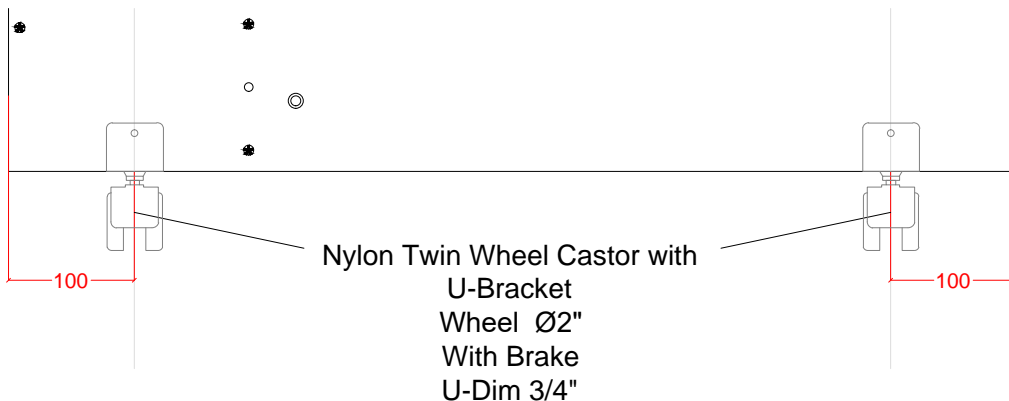
SCREW HEADS

H2 5 X 2

H11 6 X 2

PERFORATION

		PASS
A	7	
B	8	10
C	25	10
D	8	15
	12	2



**Hiddenbed**™  
PATENTED SYSTEM  
© HIDDENBED 2003

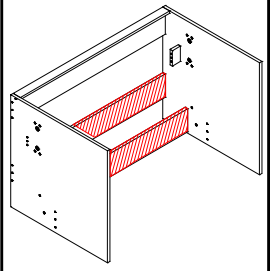
CONFIDENTIAL DRAWINGS  
ALL REPRODUCTION PROHIBITED

Date: 11/07/2018

**TD 02 HD 513 x 1000 UV**

DESK 515 x 1000

TD 02 HD 513 x 1000 UV



Part: Bottom stretcher (2)

Material: MDF

Thick: 18mm

Quantity: 2

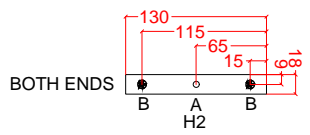
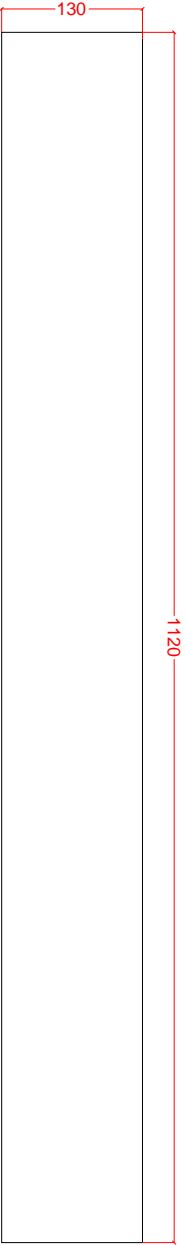
SCREW HEADS



4 x 2

PERFORATION

A	5.5	70
B	8	20



**Hiddenbed**™  
 PATENTED SYSTEM  
 © HIDDENBED 2003

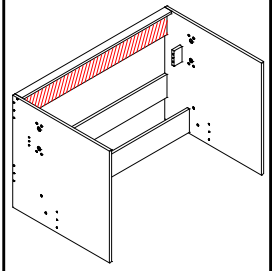
CONFIDENTIAL DRAWINGS  
 ALL REPRODUCTION PROHIBITED

Date: 11/07/2018

**TD 02 HD 513 x 1000 UV**

DESK 515 x 1000

TD 02 HD 513 x 1000 UV



Part:Body Back Upper(3)

Material: MDF

Thick: 18mm

Quantity: 1

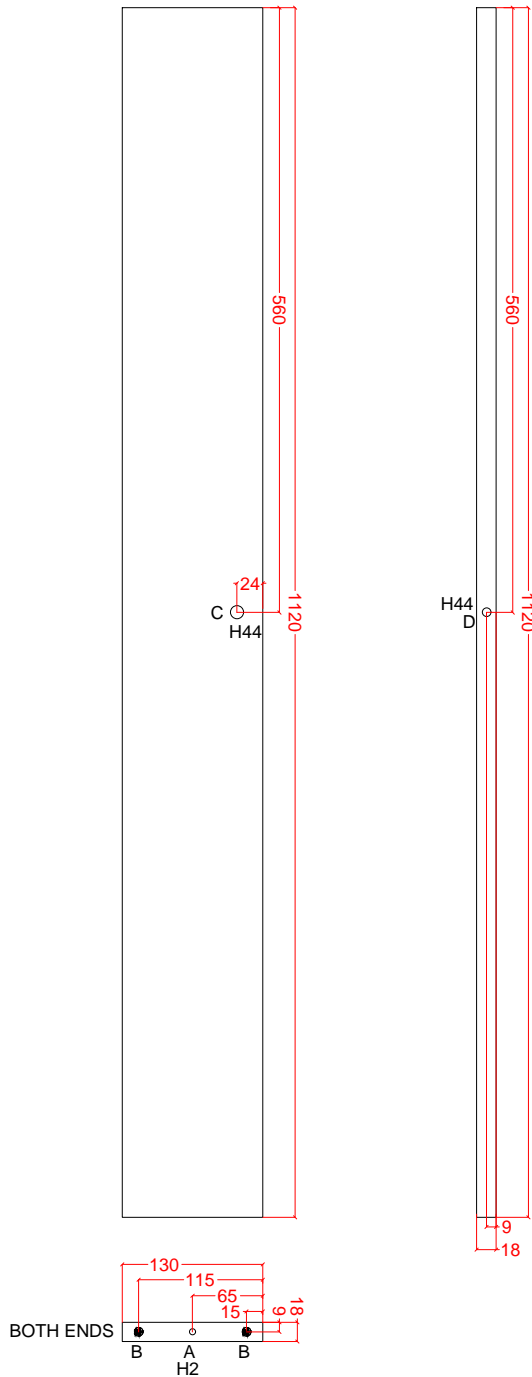
SCREW HEADS

H44 1

 4

PERFORATION

A	5.5	70
B	8	20
C	12	10,2
D	8	24



**Hiddenbed**™

PATENTED SYSTEM  
© HIDDENBED 2003

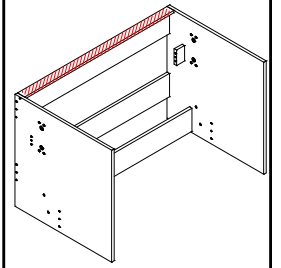
CONFIDENTIAL DRAWINGS  
ALL REPRODUCTION PROHIBITED

Date: 11/07/2018

**TD 02 HD 513 x 1000 UV**

DESK 515 x 1000

TD 02 HD 513 x 1000 UV



Part:Body Top (4)

Material: MDF

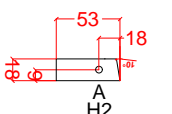
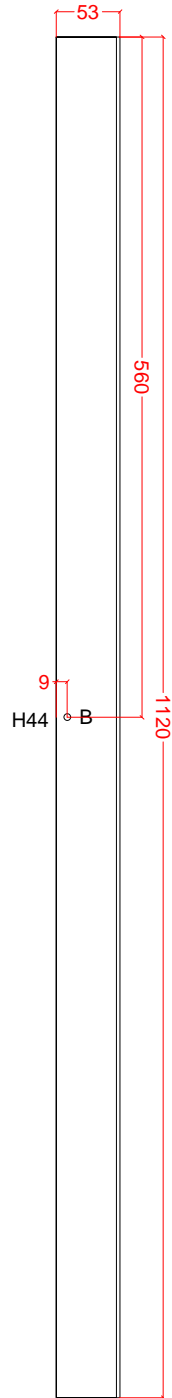
Thick: 18mm

Quantity: 1

SCREW HEADS

PERFORATION

A	5.5	70
B	5	12



BOTH ENDS

**Hiddenbed**™  
PATENTED SYSTEM  
© HIDDENBED 2003

CONFIDENTIAL DRAWINGS  
ALL REPRODUCTION PROHIBITED

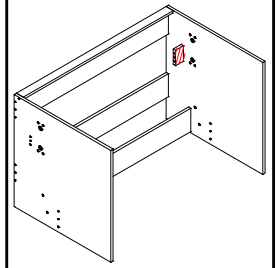
Date: 11/07/2018

**TD 02 HD 513 x 1000 UV**

DESK 515 x 1000



TD 02 HD 513 x 1000 UV

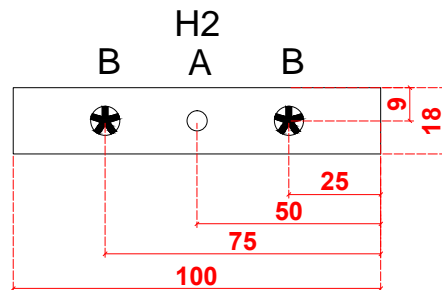
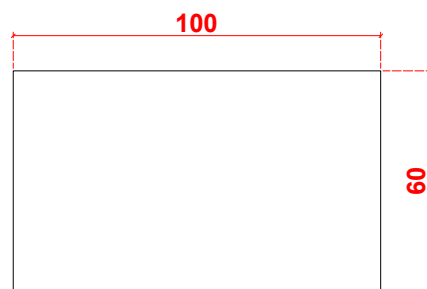


Part: Stop (5)

Material: MDF

Thick: 18mm

Quantity: 2



SCREW HEADS



2 x 2

PERFORATION

	A	5.5	53
	B	8	20

**Hiddenbed**™  
 PATENTED SYSTEM  
 © HIDDENBED 2003

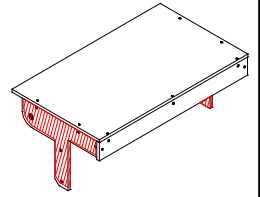
CONFIDENTIAL DRAWINGS  
 ALL REPRODUCTION PROHIBITED

Date: 11/07/2018

**TD 02 HD 513 x 1000 UV**

DESK 515 x 1000

TD 02 HD 513 x 1000 UV

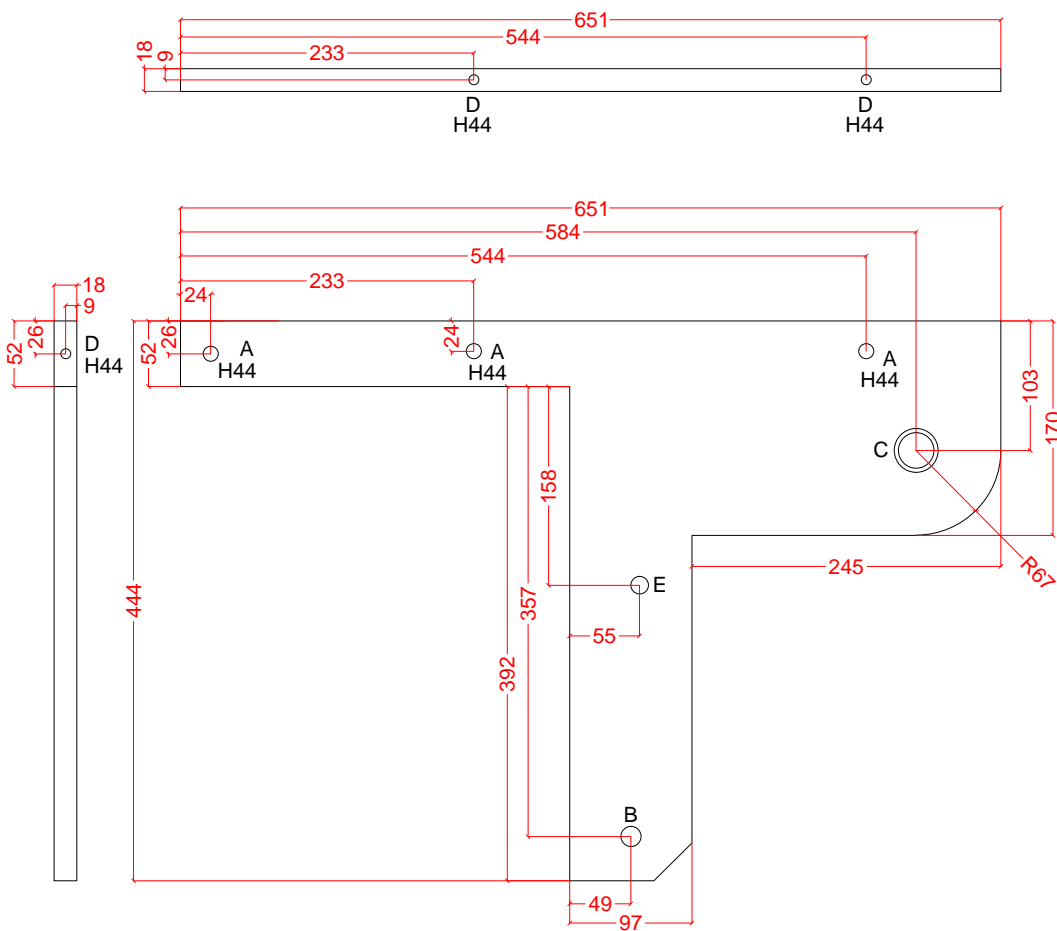


Part: Table Side (6)

Material: MDF

Thick: 18mm

Quantity: 2



SCREW HEADS

H44 3 X 2

PERFORATION

A	12	10,2
B	16	PASS
C	28	PASS
	35	2
D	8	24
E	14	15

**Hiddenbed**

PATENTED SYSTEM  
© HIDDENBED 2003

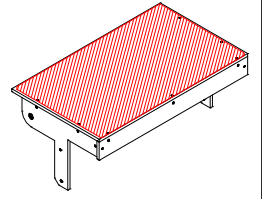
CONFIDENTIAL DRAWINGS  
ALL REPRODUCTION PROHIBITED

Date: 11/07/2018

**TD 02 HD 513 x 1000 UV**

DESK 515 x 1000

TD 02 HD 513 x 1000 UV

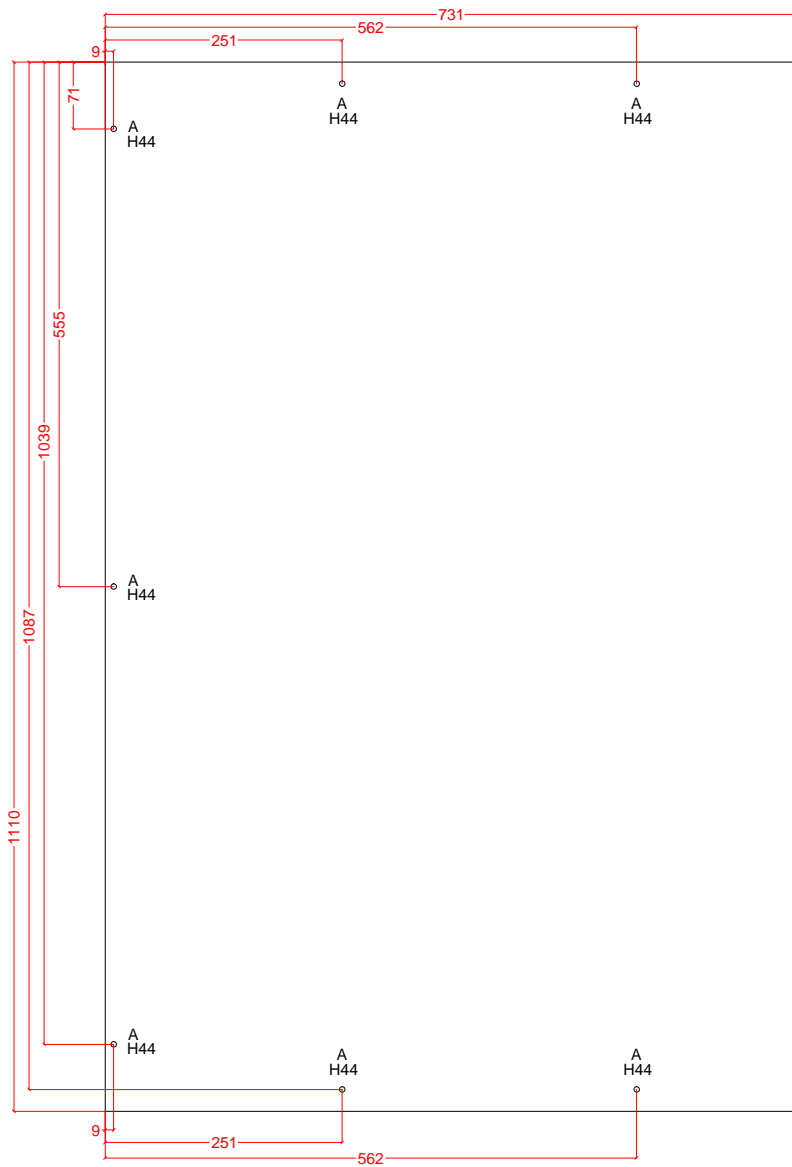


Part: Table Top (7)

Material: MDF

Thick: 25mm

Quantity: 1



SCREW HEADS

PERFORATION

A	5	12

**Hiddenbed**™  
PATENTED SYSTEM  
© HIDDENBED 2003

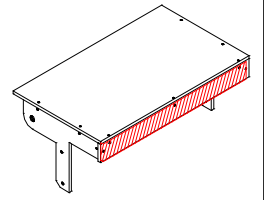
CONFIDENTIAL DRAWINGS  
ALL REPRODUCTION PROHIBITED

Date: 11/07/2018

**TD 02 HD 513 x 1000 UV**

DESK 515 x 1000

TD 02 HD 513 x 1000 UV



Part: Table Front (8)

Material: MDF

Thick: 18mm

Quantity: 1

SCREW HEADS

H44 3

PERFORATION

A	5	12
B	12	10,5
C	8	24

**Hiddenbed**™

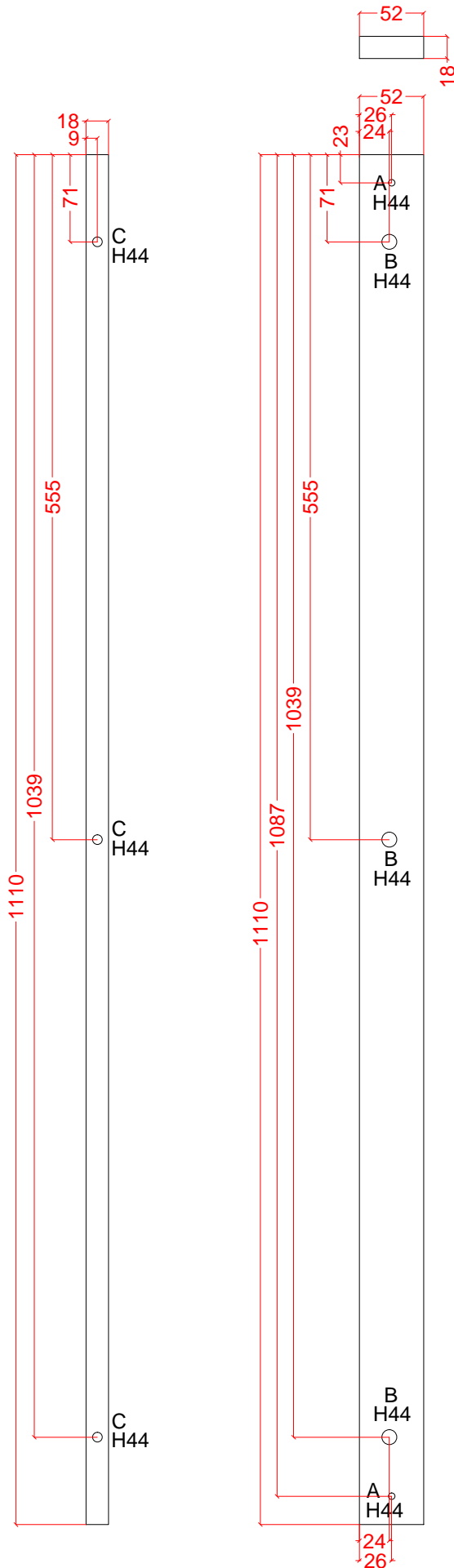
PATENTED SYSTEM  
© HIDDENBED 2003

CONFIDENTIAL DRAWINGS  
ALL REPRODUCTION PROHIBITED

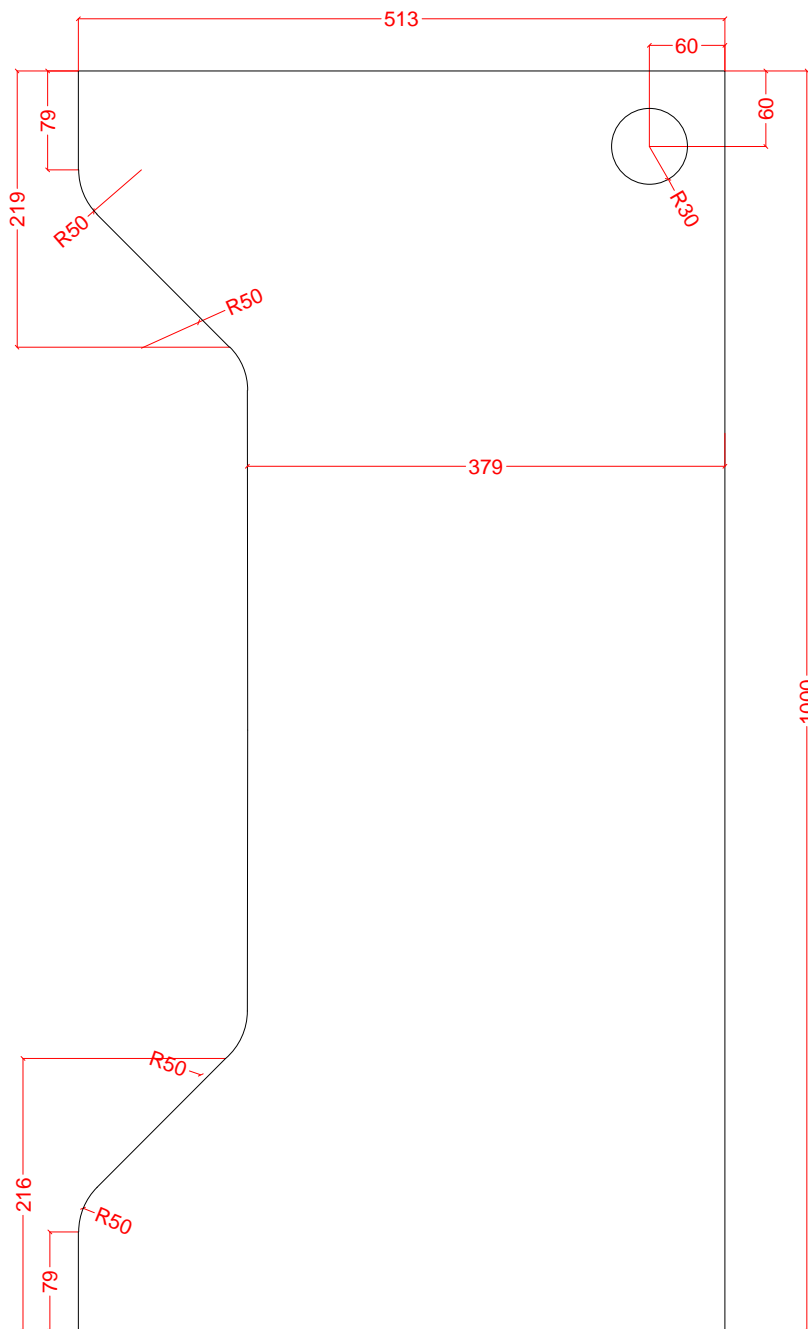
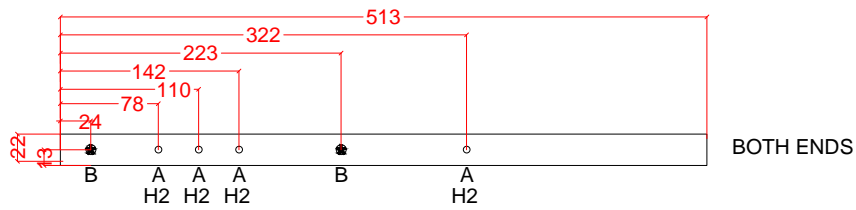
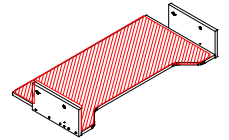
Date: 11/07/2018

**TD 02 HD 513 x 1000 UV**

DESK 515 x 1000



TD 02 HD 513 x 1000 UV



Part: Desk Top (9)

Material: MDF

Thick: 25mm

Quantity: 1

SCREW HEADS



4

PERFORATION

A	5.5	70
B	8	20

Hiddenbed

PATENTED SYSTEM  
© HIDDENBED 2003

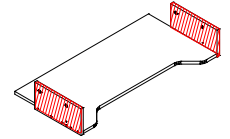
CONFIDENTIAL DRAWINGS  
ALL REPRODUCTION PROHIBITED

Date: 11/07/2018

TD 02 HD 513 x 1000 UV

DESK 515 x 1000

TD 02 HD 513 x 1000 UV



Part: Desk Side (10)

Material: MDF

Thick: 18mm

Quantity: 2

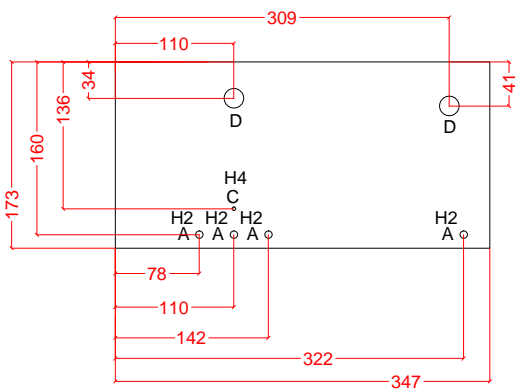
SCREW HEADS

H2 4 x 2

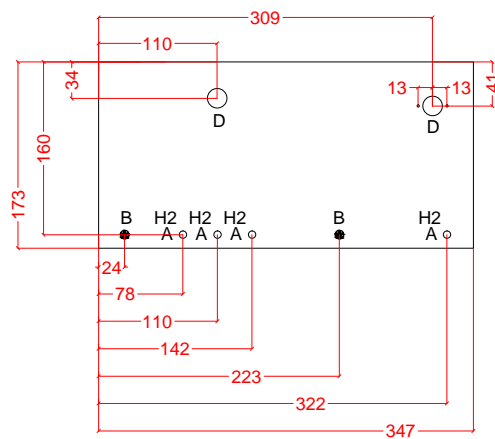
H4 1 x 2

PERFORATION

A	7	PASS
B	8	10
C	3	2
D	18	PASS



OUTSIDE VIEW  
VISTA EXTERIOR



INSIDE VIEW  
VISTA INTERIOR

**Hiddenbed** 

PATENTED SYSTEM  
© HIDDENBED 2003

CONFIDENTIAL DRAWINGS  
ALL REPRODUCTION PROHIBITED

Date: 11/07/2018

**TD 02 HD 513 x 1000 UV**

DESK 515 x 1000