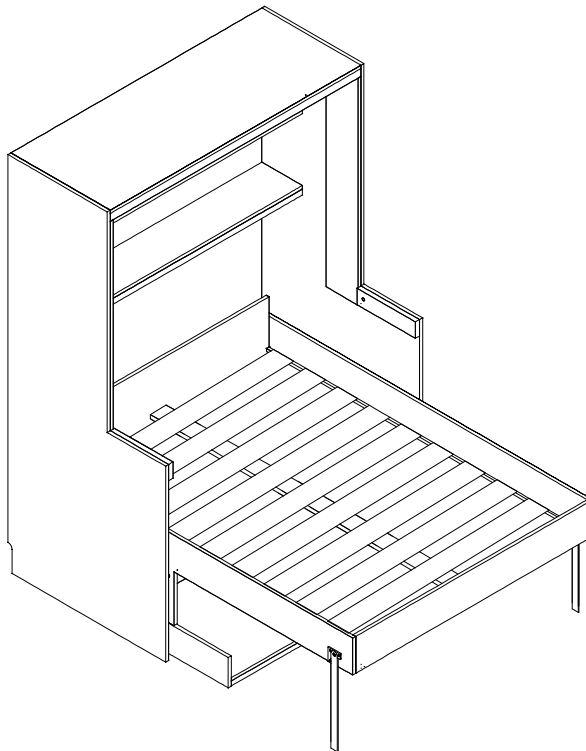
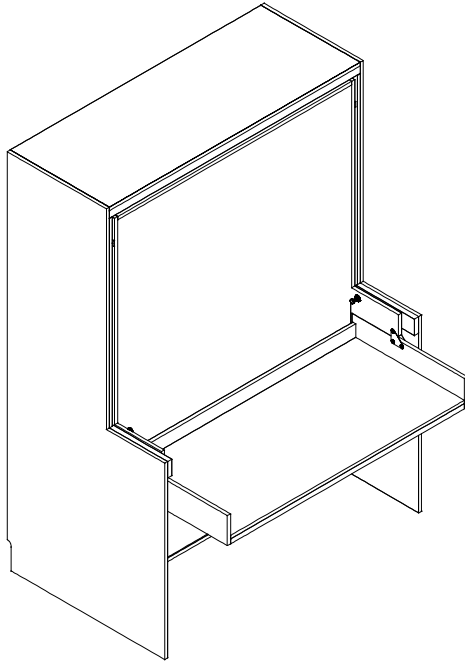


Hiddenbed ™



MAJESTIC
2000 x 1400

PRODUCTION DRAWINGS - MODEL MAJESTIC SQUARE

TD 50 MA 1400 x 2000 PPU

All rights reserved.

Important Measurements (unit: milimeters)		Longitudinal Parts Lenght Largo Partes Longitudinales	
		Mattress lodge Alojamiento colchón	1400 x 2000
Height for mattress bed raised Altura para colchón	320	Bedrail Thickness 2 x 18 Espesor Largueros	36
		Mechanism Clearance Luz para Mecanismo 32 x 2	64
Clearance over desk Altura libre sobre escritorio	348	Shelves Estantes	1500
		Low Stretcher Separador Inferior	1500

Drawings Index Indice de Planos

A - Parts List: Body, Bed and Desk	/	Lista de Partes: Body, Bed and Desk
B - Desk Position	/	Posición Escritorio
C - Bed Position	/	Posición Cama
S - Furniture Screws	/	Tornillos para el Mueble
M - Mechanism	/	Mecanismo

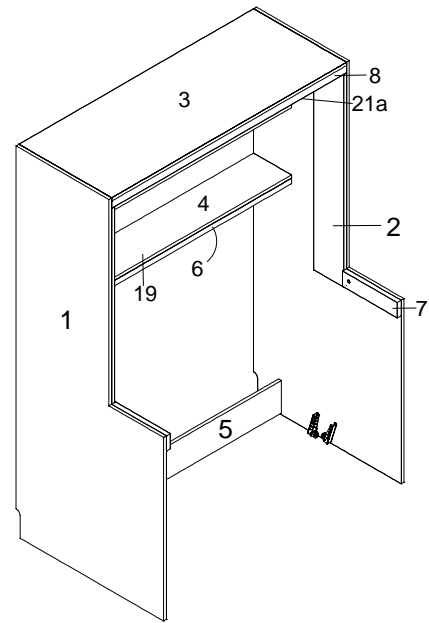


Technical drawing suggested.
They may change according to national safety regulations.
Manufacturer must assure the correct assembly of all parts.
Remember! reference for drilling are centers.

Planos sugeridos.
Pueden cambiar según las normas nacionales de seguridad.
El fabricante debe asegurar el correcto ensamblaje de las partes.
Nota! la referencia de las perforaciones es a los centros.

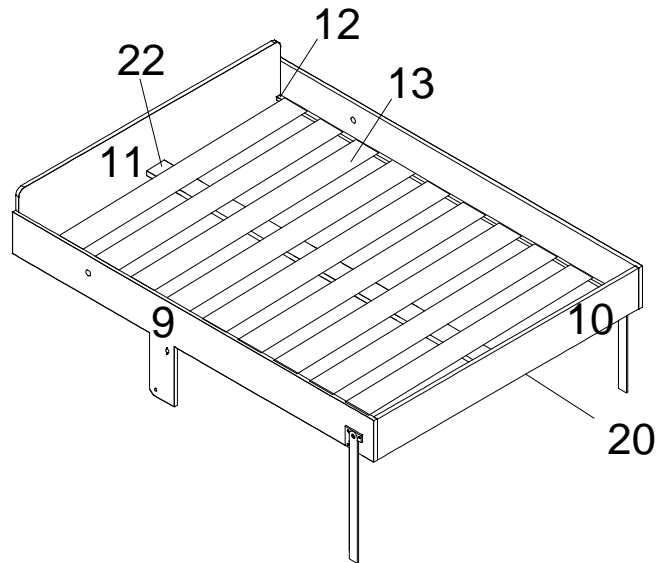
Body Parts List/ Lista de partes

Part N° N° de Pieza	Name Nombre	Qty. Cant.
1	Body Side L/R	2
2	Inner body side	2
3	Body Top	1
4	Shelf	2
5	Bottom Stretcher	1
6	Shelves Concealer	2
7	Concealer	2
8	Top Stretcher	2
19	Shelf Tube	4
21a	Stop	2



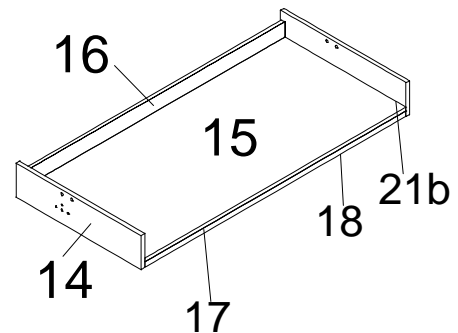
Bed Parts List/ Lista de partes

9	Bed Side	2
10	Bed Feet	1
11	Bed Head	1
12	Slats Cleats	2
13	Slats	9
20	Bed Cover	1
22	Slat Cleat B	1

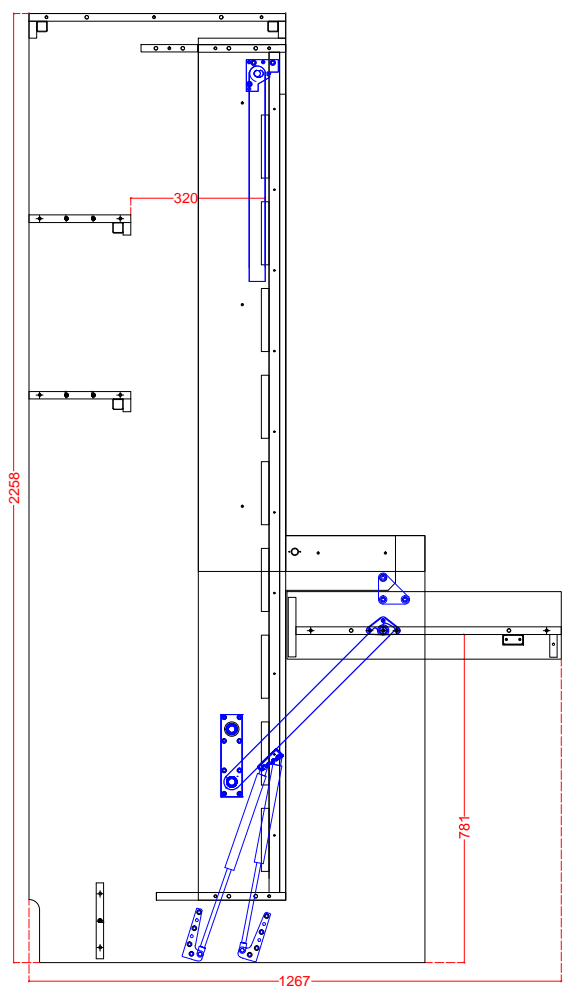
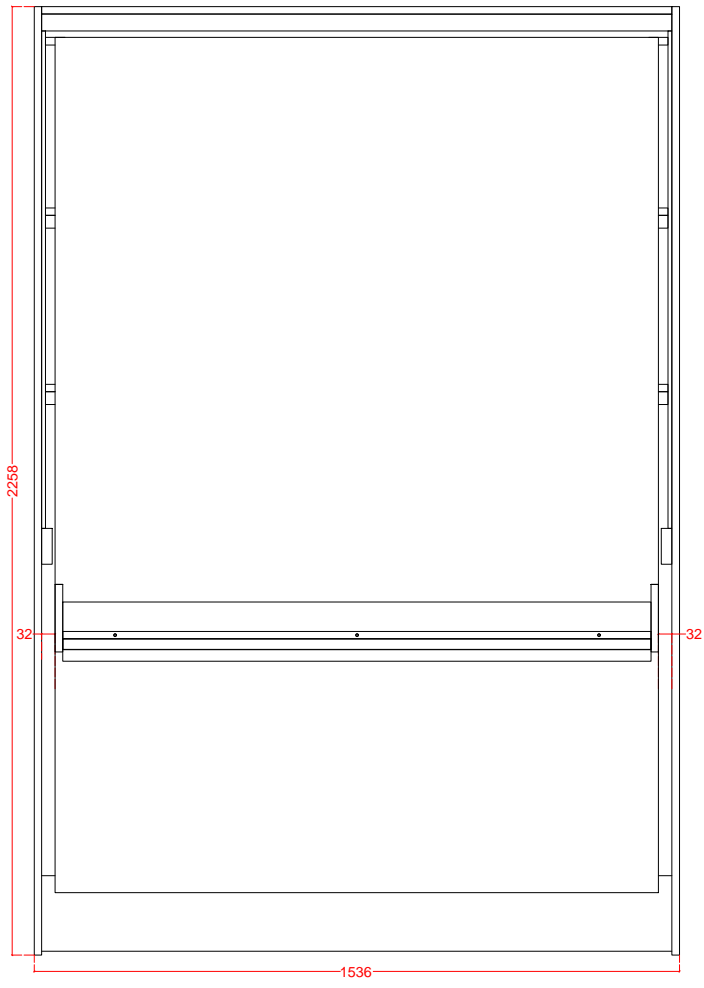


Desk Parts List/ Lista de partes

14	Desk Side	2
15	Desk Top	1
16	Desk Back	1
17	Desk Tube Cover	1
18	Desk Tube	1
21b	Wood Plug	2

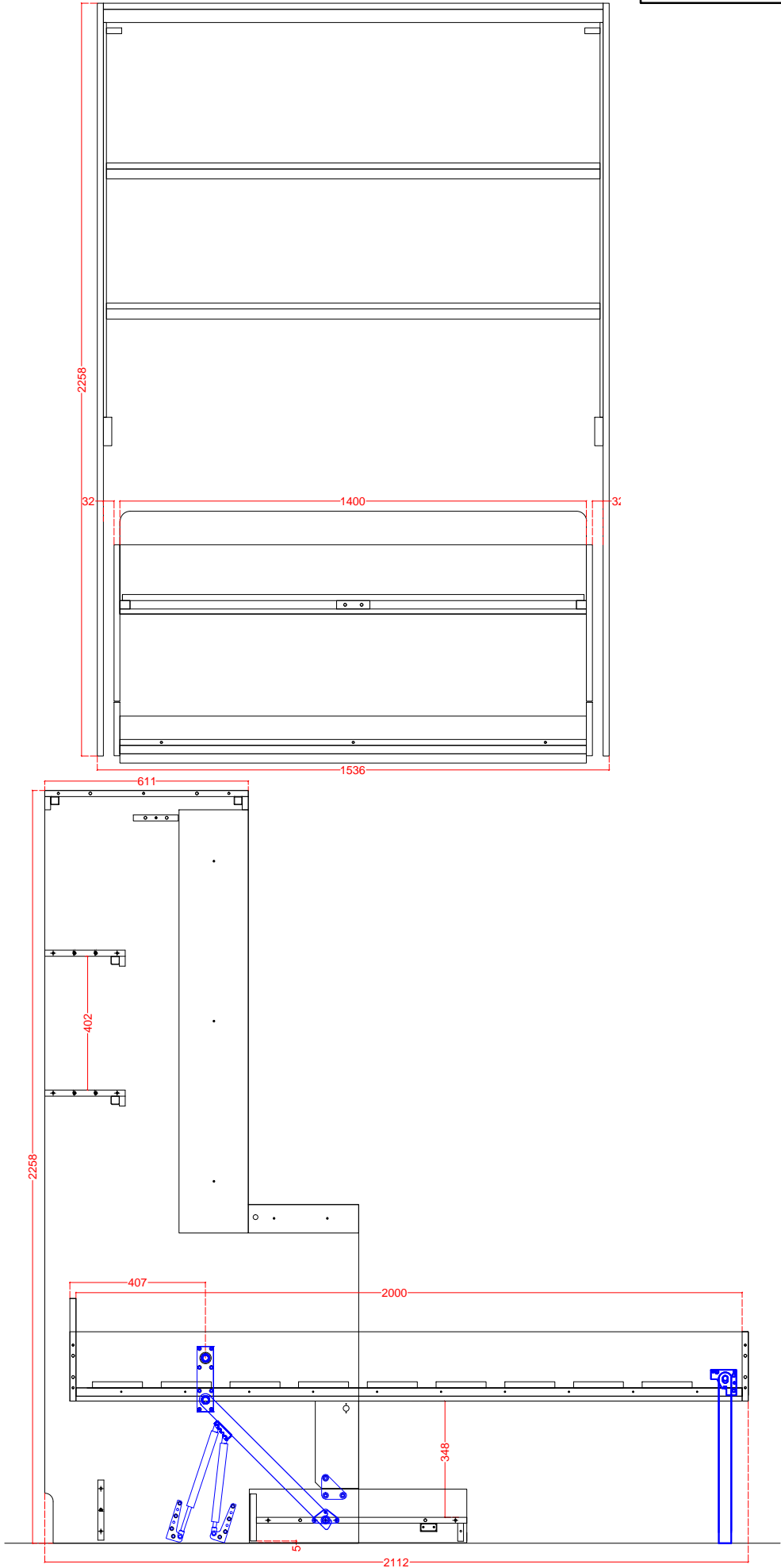


DESK POSITION



BED POSITION

TD 50 MA 1400 x 2000 PPU



CONFIDENTIAL DRAWINGS
ALL REPRODUCTION PROHIBITED

Hiddenbed™ PATENTED SYSTEM
© HIDDENBED 2003

DATE
FECHA

24/11/2020

CODE NUMBER
Nº DE CÓDIGO

TD 50 MA 1400 x 2000 PPU

PART Nº
Nº DE PARTE

C

Manufacturer to verify adequate drilling diameter and depth for screw or dowel length in every place.
El fabricante deberá verificar el adecuado diámetro y profundidad de las perforaciones para cada tornillo o tarugo.

+

Drill to drive a screw position

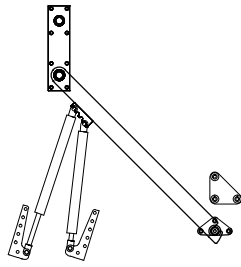
○

Drill for screw through position.

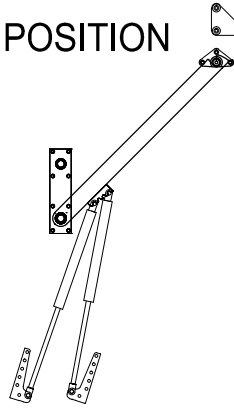
Name	Code	Dimension	Quantity	Sketch
Confirmat	H2	7 x 70	41	
Round Head Allen & T nut	H12	6 X 30	6	
Screw, Ph Head	H10	4,5 x 45	20	
Screw, Ph head	H4	3,5 x 16	4	
Flat Head Allen & T nut	H11	6 x 15	32	
Dowel		8 x 30	34	
Minifix	H44	REFERENCE HAFPLE'S 262.17.710 AND 262.27.029	5	
Screw, Ph head	H14	4,5x35	105	
Screw, Ph head	H9	4,5x20	8	

Drawing	Screw	Quantity
1	H2 H11	20 32
2	H9	6
3	 H14	4 12
4		8
5		2
6	H14	12
7	H14	4
8	---	---
9	H2 H4 H12	8 4 6
10		4
11		4
12	H10	20
13	H14	27
14	H2 H9	10 2
15		4
16	H2	3
17	H44	5
18	---	---
19	H14	16
20	H14	30
21	H14 	4 4
22		4
	TOTAL	255

BED POSITION



DESK POSITION

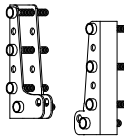


TD 50 MA 1400 x 2000 PPU

MECHANISM FIXING

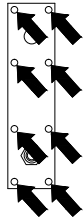
S2 SCREWS RESUME:
(INCLUDED IN S1)

Carapaces



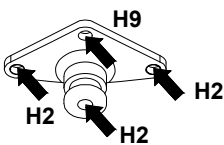
Name	Code	Dimension	Quantity	Sketch
Flat Head Allen & T nut	H11	6 x 15	16	

Plate



Name	Code	Dimension	Quantity	Sketch
Flat Head Allen & T nut	H11	6 x 15	16	

Tribearer

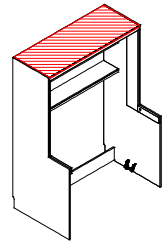


Name	Code	Dimension	Quantity	Sketch
Screw, Ph head	H9	4,5x20	2	
Confirmat	H2	7 x 70	6	

Leg



Name	Code	Dimension	Quantity	Sketch
Round Head Allen & T nut	H12	6 x 30	6	




Part: Body Top (3)

Material: MDF

Thick: 18mm

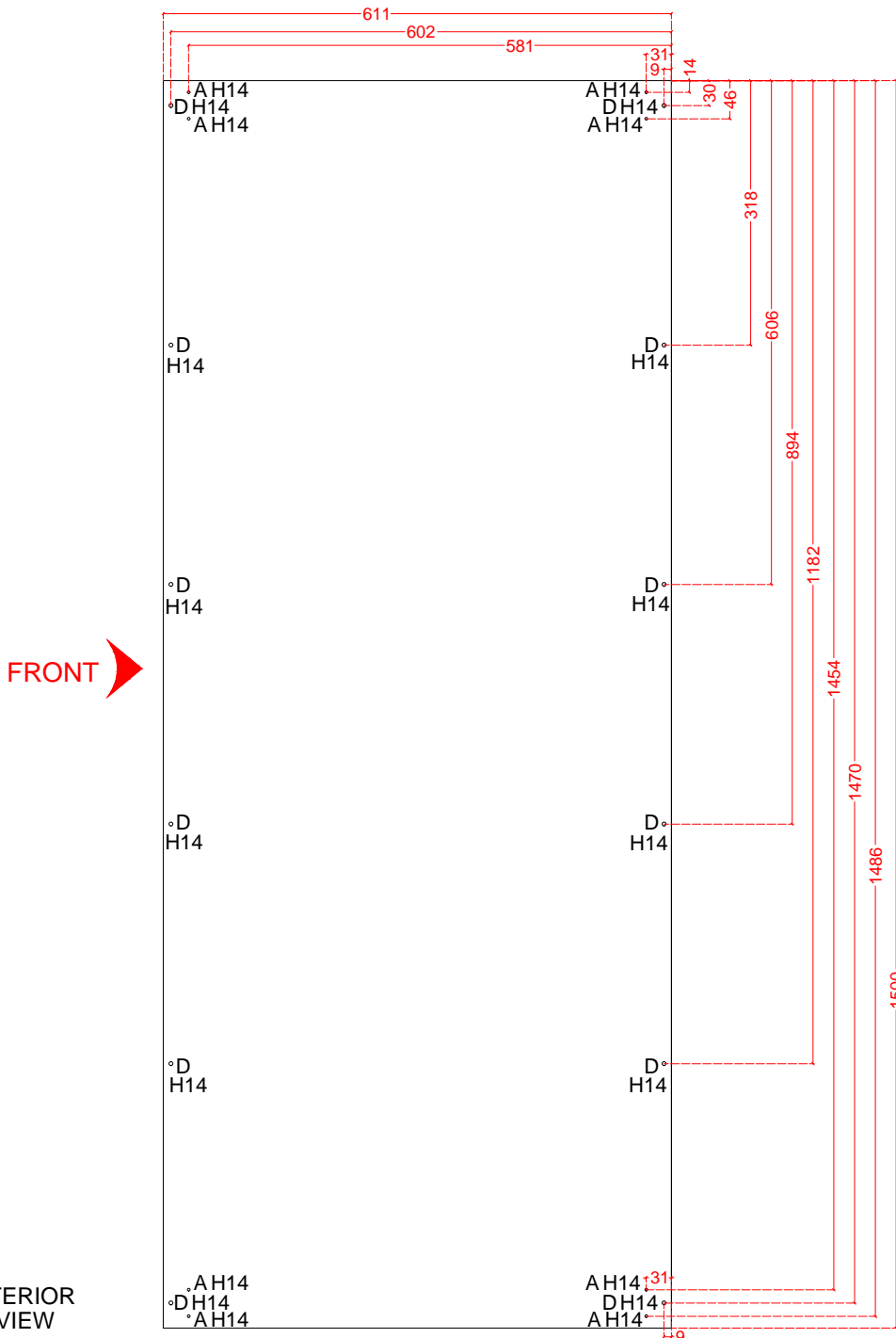
Quantity: 1

SCREW HEADS

	4
H14	12

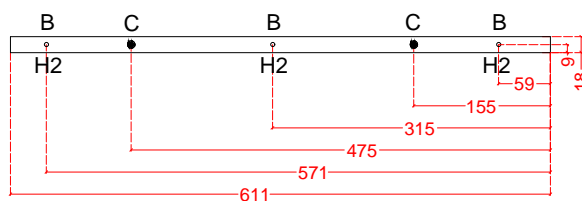
PERFORATION

A	3	2
B	5.5	70
C	8	22
D	5	PASS



VISTA INFERIOR
BOTTOM VIEW

BOTH ENDS
AMBOS EXTREMOS



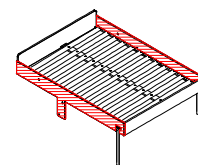
Hiddenbed 

PATENTED SYSTEM
© HIDDENBED 2003

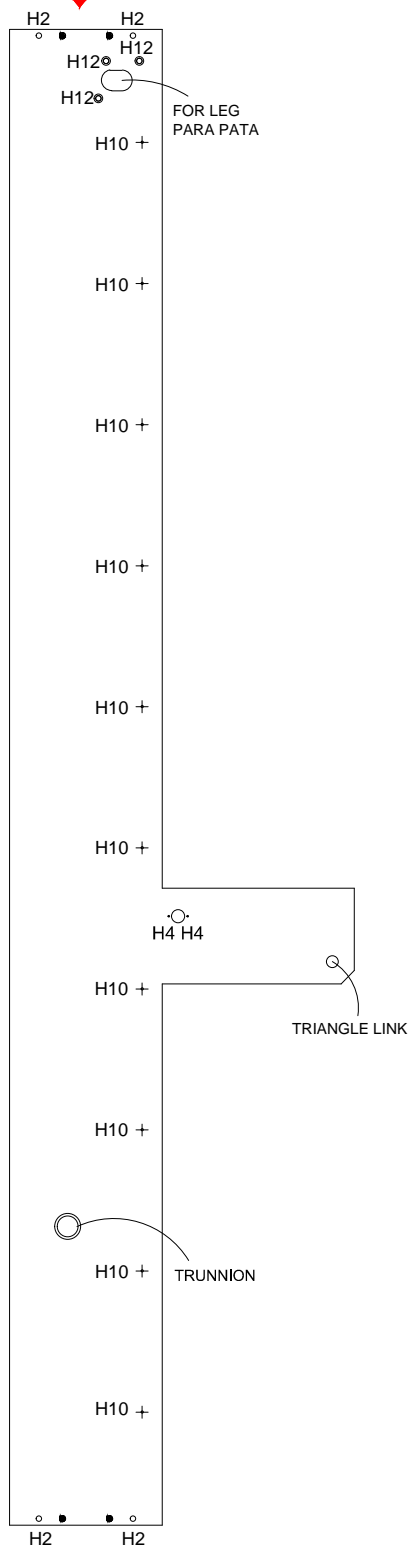
CONFIDENTIAL DRAWINGS
ALL REPRODUCTION PROHIBITED

Date: 24/11/2020

TD 50 MA 1400 x 2000 PPU



FRONT



Part: Bed Side (9)

Material: MDF

Thick: 18mm

Quantity: 2

SCREW HEADS

H2 4 X 2

H4 2 x 2

H12 3 x 2

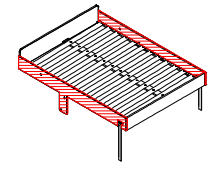
PERFORATION

Hiddenbed™

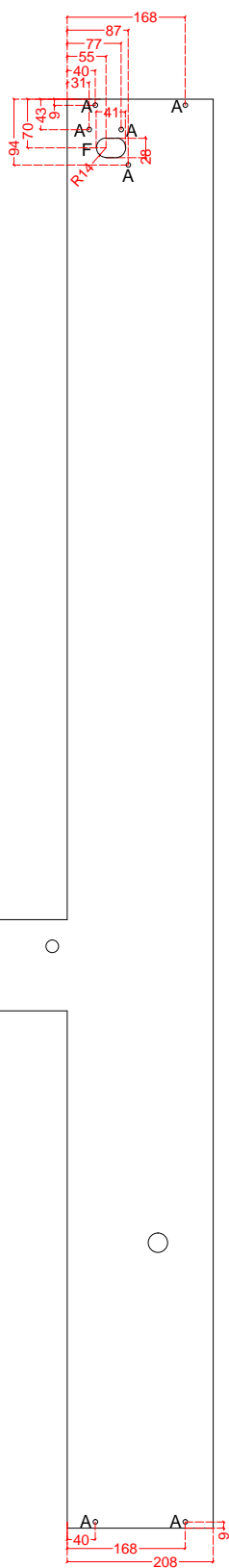
PATENTED SYSTEM
© HIDDENBED 2003

CONFIDENTIAL DRAWINGS
ALL REPRODUCTION PROHIBITED

Date: 24/11/2020

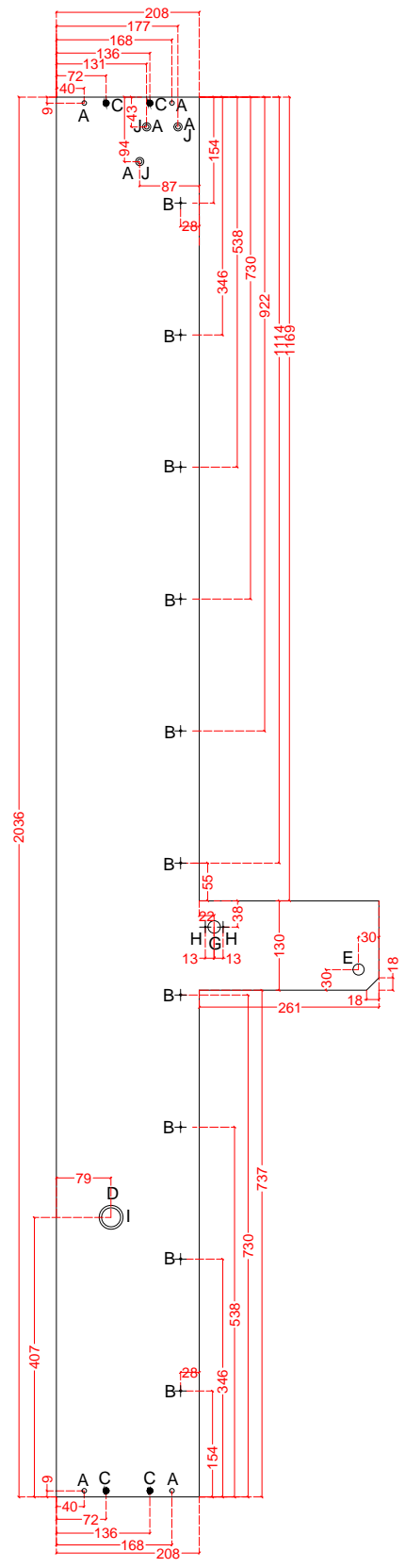


FRONT



OUTSIDE VIEW
VISTA EXTERIOR

FRONT



INSIDE VIEW
VISTA INTERIOR

TOP

SCREW HEADS

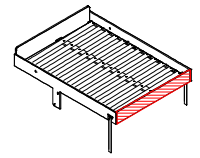
PERFORATION

A	7	PASS
B	3	2
C	8	10
D	28	PASS
E	16	PASS
F	28	5
G	18	PASS
H	2	15
I	35	2
J	12	2

Hiddenbed™
 PATENTED SYSTEM
 © HIDDENBED 2003


CONFIDENTIAL DRAWINGS
 ALL REPRODUCTION PROHIBITED

Date: 24/11/2020



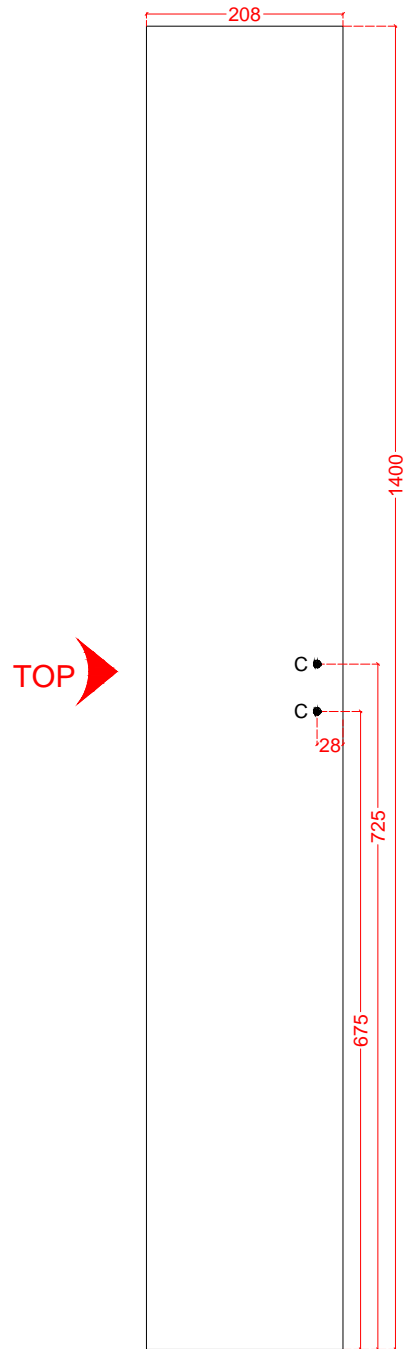
Part: Bed Feet (10)
 Material: MDF
 Thick: 18mm
 Quantity: 1

SCREW HEADS

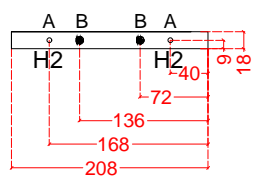
	4
---	---

PERFORATION

A	5.5	70
B	8	22
C	8	10



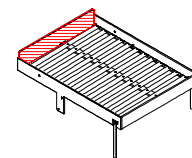
**BOTH ENDS
 AMBOS EXTREMOS**



Hiddenbed  TM
 PATENTED SYSTEM
 © HIDDENBED 2003

CONFIDENTIAL DRAWINGS
 ALL REPRODUCTION PROHIBITED

Date: 24/11/2020



Part: Bed Head (11)

Material: MDF

Thick: 18mm

Quantity: 1

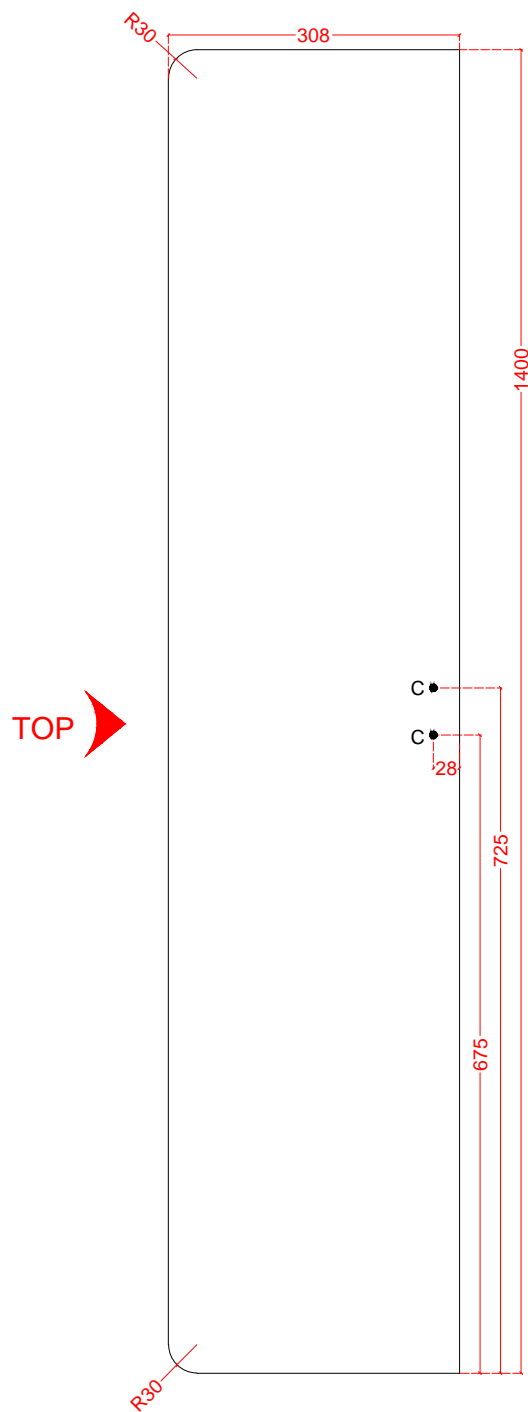
SCREW HEADS



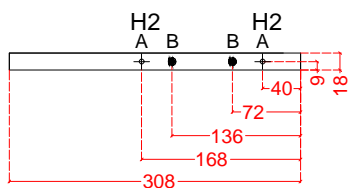
4

PERFORATION

A	5.5	70
B	8	22
C	8	10



**BOTH ENDS
AMBOS EXTREMOS**

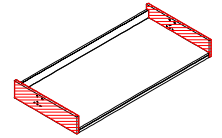


Hiddenbed™

PATENTED SYSTEM
© HIDDENBED 2003

CONFIDENTIAL DRAWINGS
ALL REPRODUCTION PROHIBITED

Date: 24/11/2020



Part: Desk Side (14)

Material: MDF

Thick: 18mm

Quantity: 2

SCREW HEADS

H2 5 x 2

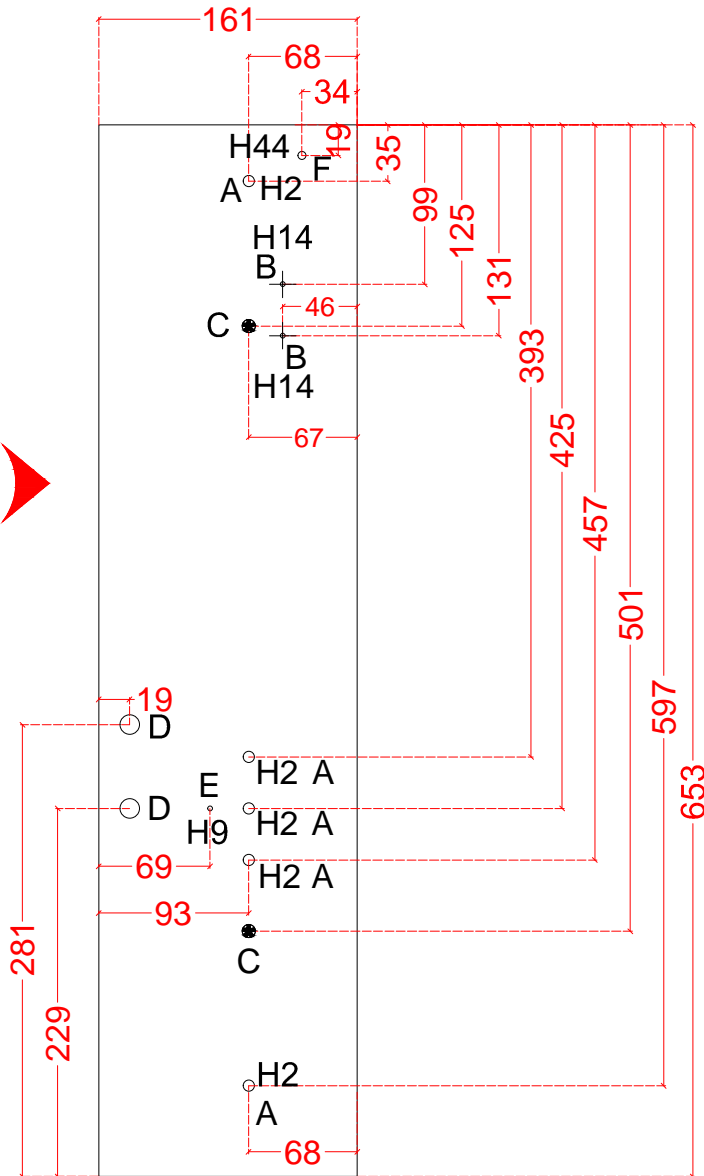
H9 1 x 2

PERFORATION

A	7	PASS
B	3	2
C	8	16
D	12	PASS
E	3	15
F	5	11

FRONT

TOP



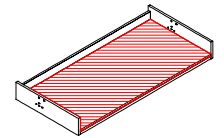
INSIDE VIEW
VISTA INTERIOR

Hiddenbed ™

PATENTED SYSTEM
© HIDDENBED 2003

CONFIDENTIAL DRAWINGS
ALL REPRODUCTION PROHIBITED

Date: 24/11/2020



Part: Desk Top (15)

Material: MDF

Thick: 18mm

Quantity: 1

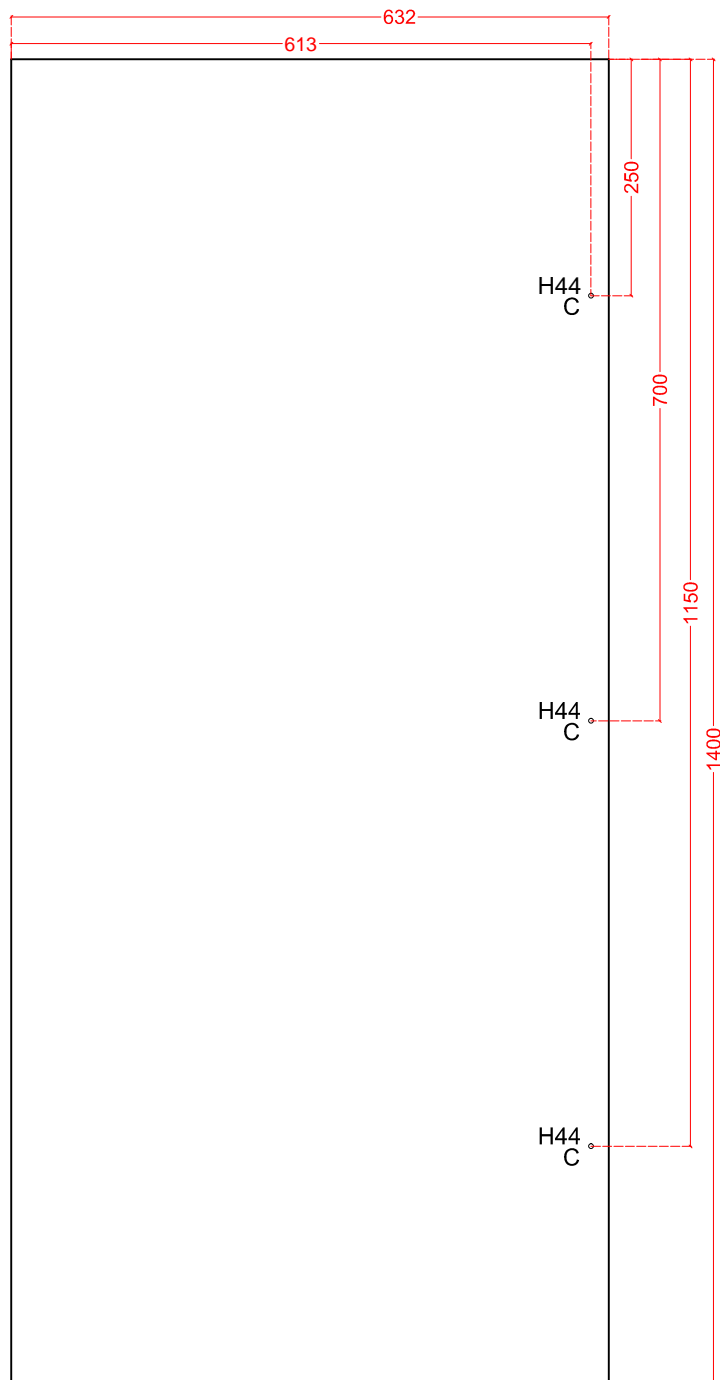
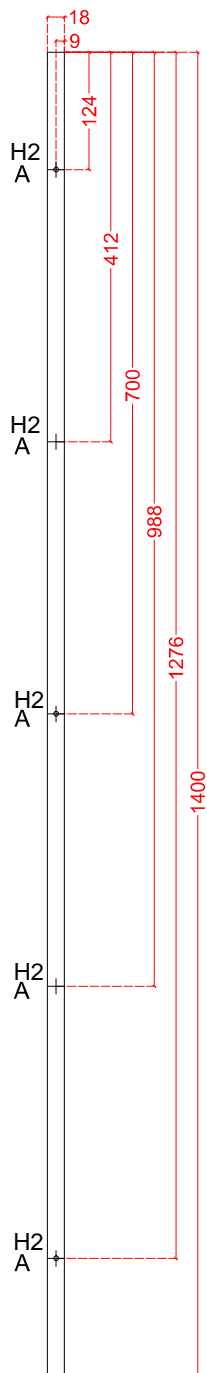
SCREW HEADS



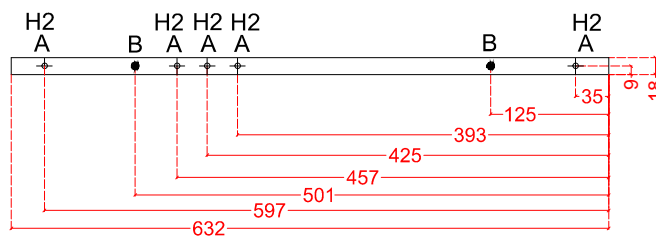
2 X 2

PERFORATION

A	5.5	70
B	8	22
C	5	12



**BOTH ENDS
AMBOS EXTREMOS**

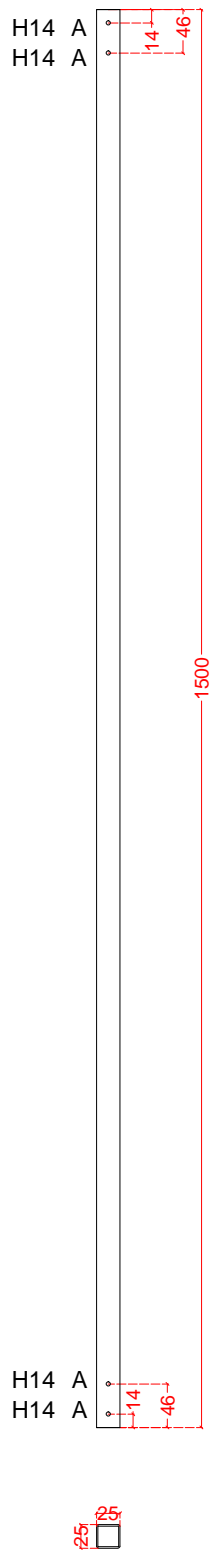
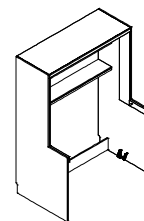


Hiddenbed™

PATENTED SYSTEM
© HIDDENBED 2003

CONFIDENTIAL DRAWINGS
ALL REPRODUCTION PROHIBITED

Date: 24/11/2020



Part: Shelf Stiffener(19)

Material: Steel Tube

Thick: 25 x 25 x 1.6

Quantity: 4

SCREW HEADS

H14 4 x4

PERFORATION

A	5	PASS
---	---	------

Hiddenbed™
 PATENTED SYSTEM
 © HIDDENBED 2003

CONFIDENTIAL DRAWINGS
 ALL REPRODUCTION PROHIBITED

Date: 24/11/2020

MANUFACTURING DATA
FICHA FABRICACIÓN

DATE FECHA	COMPANY NAME EMPRESA
CITY CIUDAD	COMPANY CONTACT CONTACTO FABRICA
ADDRESS DIRECCION	EMAIL
TEL	RESPONSABLE R&D
PICTURES IMAGENES	