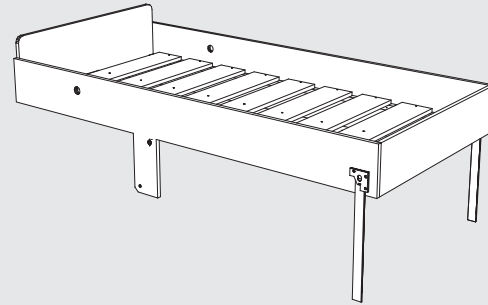
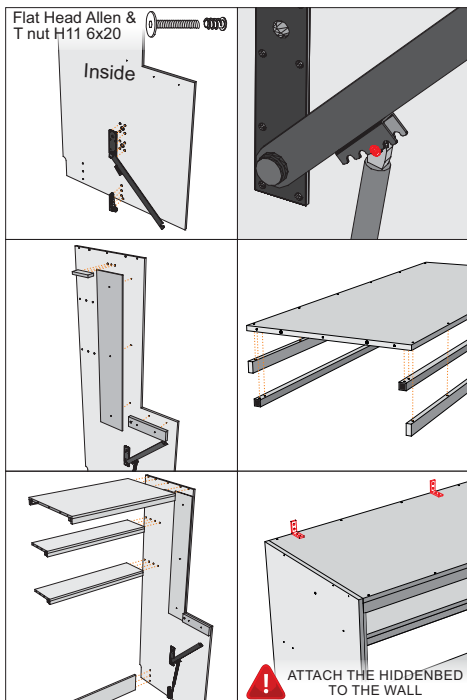
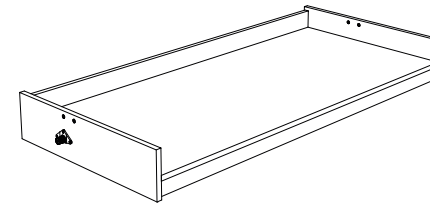
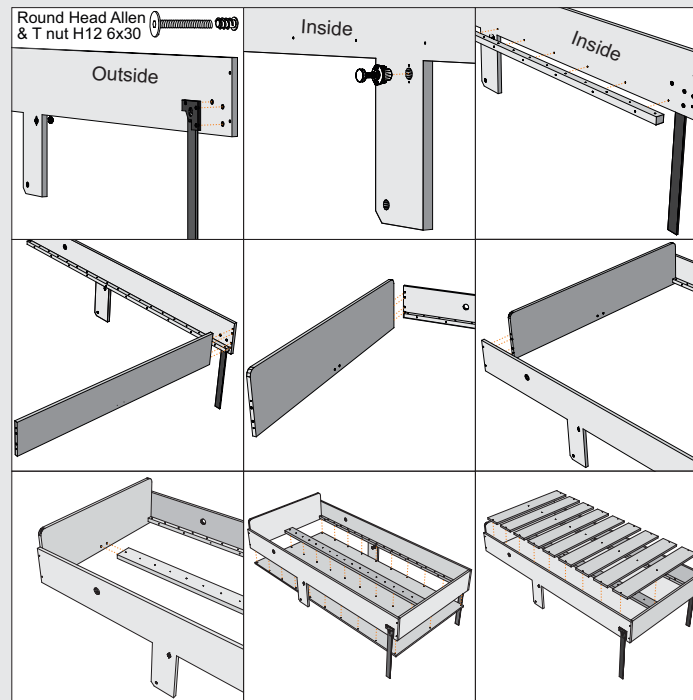


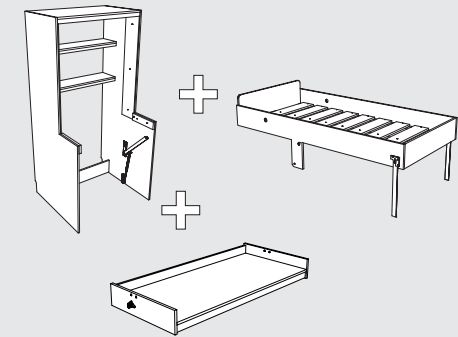
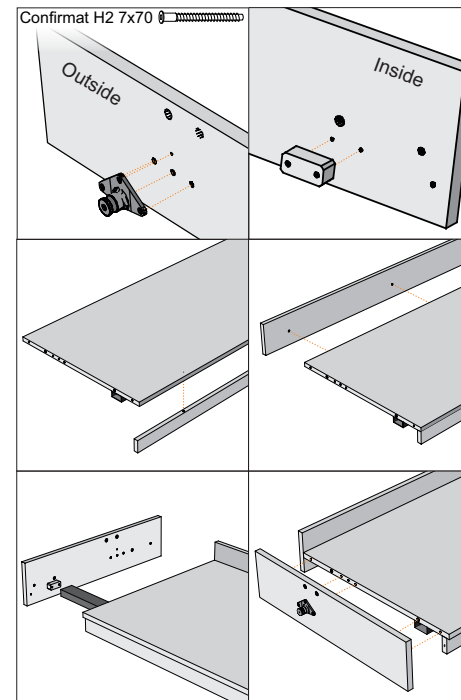
1 - MECHANISM + BODY ASSEMBLY



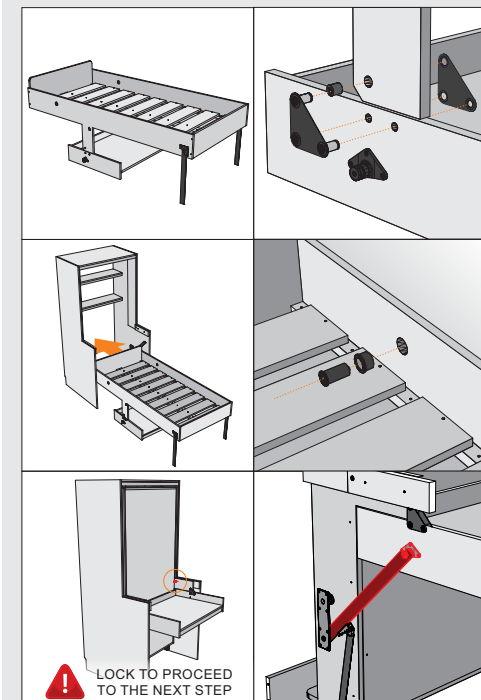
2 - BED ASSEMBLY



3 - DESK ASSEMBLY



4 - FINAL ASSEMBLY



TO OBTAIN A SAFE AND RELIABLE PERFORMANCE

Make sure that: ► The side panels are supported on the floor at the same level. ► Do not place a carpet beneath one side of the desk or body side alone. ► Stand at the middle of the furniture to make the transformation. ► Avoid excessive or too asymmetric loads on the desk. ► While lowering, please verify that the bed bottom does not touch any objects left on the desk. ► Take good care not to trap your fingers between any closing parts. ► Use always locking device.