



AVENTOS HF



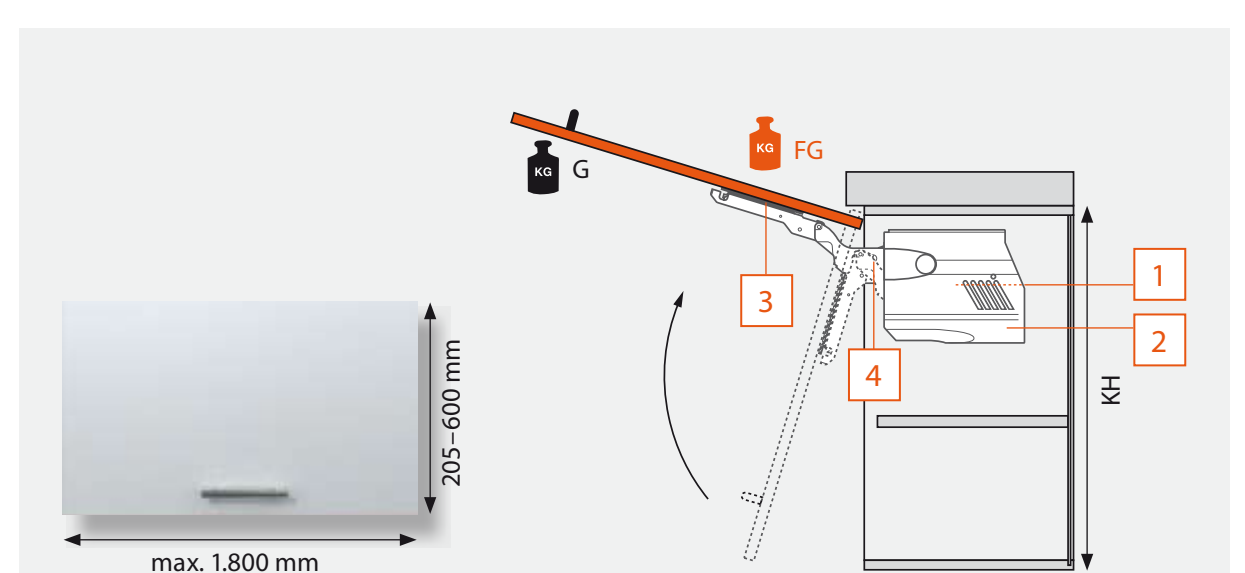
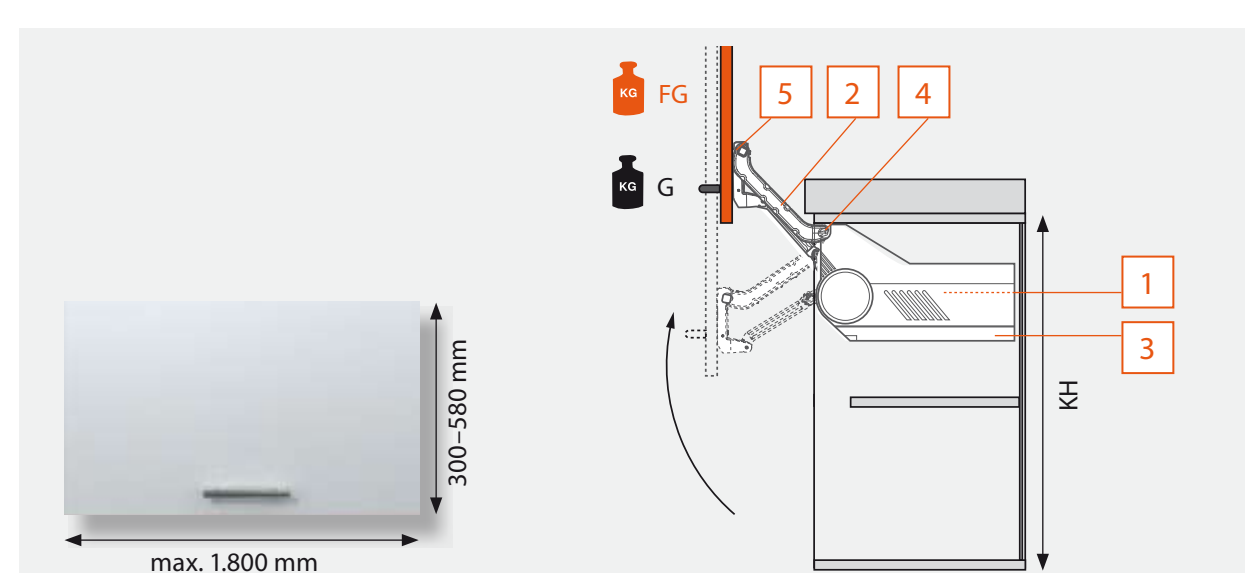
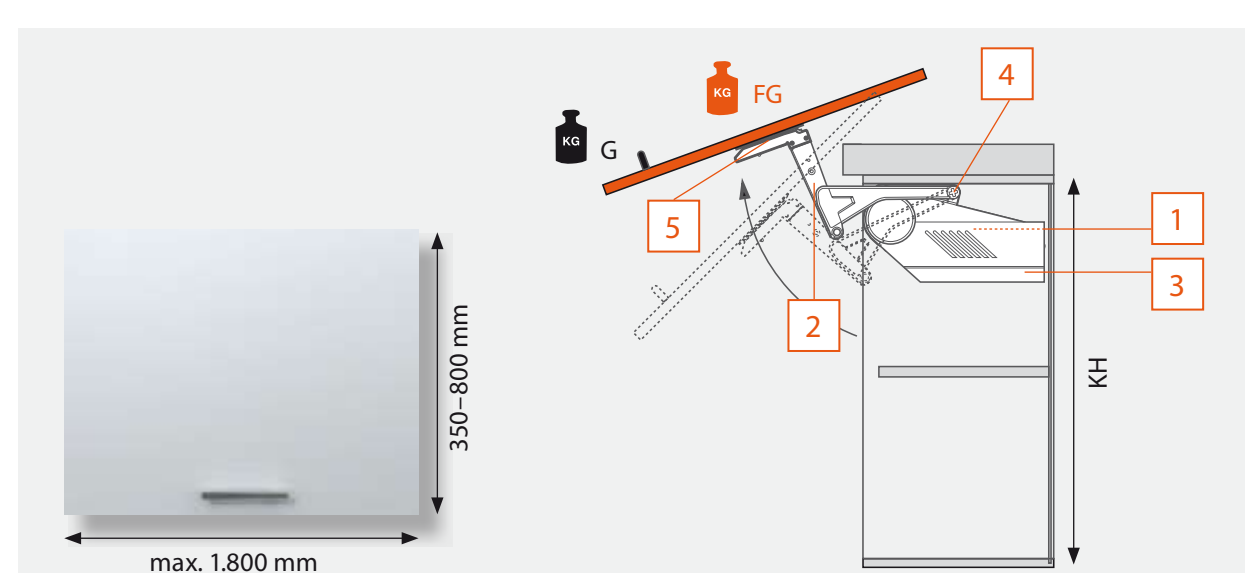
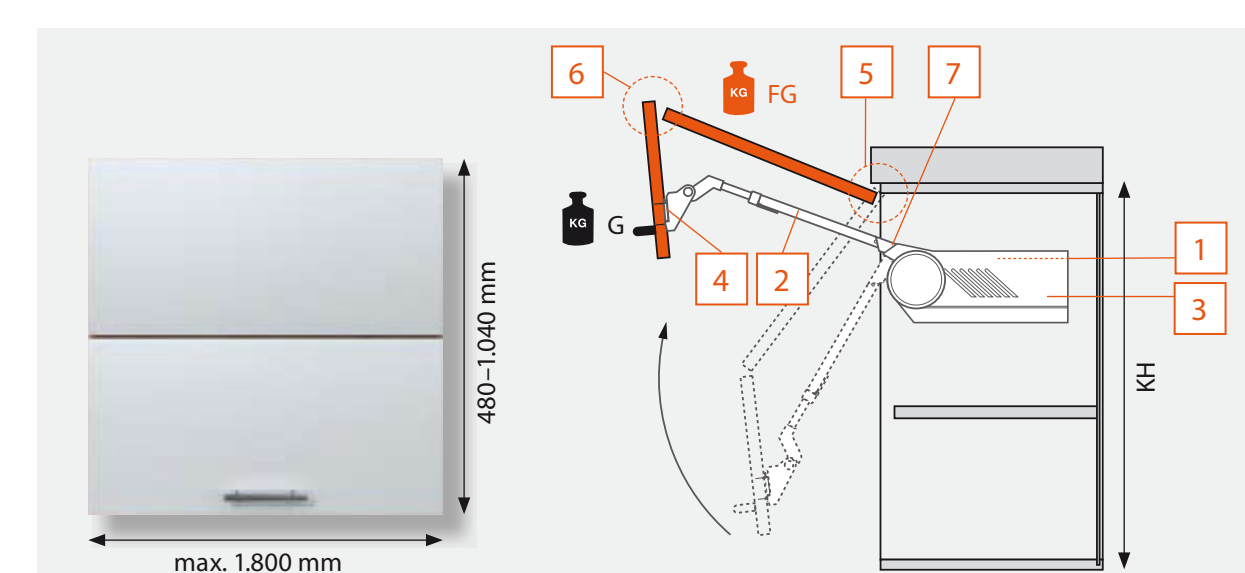
AVENTOS HS



AVENTOS HL



AVENTOS HK



LF

$$LF = KH [mm] \times (FG [kg] + 1 \times G [kg])$$

LF 2.600-5.500 **LF 9.000-17.250**

20F2200.05 **20F2200.05** **20F2500.05** **20F2800.05**

LF 960-2.650 **LF 5.350-10.150** **LF 13.500-25.900**

Kraftspeicher einseitig **Kraftspeicher beidseitig**
Lift mechanism one-sided **Lift mechanism two-sided**
Réservoir de force sur un seul côté **Réservoir de force sur chaque côté**
Base forza da un lato **Base forza da entrambi i lati**

Zusätzlicher 3. Kraftspeicher
Additional 3rd lift mechanism
3^{ème} réservoir de force supplémentaire
3a base forza aggiuntiva

In den Randbereichen der einzelnen Kraftspeicher empfehlen wir einen Anschlagersuchst.
 A trial application is recommended when you are in a borderline area of the individual lift mechanism.
 Nous recommandons d'effectuer un essai de montage lorsque les valeurs de chaque réservoir de force sont à la limite des valeurs admises.
 Consigliamo una prova di battuta qualora la base forza prescelta si trovasse nell'area limite dei valori ammessi.

SERVO-DRIVE
 Bei einem Leistungsfaktor > 17,250 empfehlen wir zwei synchronisierte Antriebsseinheiten.
 We recommend two synchronized drive units for a power factor > 17,250.
 Pour un facteur de puissance > 17,250, nous recommandons deux unités motrices synchronisées.
 Con un fattore di rendimento > 17,250, suggeriamo el uso de dos equipos de accionamiento.

KH [mm]	FG [kg] + 1 x G			FG [kg] + 1 x G		
	20S2G00.05	20S2H00.05	20S2I00.05	20S2D00.05	20S2E00.05	20S2F00.05
800	4.00-7.00	6.00-12.25	10.50-20.00	5.70	3.00-6.25	5.75-12.25
795	4.00-7.00	6.00-12.25	10.50-20.00	5.65	3.00-6.25	5.75-12.25
790	4.00-7.00	6.00-12.25	10.50-20.00	5.60	3.00-6.50	6.00-12.25
785	4.00-7.00	6.25-12.50	10.75-20.25	5.55	3.00-6.50	6.00-12.50
780	4.00-7.00	6.25-12.50	10.75-20.25	5.50	3.00-6.50	6.00-12.50
775	3.75-7.00	6.25-12.50	11.00-20.25	5.45	3.00-6.50	6.00-12.50
770	3.75-7.00	6.25-12.50	11.00-20.25	5.40	3.00-6.50	6.00-12.50
765	3.75-7.25	6.50-12.50	11.00-20.25	5.35	3.00-6.75	6.25-12.75
760	3.75-7.25	6.50-12.75	11.25-20.25	5.30	3.00-6.75	6.25-12.75
755	3.75-7.25	6.50-12.75	11.25-20.50	5.26	3.00-6.75	6.25-13.00
750	3.50-7.25	6.50-12.75	11.50-20.50			
745	3.50-7.25	6.50-12.75	11.50-20.50			
740	3.50-7.25	6.50-12.75	11.75-20.75	5.25	2.50-4.00	3.25-7.50
735	3.50-7.50	6.50-13.00	11.75-20.75	5.20	2.50-4.00	3.50-7.50
730	3.50-7.50	6.75-13.00	11.75-21.00	5.15	2.50-4.00	3.50-7.50
725	3.50-7.50	6.75-13.00	12.00-21.00	5.10	2.50-4.00	3.50-7.75
720	3.50-7.50	6.75-13.00	12.00-21.25	5.05	2.50-4.00	3.50-7.75
715	3.50-7.50	6.75-13.00	12.00-21.25	5.00	2.50-4.25	3.50-7.75
710	3.50-7.75	6.75-13.25	12.25-21.25	4.95	2.50-4.25	3.75-7.75
705	3.50-7.75	6.75-13.25	12.25-21.50	4.90	2.50-4.25	3.75-8.00
700	3.50-7.75	6.75-13.25	12.50-21.50	4.85	2.50-4.25	3.75-8.00
695	3.50-7.75	6.75-13.25	12.50-21.50	4.80	2.50-4.25	3.75-8.00
690	3.50-7.75	6.75-13.25	12.75-21.50	4.75	2.50-4.25	3.75-8.00
685	3.50-8.00	7.00-13.25	12.75-21.50	4.70	2.50-4.25	4.00-8.25
680	3.50-8.00	7.00-13.50	13.00-21.50	4.65	2.25-4.25	4.00-8.25
676	3.50-8.00	7.00-13.50	13.00-21.50	4.60	2.25-4.25	4.00-8.25
				4.55	2.25-4.25	4.00-8.50
				4.50	2.25-4.25	4.00-8.50
675	3.00-5.25	5.00-11.00	09.75-19.00	4.45	2.25-4.50	4.25-8.50
670	3.00-5.25	5.00-11.00	09.75-19.00	4.40	2.25-4.50	4.25-8.50
665	3.00-5.25	5.00-11.00	09.75-19.00	4.35	2.25-4.50	4.25-8.50
660	3.00-5.50	5.25-11.25	10.00-19.00	4.30	2.25-4.50	4.25-8.75
655	3.00-5.50	5.25-11.25	10.00-19.00	4.25	2.25-4.50	4.25-8.75
650	3.00-5.50	5.25-11.25	10.00-19.00	4.20	2.25-4.50	4.25-8.75
645	3.00-5.50	5.25-11.25	10.00-18.75	4.15	2.25-4.50	4.25-8.75
640	3.00-5.50	5.25-11.25	10.00-18.75	4.10	2.25-4.50	4.25-9.00
635	3.00-5.50	5.25-11.50	10.25-18.75	4.05	2.25-4.50	4.25-9.00
630	3.00-5.75	5.50-11.50	10.25-18.75	4.00	2.00-4.75	4.25-9.00
625	3.00-5.75	5.50-11.50	10.25-18.75	3.95	2.00-4.75	4.50-9.00
620	3.00-5.75	5.50-11.50	10.25-18.75	3.90	2.00-4.75	4.50-9.00
615	3.00-5.75	5.50-11.50	10.25-18.75	3.85	2.00-4.75	4.50-9.25
610	3.00-6.00	5.50-11.75	10.50-18.50	3.80	2.00-4.75	4.50-9.25
605	3.00-6.00	5.50-11.75	10.50-18.50	3.75	2.00-4.75	4.50-9.25
600	3.00-6.00	5.50-11.75	10.50-18.50	3.70	2.00-4.75	4.50-9.25
595	3.00-6.00	5.50-11.75	10.50-18.50	3.65	2.00-4.75	4.50-9.25
590	3.00-6.00	5.50-12.00	10.75-18.25	3.60	2.00-4.75	4.50-9.50
585	3.00-6.25	5.75-12.00	10.75-18.25	3.55	2.00-4.75	4.50-9.50
580	3.00-6.25	5.75-12.00	11.00-18.00	3.50	2.00-5.00	4.50-9.50
575	3.00-6.25	5.75-12.00	11.00-18.00			

KH [mm]	20L2100.05		20L2300.05		20L2500.05		20L2700.05		20L2900.05	
	20L3200.05	1.25-4.25 kg	3.50-7.25 kg	6.50-12.00 kg	11.00-20.00 kg	13.50-20.00 kg				
300-349 mm										
350-399 mm										
400-550 mm										
450-580 mm										

LF = KH [mm] x (FG [kg] + 2 x G [kg])

LF 750-2.500 **LF 3.200-9.000**

20K2500.05 **20K2700.05**

LF 480-1.500 **LF 1.500-4.900**

20K2300.05 **20K2500.05** **20K2700.05**

20K2900.05 **20K3000.05** **20K3100.05**

Kraftspeicher beidseitig / **Lift mechanism two-sided**
Réservoir de force sur chaque côté
Base forza da entrambi i lati

In den Randbereichen der einzelnen Kraftspeicher empfehlen wir einen Anschlagersuchst.
 A trial application is recommended when you are in a borderline area of the individual lift mechanism.
 Nous recommandons d'effectuer un essai de montage lorsque les valeurs de chaque réservoir de force sont à la limite des valeurs admises.
 Consigliamo una prova di battuta qualora la base forza prescelta si trovasse nell'area limite dei valori ammessi.

1	LF: 2.600-5.500	20F2200.05	20F2200.05	20F2200.05
	LF: 5.350-10.150	20F2500.05	20F2500.05	20F2500.05
	LF: 9.000-17.250	20F2800.05	20F2800.05	20F2800.05
	SERVO-DRIVE	21FA000	21FA000	21FA000
2	KH: 480-570 mm	20F3200	20F3200	20F3200
	KH: 560-710 mm	20F3500	20F3500	20F3500
	KH: 700-900 mm	20F3800	20F3800	20F3800
	KH: 760-1.040 mm	20F3900	20F3900	20F3900
3	SERVO-DRIVE	20F8000	20F8000	20F8000
		21F8000	21F8000	21F8000
4		175HS100	175HS100	175HS800
		177HS100	177HS100	
5		70T550.TL	70T550.TL	72T550.TL
		70T5590.BTL	70T5590.BTL	
6		175HS100	175HS100	175HS100
7		78Z5500T	78Z5500T	78Z550AT
		78Z553ET	78Z553ET	
8		175HS100	175HS100	175HS100
9	104°	20F7051	20F7051	20F7051
	83°	20F7011	20F7011	20F7011

1	KH: 350-525 mm	20S2A00.05	20S2A00.05	20S2A00.05
	KH: 350-525 mm	20S2B00.05	20S2B00.05	20S2B00.05
	KH: 350-525 mm	20S2C00.05	20S2C00.05	20S2C00.05
	KH: 526-675 mm	20S2D00.05	20S2D00.05	20S2D00.05
	KH: 526-675 mm	20S2E00.05	20S2E00.05	20S2E00.05
	KH: 526-675 mm	20S2F00.05	20S2F00.05	20S2F00.05
	KH: 676-800 mm	20S2G00.05	20S2G00.05	20S2G00.05
	KH: 676-800 mm	20S2H00.05	20S2H00.05	20S2H00.05
	KH: 676-800 mm	20S2I00.05	20S2I00.05	20S2I00.05
	SERVO-DRIVE	21FA000	21FA000	21FA000
2	KH: 350-800 mm	20S3500.05	20S3500.05	20S3500.05
	SERVO-DRIVE	21S3500	21S3500	21S3500
3	SERVO-DRIVE	20S8000	20S8000	20S8000
		21S8000	21S8000	21S8000
4	Ø 16 mm, 1.061 mm	20Q1061UA	20Q1061UA	20Q1061UA
	FB ≤ 1.219 mm 1 x			
	FB > 1.219 mm 2 x			
	FB > 1.219 mm, Ø 16 mm	20Q091Z	20Q091Z	20Q091Z
	SERVO-DRIVE	21Q126Z	21Q126Z	21Q126Z
5		20S4200	20S4200	
				20S4200A

1		20L2100.05	20L2100.05	20L2100.05
		20L2300.05	20L2300.05	20L2300.05
		20L2500.05	20L2500.05	20L2500.05
		20L2700.05	20L2700.05	20L2700.05
		20L2900.05	20L2900.05	20L2900.05
	SERVO-DRIVE	21FA000	21FA000	21FA000
2	KH: 300-349 mm	20L3200.05	20L3200.05	20L3200.05
	SERVO-DRIVE	21L3200	21L3200	21L3200
	KH: 350-399 mm	20L3500.05	20L3500.05	20L3500.05
	SERVO-DRIVE	21L3500	21L3500	21L3500
	KH: 400-550 mm	20L3800.05	20L3800.05	20L3800.05
	SERVO-DRIVE	21L3800	21L3800	21L3800
	KH: 450-580 mm	20L3900.05	20L3900.05	20L3900.05
	SERVO-DRIVE	21L3900	21L3900	21L3900
3	SERVO-DRIVE	20L8000	20L8000	20L8000
		21L8000	21L8000	21L8000
4	1.061 mm	20Q1061UA	20Q1061UA	20Q1061UA
	FB ≤ 1.219 mm 1 x			
	FB > 1.219 mm 2 x			
	FB > 1.219 mm, Ø 16 mm	20Q091ZA	20Q091ZA	20Q091ZA
	SERVO-DRIVE	21Q126ZA	21Q126ZA	21Q126ZA
5		20S4200	20S4200	
				20S4200A

AVENTOS HK-S

Abhängig vom Leistungsfaktor
 Depending on the power factor
 Dépendant du facteur de puissance
 Dipende del fattore di rendimento

LF = KH [mm] x (FG [kg] + 2 x G [kg])

LF 400-1.000

20K2C00.0x **20K2E00.0x**

LF 220-500 **LF 960-2.040**

Kraftspeicher beidseitig / **Lift mechanism two-sided**
Réservoir de force sur chaque côté
Base forza da entrambi i lati

In den Randbereichen der einzelnen Kraftspeicher empfehlen wir einen Anschlagersuchst.
 A trial application is recommended when you are in a borderline area of the individual lift mechanism.
 Nous recommandons d'effectuer un essai de montage lorsque les valeurs de chaque réservoir de force sont à la limite des valeurs admises.
 Consigliamo una prova di battuta qualora la base forza prescelta si trovasse nell'area limite dei valori ammessi.

FB [mm]	400		450		500		550		600		700		800		900		1.000		1.200		1.500		1.800													
300	1.6	1.7	1.6	1.7	1.9	1.8	1.9	2.2	2.0	2.1	2.4	2.2	2.3	2.6	2.4	2.7	3.0	2.7	3.1	3.5	3.1	3.5	3.9	3.5	3.9	4.3	3.8	4.7	5.2	4.6	5.8	6.5	5.7	7.0	7.8	6.8
350	1.8	2.0	1.9	2.0	2.3	2.1	2.3	2.5	2.3	2.5	2.8	2.5	2.7	3.0	2.7	3.2	3.5	3.1	3.6	4.0	3.5	4.1	4.5	4.0	4.5	5.0	4.4	5.4	6.1	5.2	6.8	7.6	6.5	8.1	9.1	7.