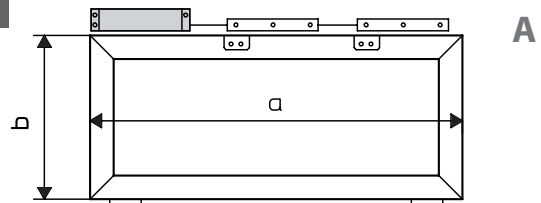


E 212

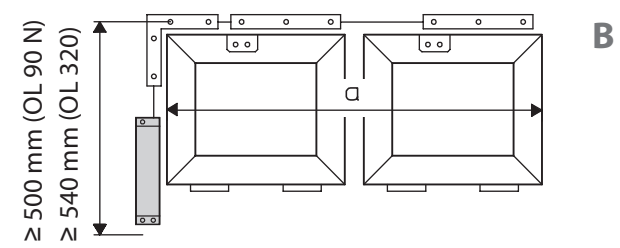


153444-01



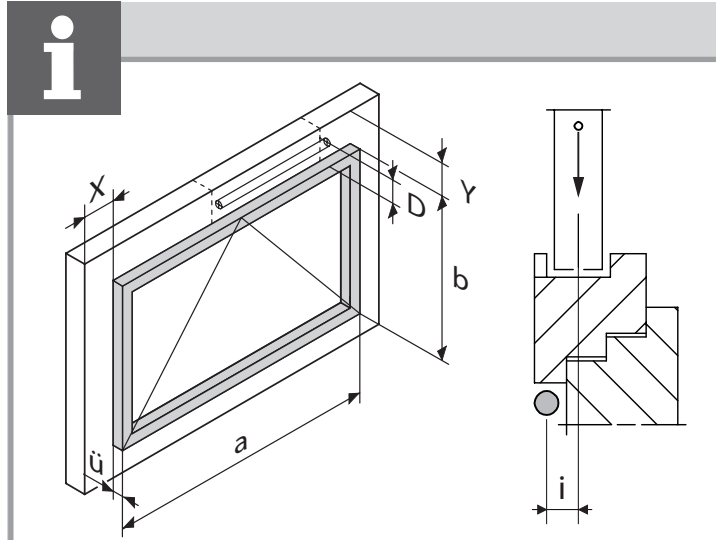
A

i+ 40444-EP-003 (OL 90 N)
40424-EP-030 (OL 320)

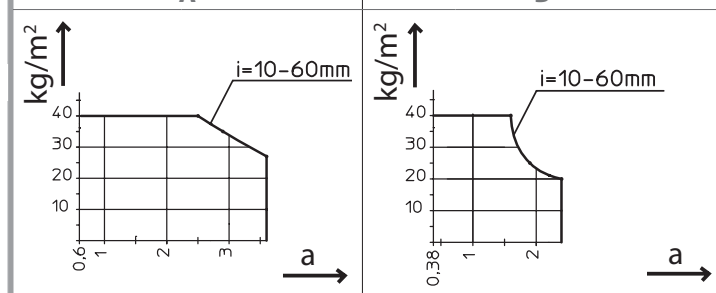


B

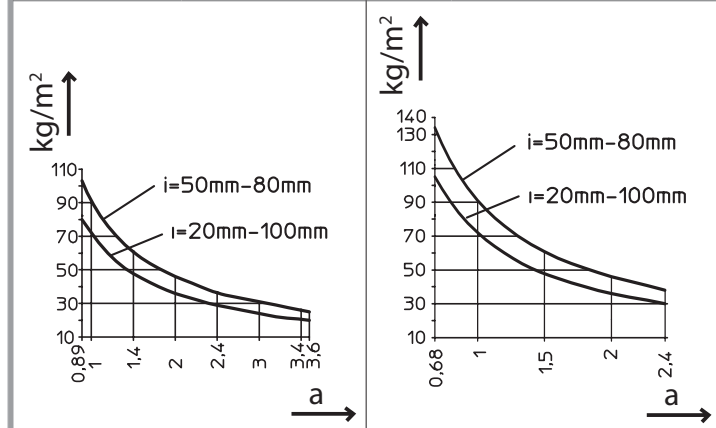
i+ 40444-EP-004 (OL 90 N)
40424-EP-029 (OL 320)



OL 90 N	A	B
a	≥ 600 mm	≥ 380 mm
b	≥ 250 mm	≥ 250 mm
Y	D+23 mm	D+9 mm
X	-	D+23 mm
	≤ 4	≤ 3
b ≥ 250 mm	D = 16 mm	
b ≥ 300 mm	D = 14 mm	
b ≥ 400 mm	D = 12 mm	
i	10 mm - 60 mm	



OL 320	A	B
a	≥ 890 mm	≥ 680 mm
b	≥ 400 mm	≥ 400 mm
Y	D+19 mm	D+13 mm
X	-	D+19 mm
	≤ 4	≤ 2
b ≥ 400 mm	D = 23 mm	
b ≥ 500 mm	D = 21/23 mm	
b ≥ 600 mm	D = 19/21/23 mm	
b ≥ 800 mm	D = 17/19/21/23 mm	



1

i+ OL 90 N
ID 030364

i+ OL 320
ID 130738

2

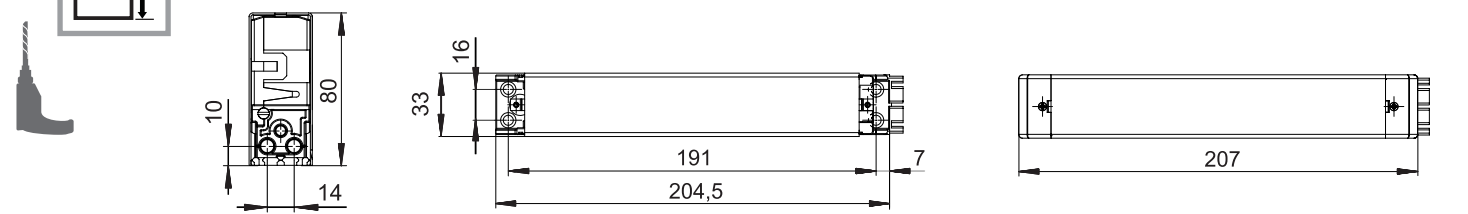
3

1x = 0,8 mm
42 ← 52 → 70
- +

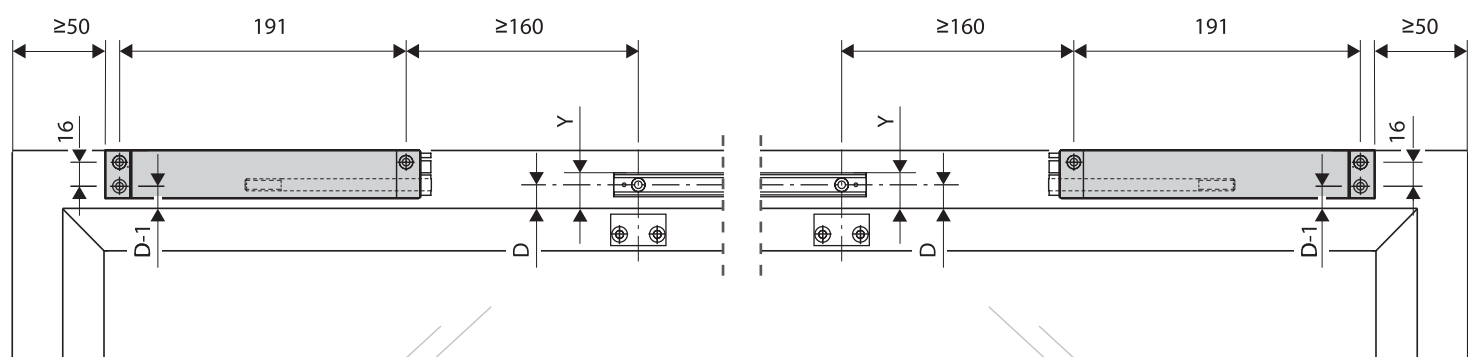
i+ ID 151531

	52 mm
OL 90 N	max. 52 mm 0 mm
OL 320	max. 70 mm +16 mm = 20x

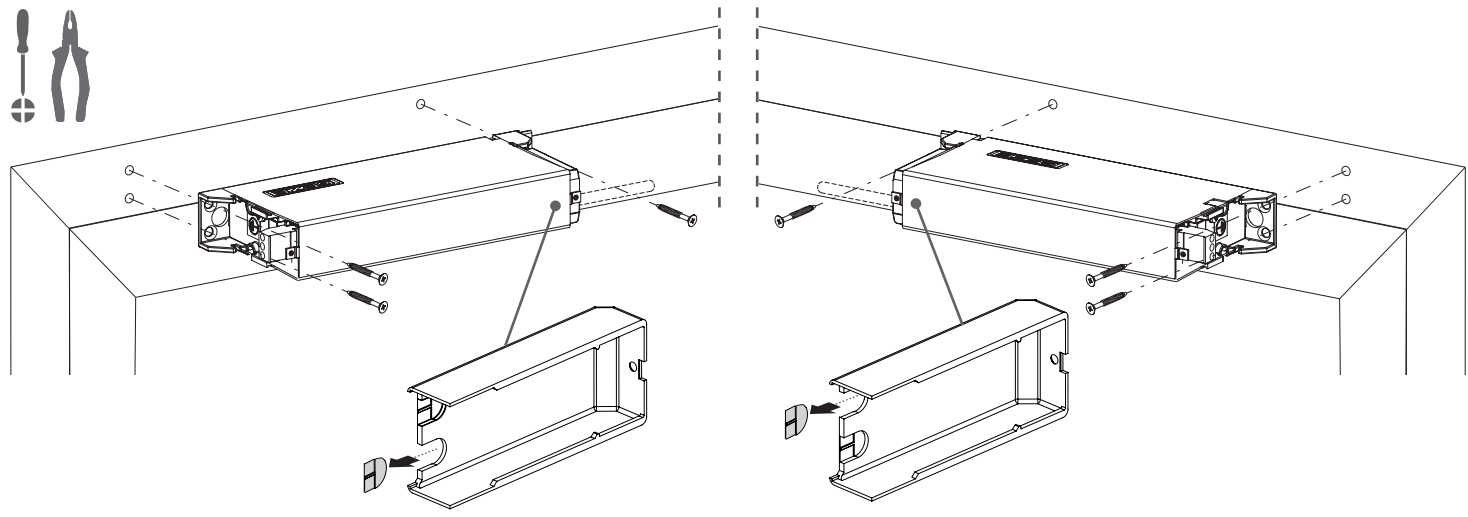
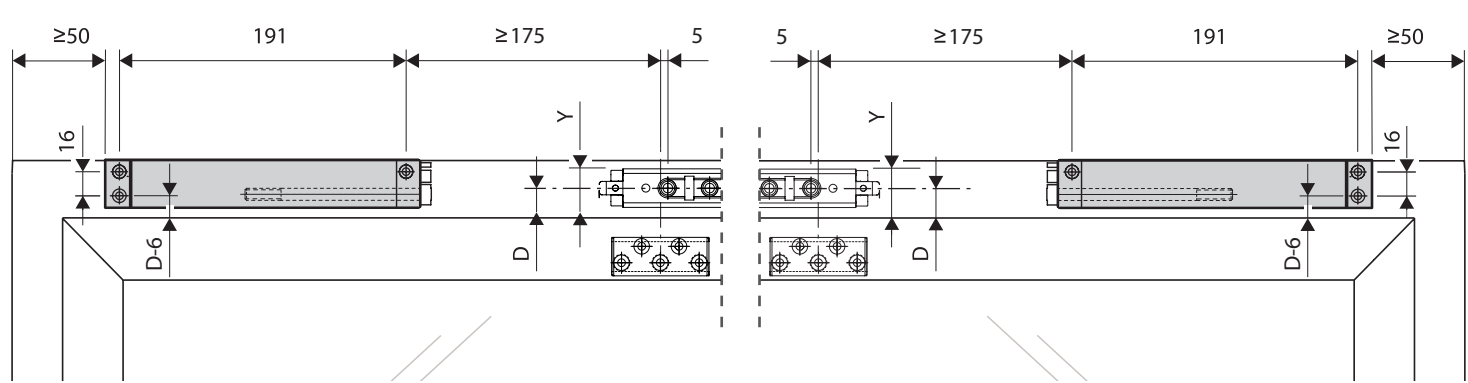
4



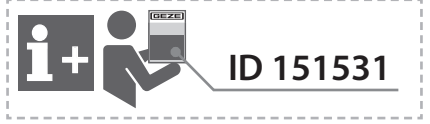
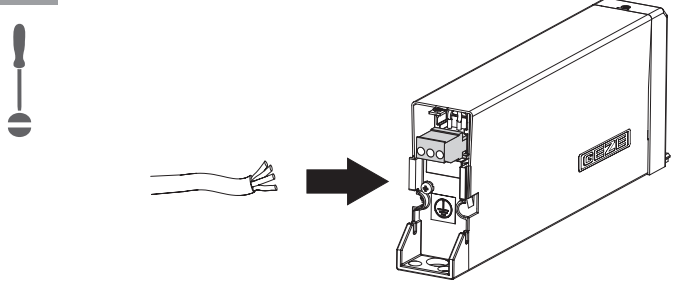
OL 90 N



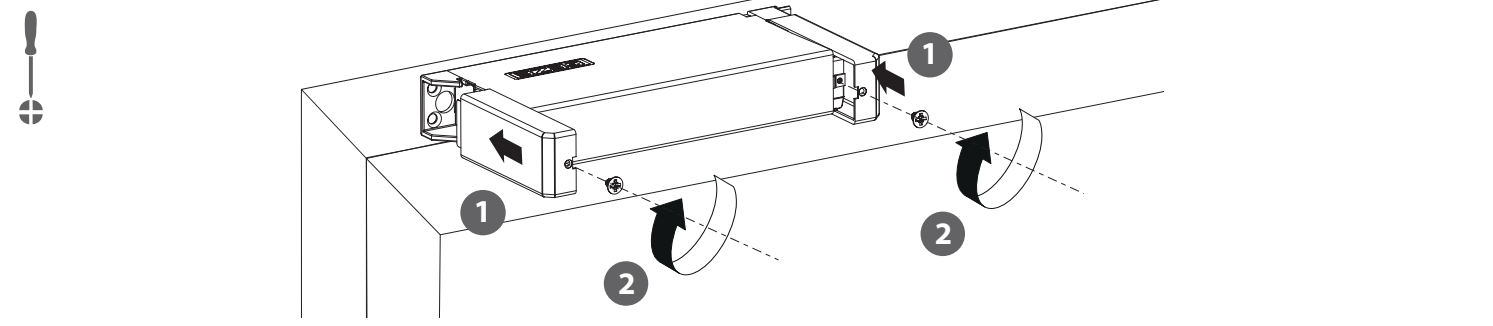
OL 320



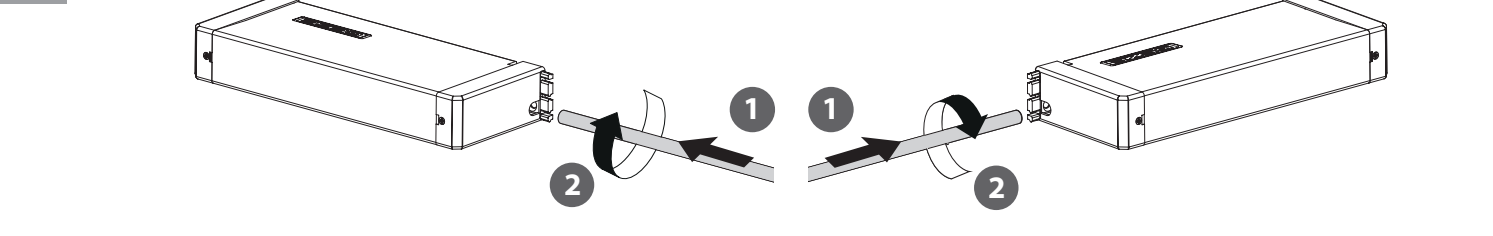
5



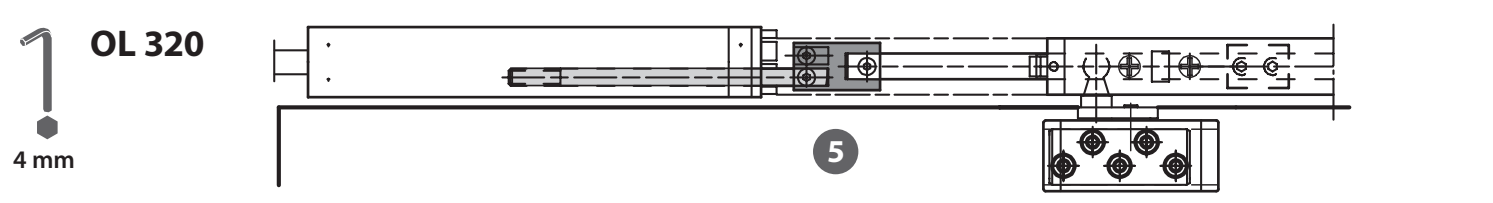
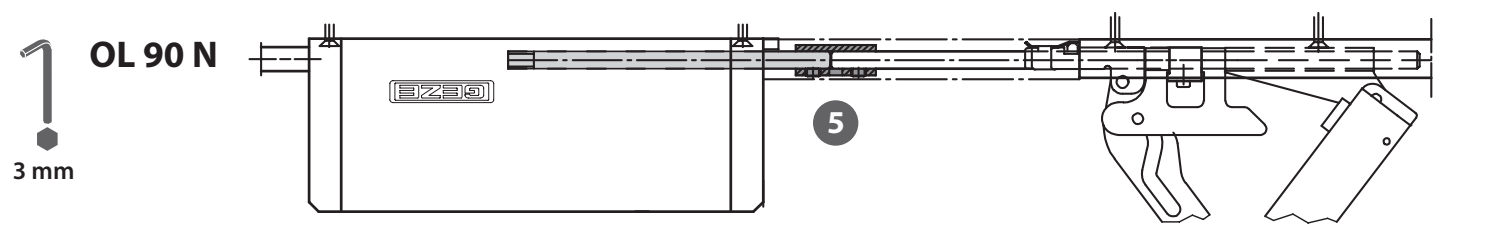
6



7



[mm]		[mm]			
	OL 320	OL95 min	OL95 max	OL90 min	OL90 max
42	198	162	172	122	134
45	215	178	190	135	146
50	241	200	211	153	164
55	264	219	227	168	172
60	285				
66	306				
70	320				



GEZE GmbH
Reinhold-Vöster-Strasse 21-29
71229 Leonberg
Germany

Tel.: 0049 7152 203 0
Fax: 0049 7152 203 310
www.geze.com

