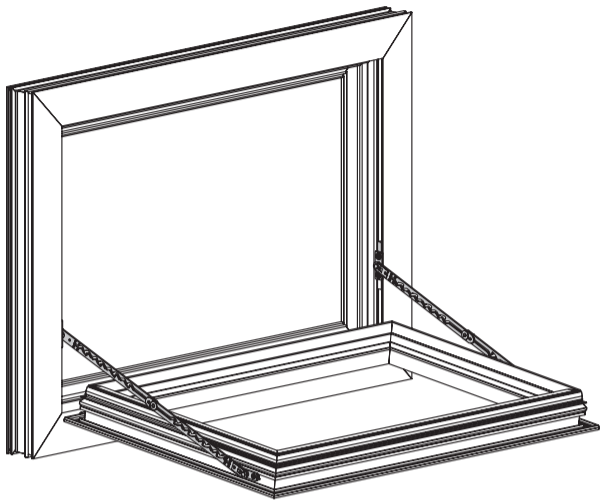


DE Fang- und Putzsicherung für Kunststofffenster  
 EN Gripping and cleaning scissor stay for plastic framed windows  
 ES Compás de seguridad y de limpieza para ventanas de plástico  
 FR Compas d'entrebâillement et de nettoyage pour fenêtre en plastique  
 PL Zabezpieczenie przed zatrzaśnięciem i do mycia okien z tworzywa sztucznego  
 RU Фиксатор для пластиковых окон  
 ZH 塑料窗的安全限位制动机构



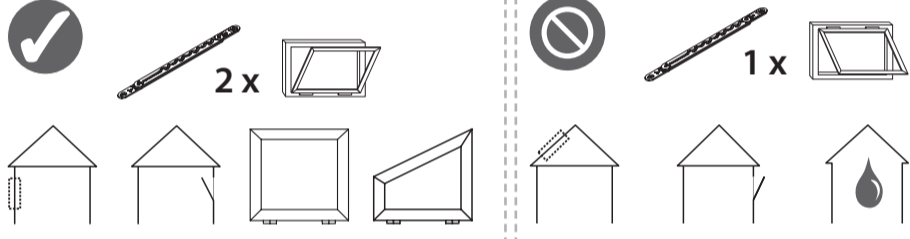
070185-02

**GEZE**

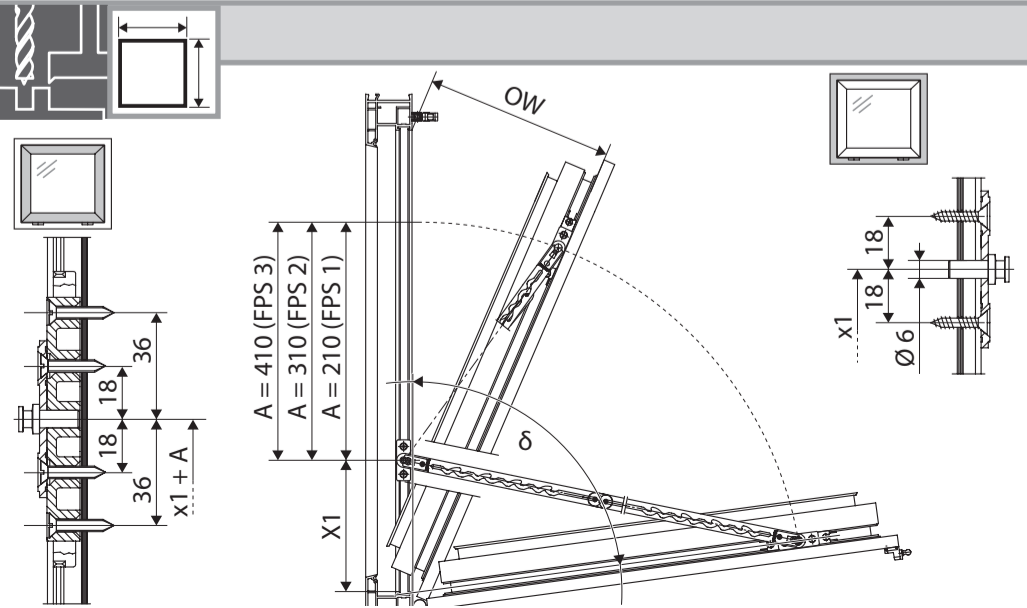
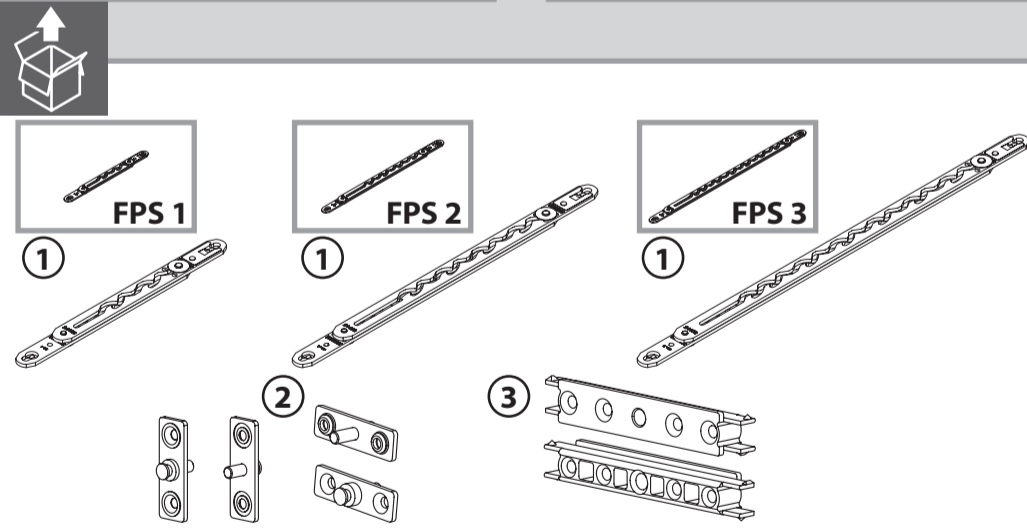
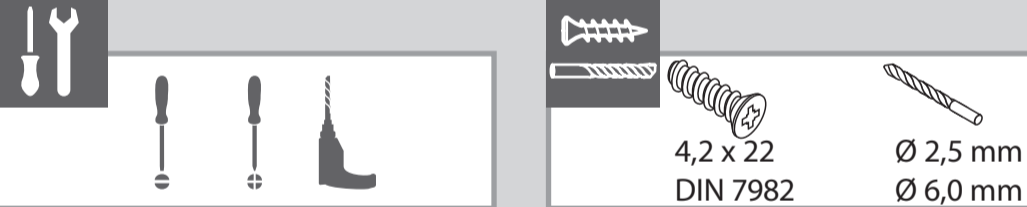


159976-... [www.geze.de](http://www.geze.de)

**i**



**i+** 41313-0-011

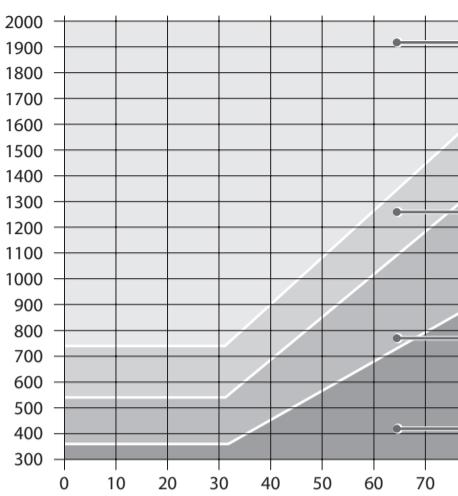


**i** OW ~ 170 mm

[mm] max. [kg]

360 ... 2000 80

b [mm]



**FPS 2**

[mm] x1 [mm]  $\delta$  [°]

540 ... 599	150	90
600 ... 649	190	75
650 ... 699	230	65
700 ... 769	290	55
770 ... 849	350	50
850 ... 949	410	45
950 ... 1049	470	40
1050 ... 1149	530	35
1150 ... 1249	600	30
1250 ... 1399	680	30
1400 ... 1549	760	25
1550 ... 1699	860	25
1700 ... 1849	960	20
1850 ... 2000	1060	20

**FPS 1**

[mm] x1 [mm]  $\delta$  [°]

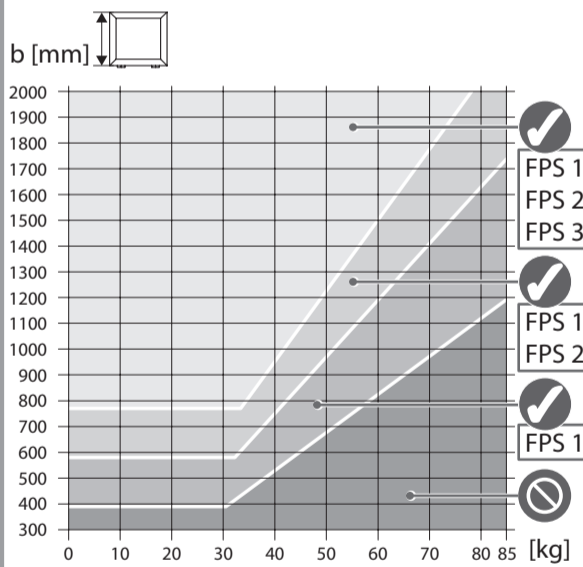
360 ... 399	70	85
400 ... 439	90	75
440 ... 479	130	60
480 ... 519	150	55
520 ... 559	170	50
560 ... 599	190	45
600 ... 659	220	40
660 ... 719	250	40
720 ... 779	280	35
780 ... 859	320	30
860 ... 939	360	30
940 ... 1019	400	25
1020 ... 1119	450	25
1120 ... 1219	500	20
1220 ... 1319	550	20
1320 ... 1419	600	20
1420 ... 1549	670	15
1550 ... 1699	740	15
1700 ... 1849	820	15
1850 ... 2000	900	15

**FPS 3**

[mm] x1 [mm]  $\delta$  [°]

740 ... 819	250	85
820 ... 899	330	70
900 ... 999	370	60
1000 ... 1099	480	50
1100 ... 1199	550	45
1200 ... 1349	630	40
1350 ... 1499	820	30
1500 ... 1649	940	30
1650 ... 1849	1060	25
1850 ... 2000	1200	25

OW ~ 220 mm



**FPS 2**

[mm] x1 [mm]  $\delta$  [°]

580 ... 619	150	90
620 ... 659	180	75
660 ... 719	210	70
720 ... 769	240	65
770 ... 829	270	60
830 ... 899	300	55
900 ... 969	340	50
970 ... 1059	380	45
1060 ... 1139	430	40
1140 ... 1229	480	35
1230 ... 1339	530	35
1340 ... 1439	590	30
1440 ... 1559	650	30
1560 ... 1699	720	25
1700 ... 1869	800	25
1870 ... 2000	900	20

**FPS 1**

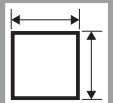
[mm] x1 [mm]  $\delta$  [°]

390 ... 439	70	85
440 ... 489	90	70
490 ... 549	115	60
550 ... 599	140	55
600 ... 659	165	50
660 ... 719	190	45
720 ... 779	220	40
780 ... 849	250	35
850 ... 929	285	35
930 ... 1009	320	30
1010 ... 1079	355	30
1080 ... 1159	390	25
1160 ... 1239	430	25
1240 ... 1369	470	25
1370 ... 1499	530	20
1500 ... 1649	600	20
1650 ... 1799	670	15
1800 ... 1959	740	15
1960 ... 2000	820	15

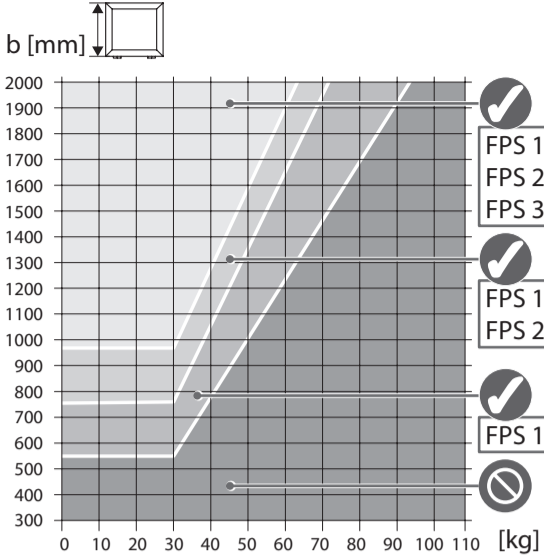
**FPS 3**

[mm] x1 [mm]  $\delta$  [°]

770 ... 799	250	85
800 ... 859	300	75
860 ... 949	350	65
950 ... 1059	410	55
1060 ... 1179	480	50
1180 ... 1329	560	45
1330 ... 1499	660	40
1500 ... 1679	770	35
1680 ... 1859	890	30
1860 ... 2000	1010	30

**i**

OW ~ 320 mm



✓ FPS 1  
 ✓ FPS 2  
 ✓ FPS 3

✓ FPS 1  
 ✓ FPS 2

✓ FPS 1

○ FPS 1



FPS 1

b [mm]	x1 [mm]	δ [°]
550 ... 599	80	85
600 ... 659	90	80
660 ... 709	110	70
710 ... 759	125	60
760 ... 809	140	55
810 ... 879	155	55
880 ... 959	180	50
960 ... 1039	200	45
1040 ... 1119	230	40
1120 ... 1199	255	35
1200 ... 1299	275	35
1300 ... 1399	310	30
1400 ... 1499	340	30
1500 ... 1599	375	25
1600 ... 1749	410	25
1750 ... 1899	460	20
1900 ... 2000	510	20

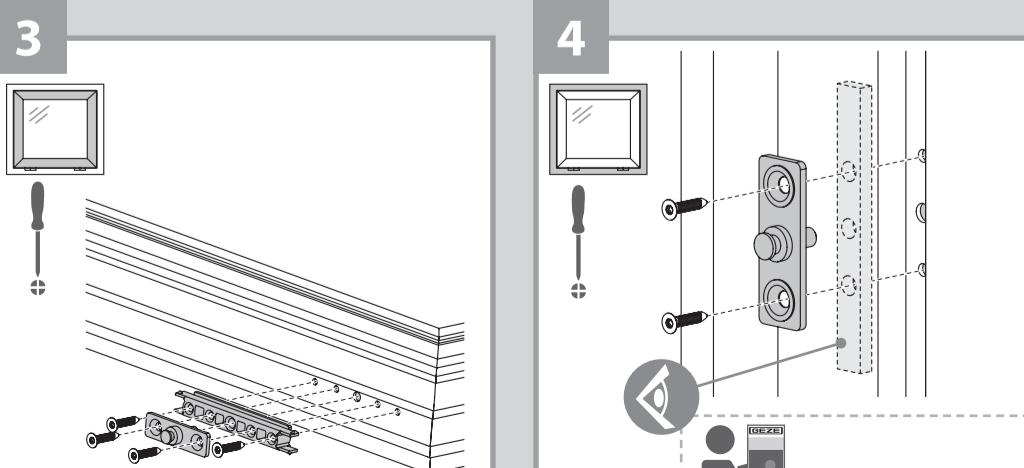
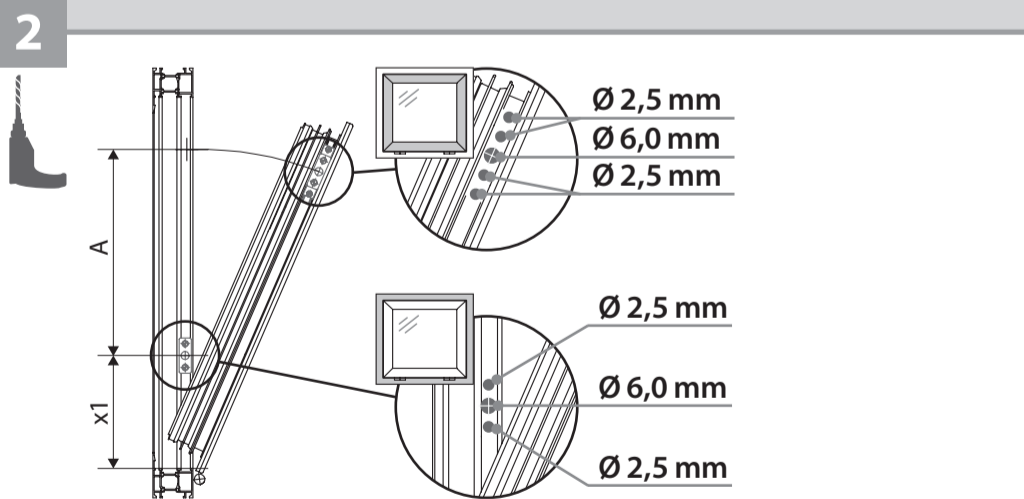
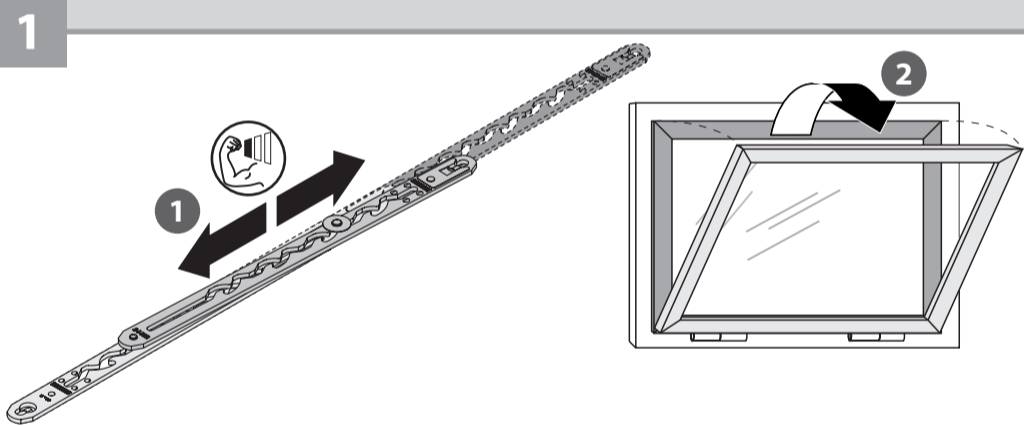
b [mm]	x1 [mm]	δ [°]
760 ... 799	155	90
800 ... 849	165	85
850 ... 889	185	80
890 ... 939	200	75
940 ... 999	220	70
1000 ... 1059	240	65
1060 ... 1129	260	60
1130 ... 1199	290	55
1200 ... 1299	320	50
1300 ... 1399	350	50
1400 ... 1499	390	45
1500 ... 1599	430	40
1600 ... 1699	470	40
1700 ... 1849	510	35
1850 ... 2000	570	30



FPS 3

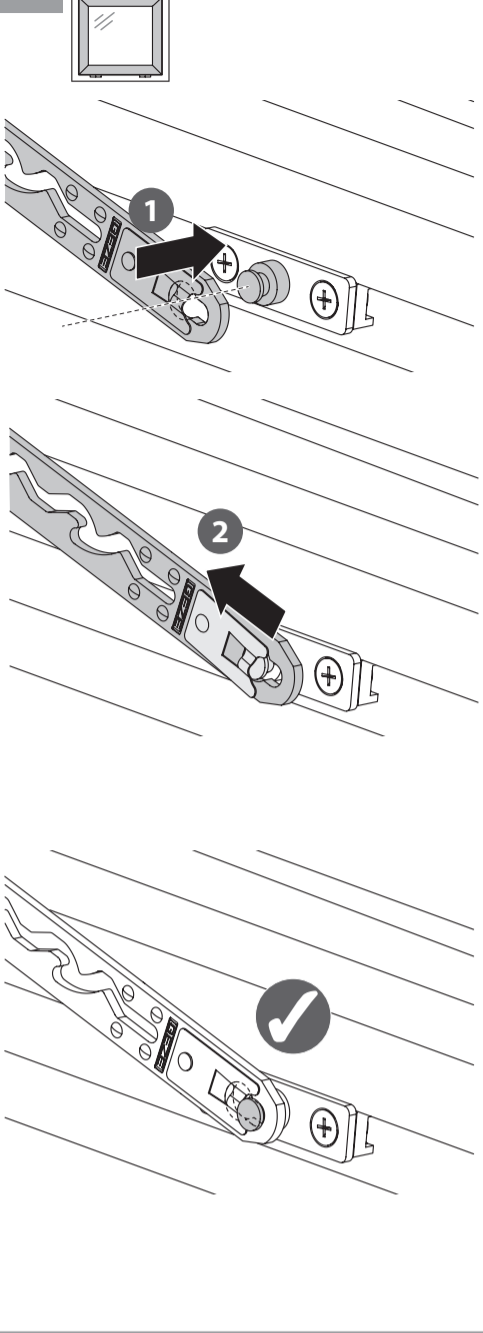
b [mm]	x1 [mm]	δ [°]
970 ... 1049	250	85
1050 ... 1149	280	75
1150 ... 1249	325	70
1250 ... 1399	370	60
1400 ... 1549	435	55
1550 ... 1699	500	50
1700 ... 1849	570	45
1850 ... 2000	630	40

b [mm]	x1 [mm]	δ [°]
760 ... 799	155	90
800 ... 849	165	85
850 ... 889	185	80
890 ... 939	200	75
940 ... 999	220	70
1000 ... 1059	240	65
1060 ... 1129	260	60
1130 ... 1199	290	55
1200 ... 1299	320	50
1300 ... 1399	350	50
1400 ... 1499	390	45
1500 ... 1599	430	40
1600 ... 1699	470	40
1700 ... 1849	510	35
1850 ... 2000	570	30

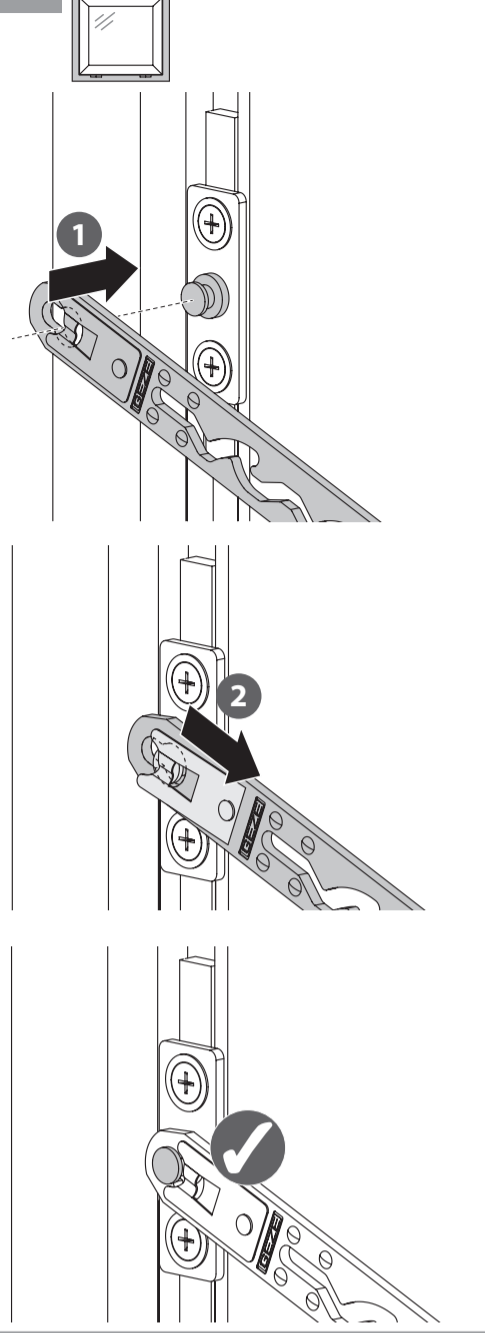


41313-0-011

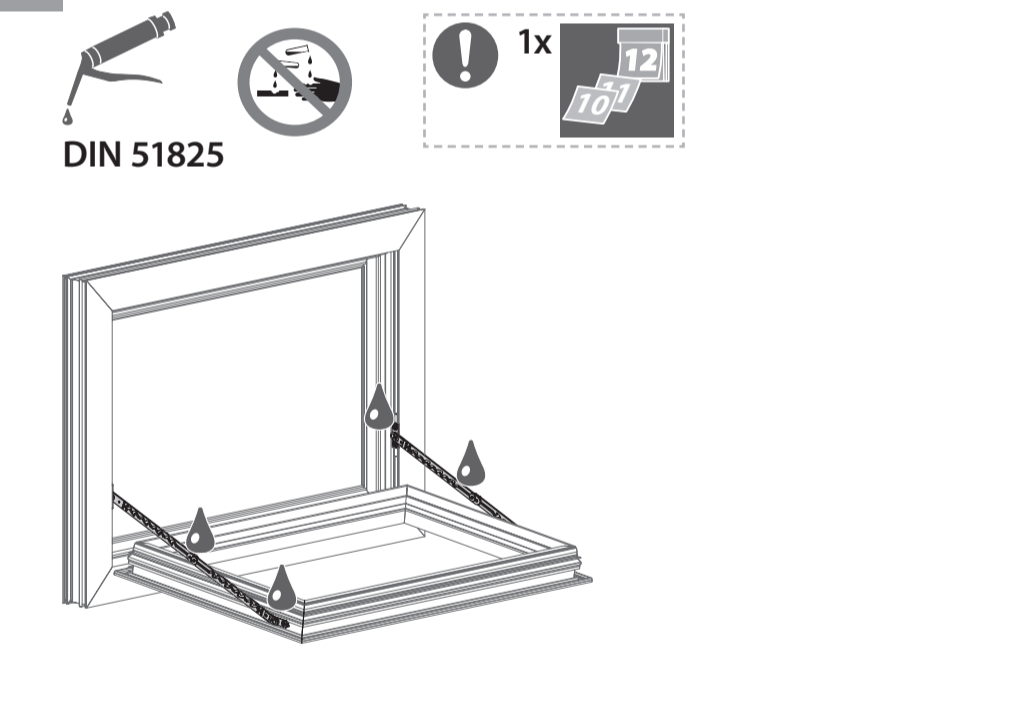
5



6



7



DIN 51825

