

TS 1500 G



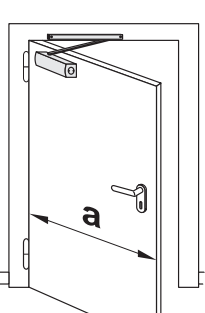
101829-04



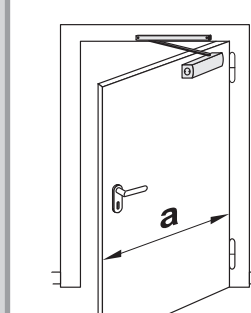
**A**

**B**

EN1  
a ≤ 750 mm

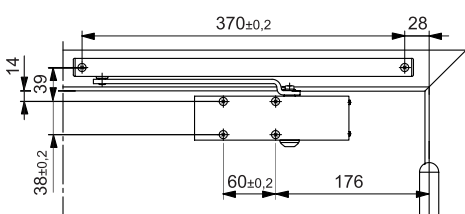
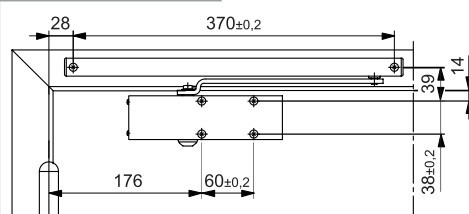
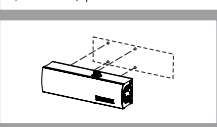
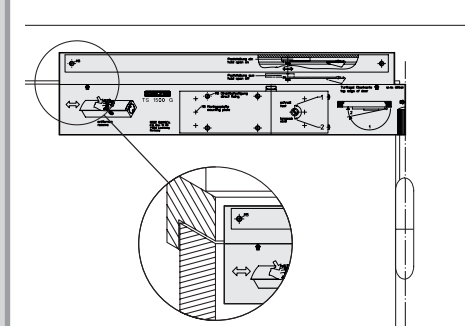
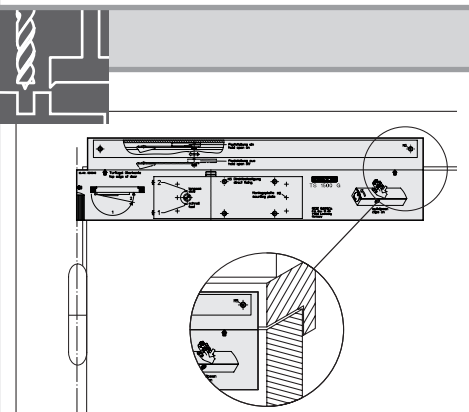


EN1  
a ≤ 750 mm

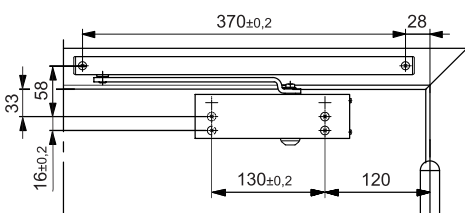
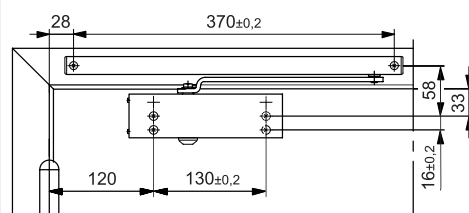
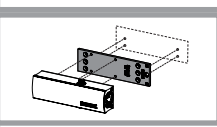
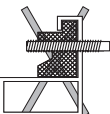
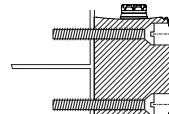
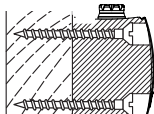


**i**

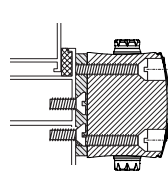
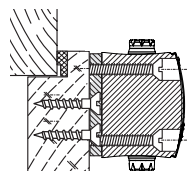
CE	GEZE GmbH	11
	P.O. Box 1363 71226 Leonberg	
0672-CPD-0120	EN 1154	4 8 4/3 1 1 3
Substanz: -----		



- 4x 5x52
- 4x M5x42

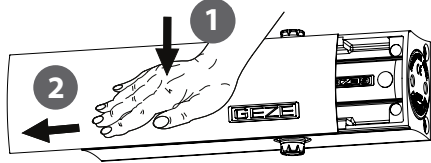


- 4x 5x35
- 4x M5x20

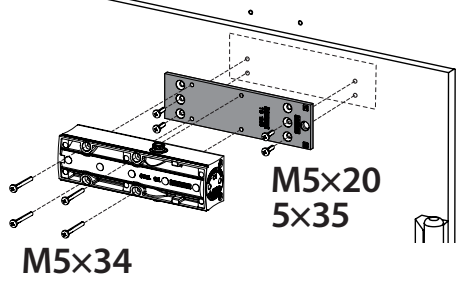
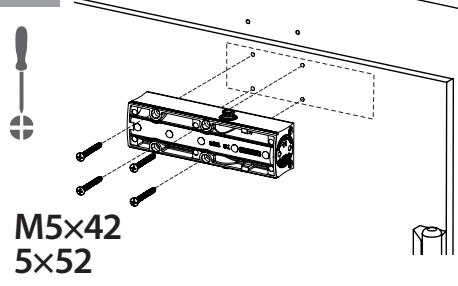


- 4x M5x34

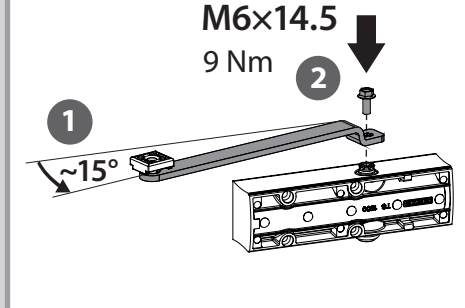
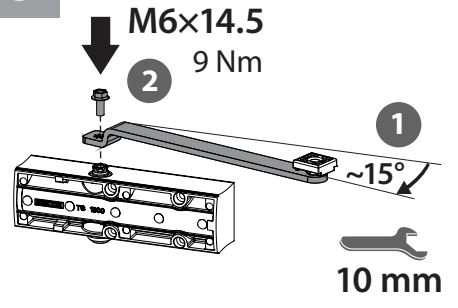
**1**



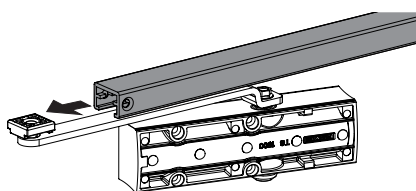
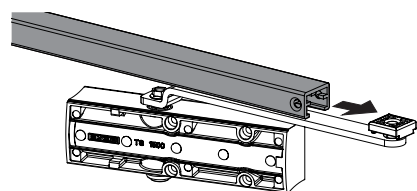
**2**



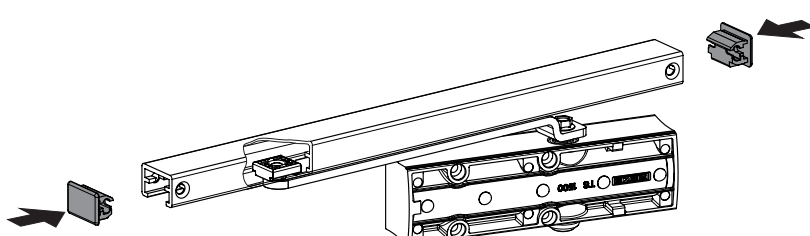
**3**



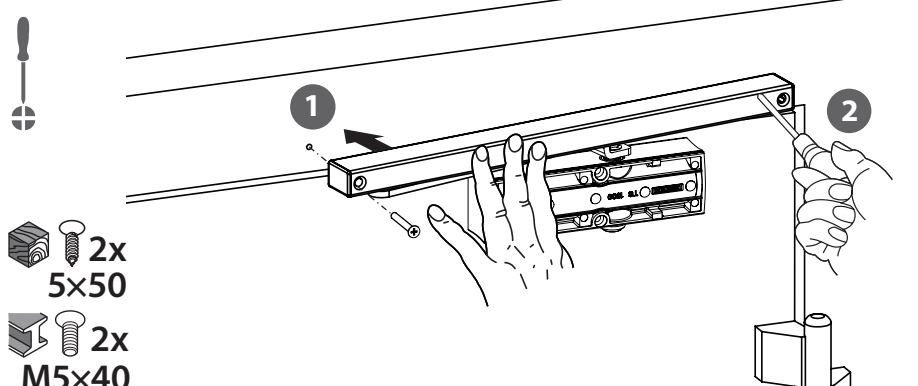
4



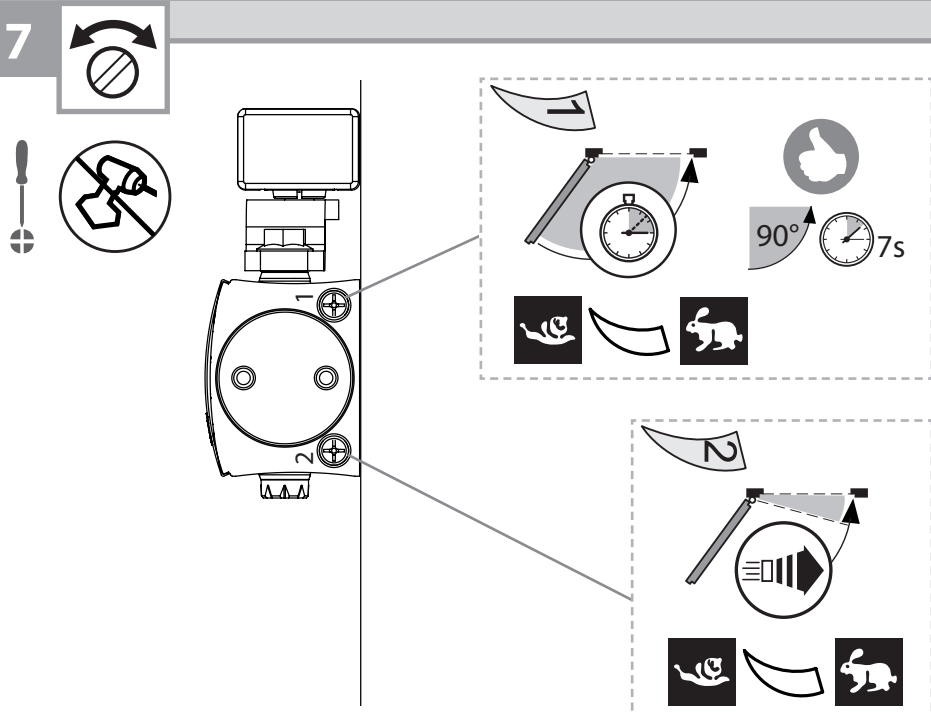
5



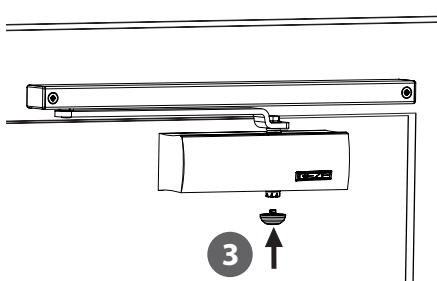
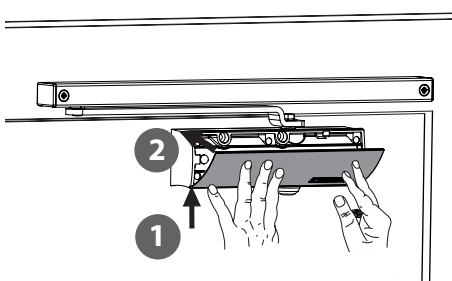
6



7



8



i

