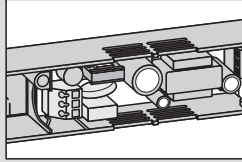


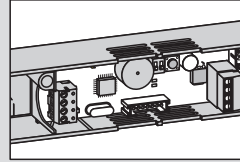
WN 056836 45532
02/11



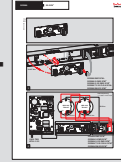
G-SR EMR 230V AC
Art. Nr. 642xx**0**xx



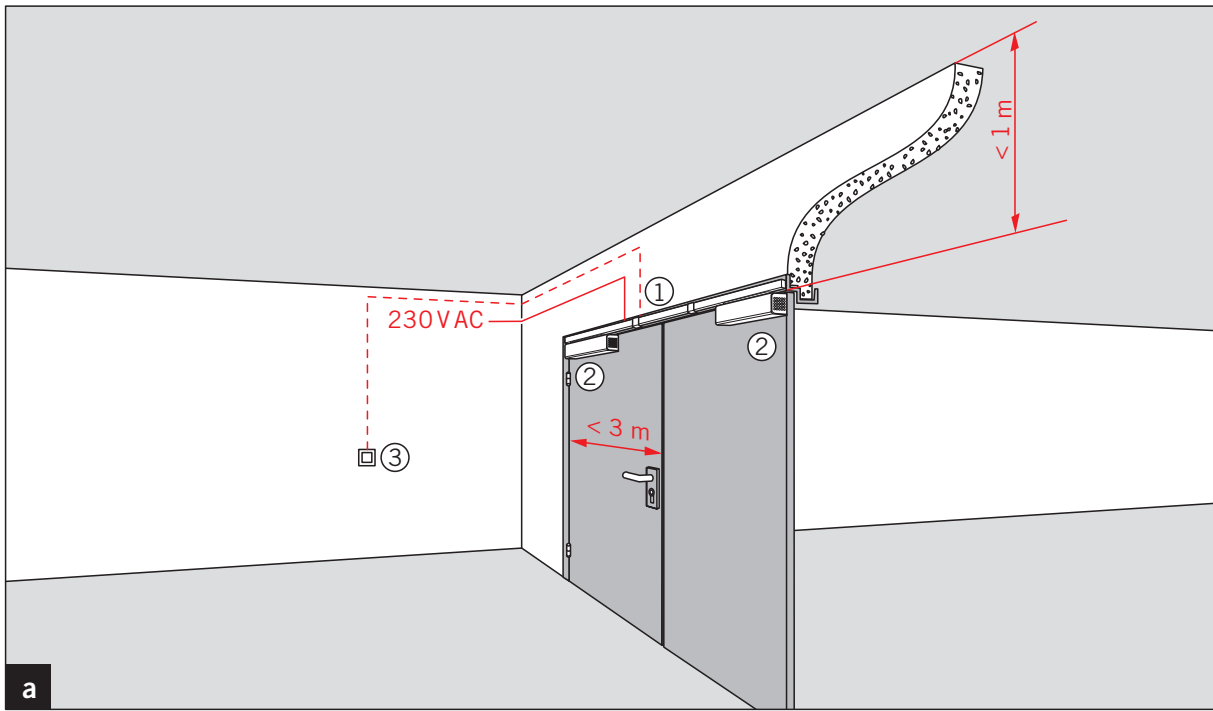
G-SR EMR DCW® ~~230V AC~~
Art. Nr. 642xx**3**xx



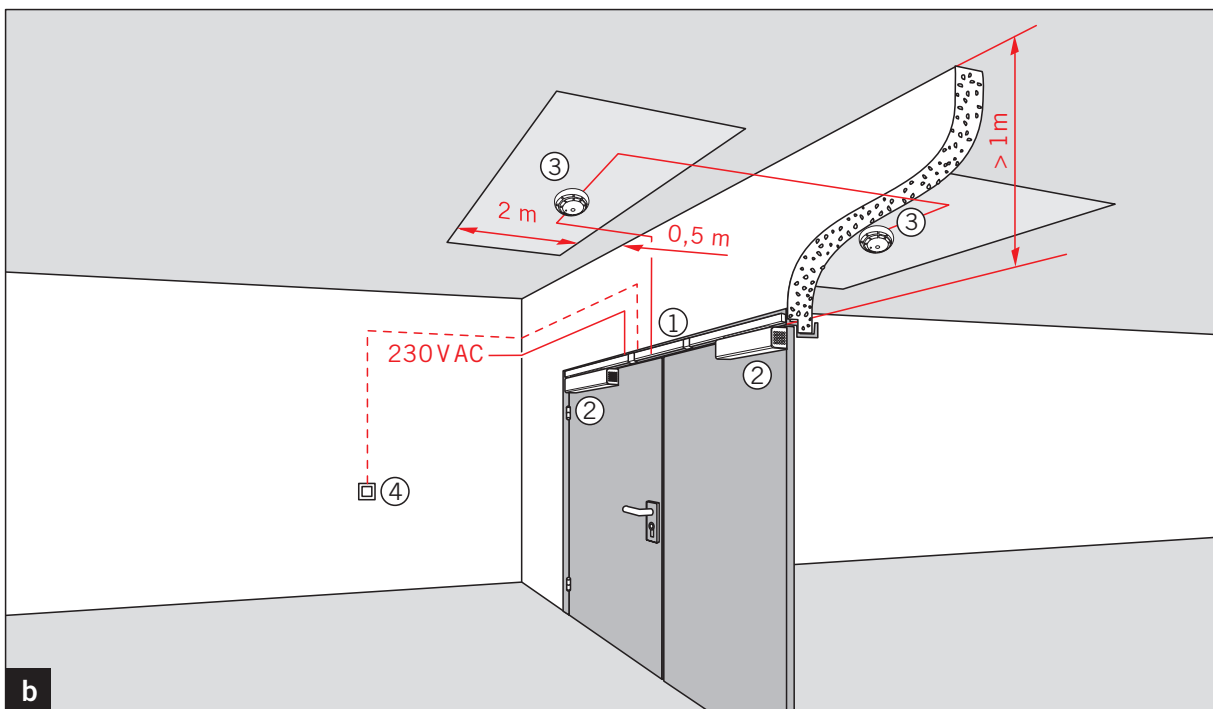
WN 056559 45532

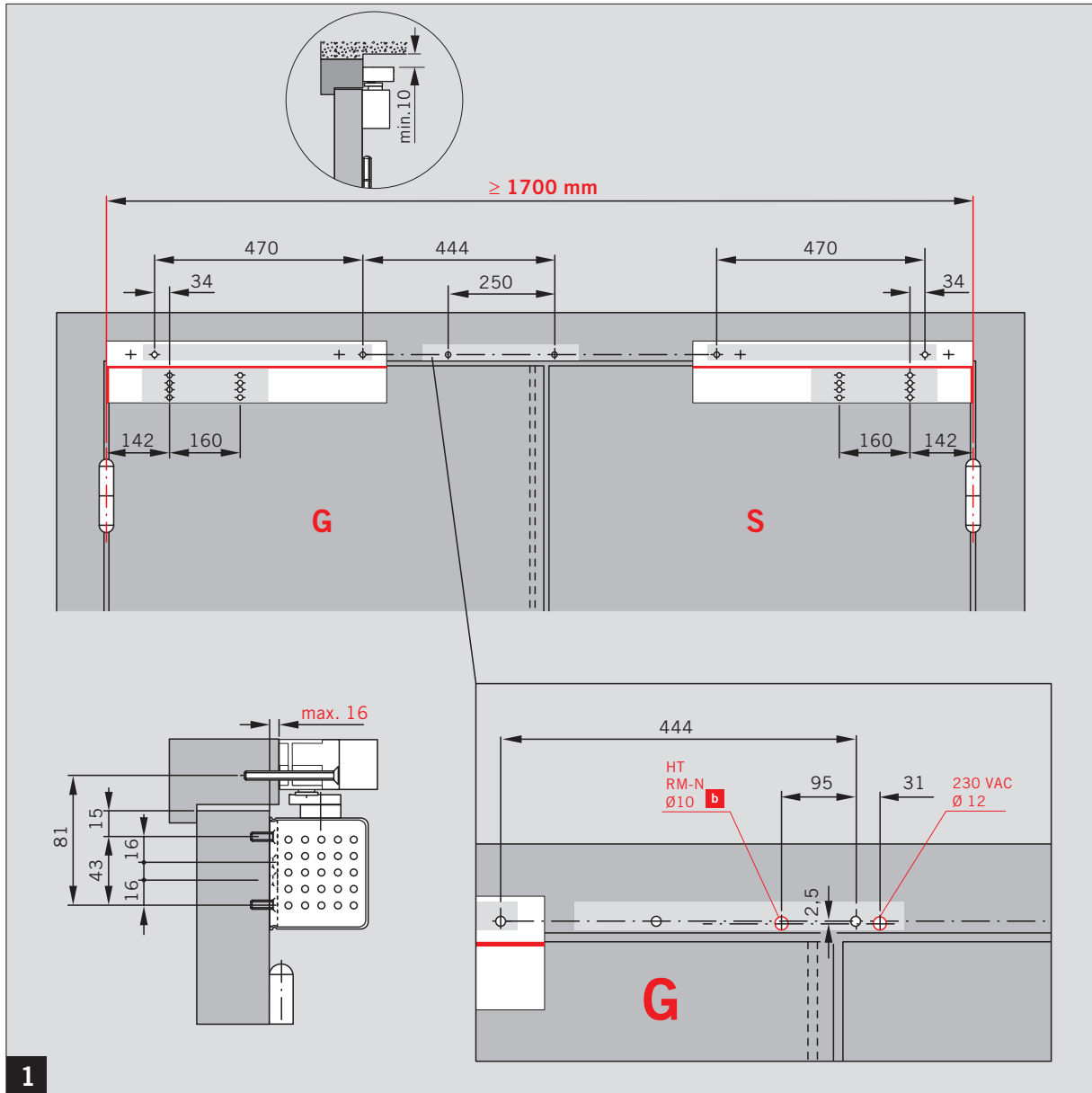


	DORMA GmbH + Co. KG Postfach 4009 58 247 Ennepetal			04		
	0432 - BPR 0026	EN 1158:1997+A1:2002	3 8	3-7	1 1	3
Dangerous substances: None						

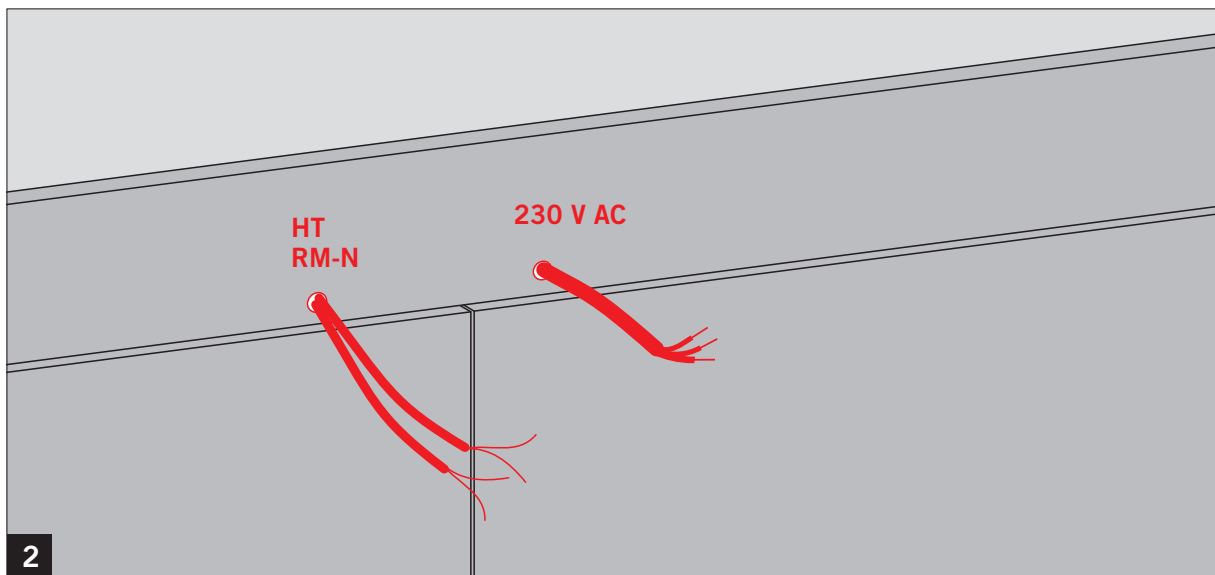


	DORMA GmbH + Co. KG Postfach 4009 58 247 Ennepetal			04		
	0432 - BPR 0025	EN 1155:1997+A1:2002	3 8	3-5	1 1	3
Dangerous substances: None						

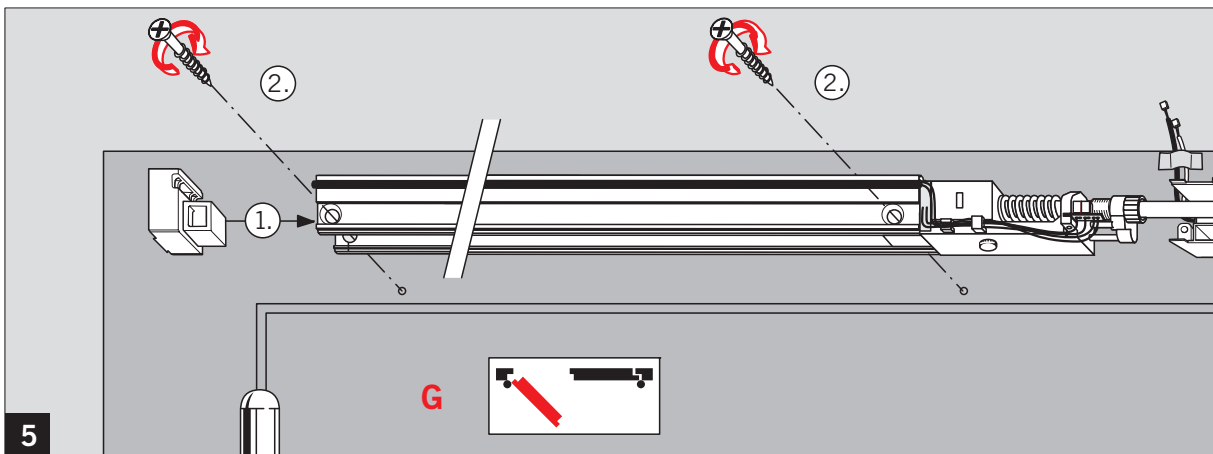
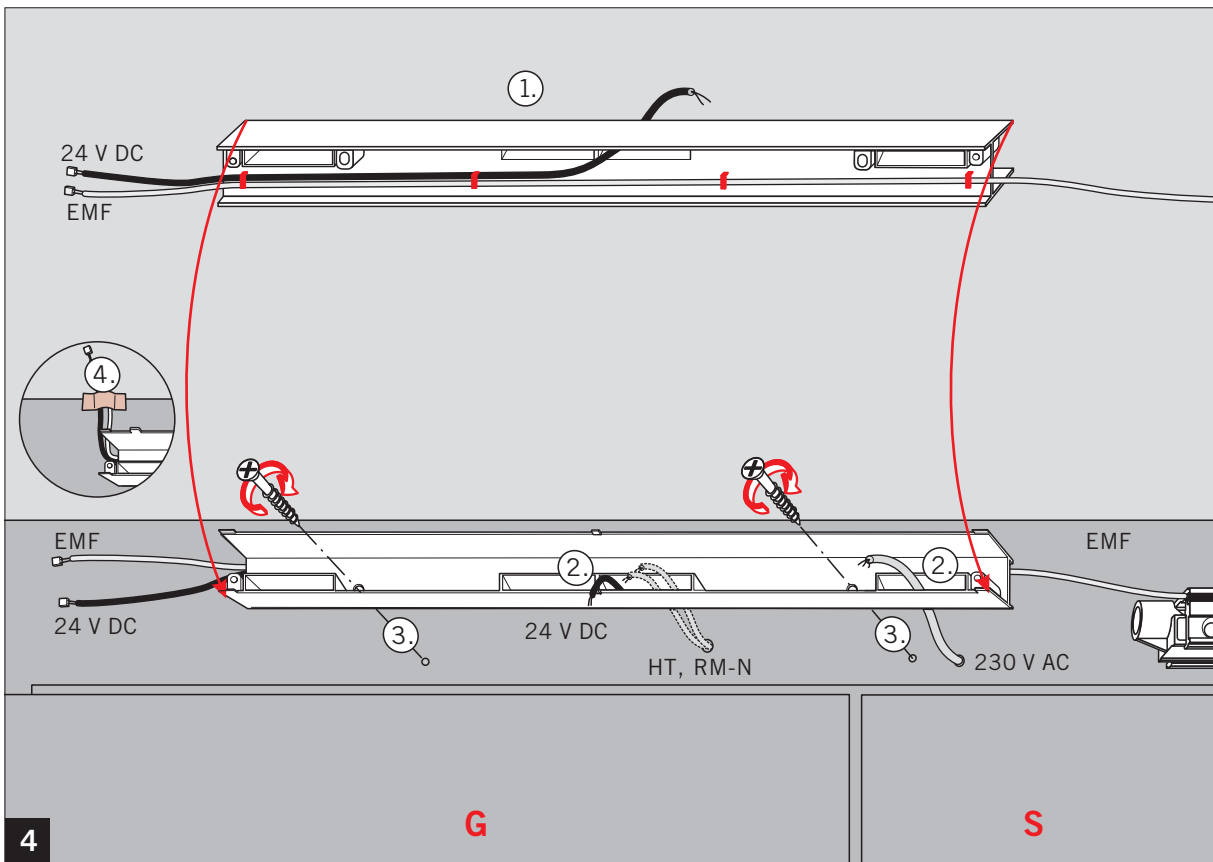
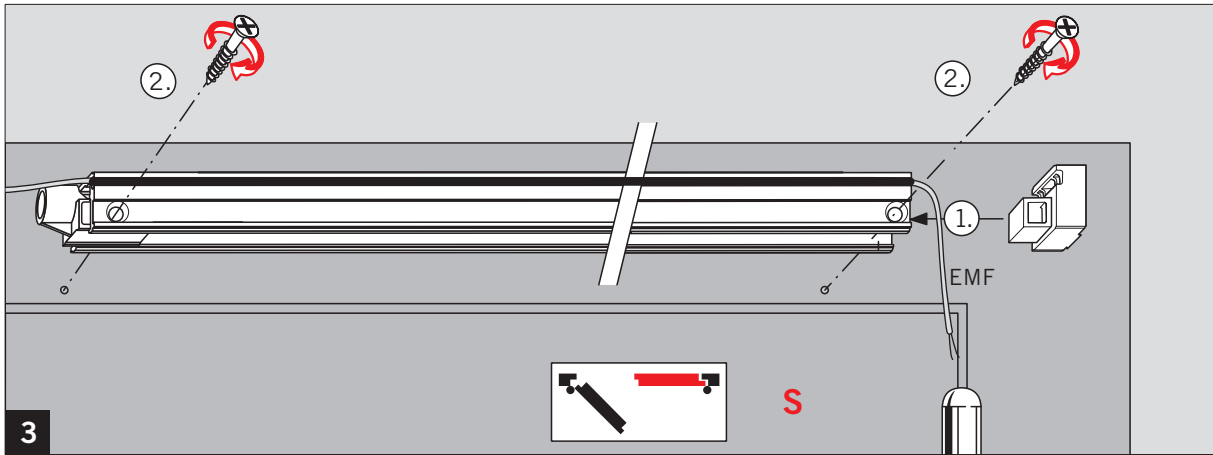


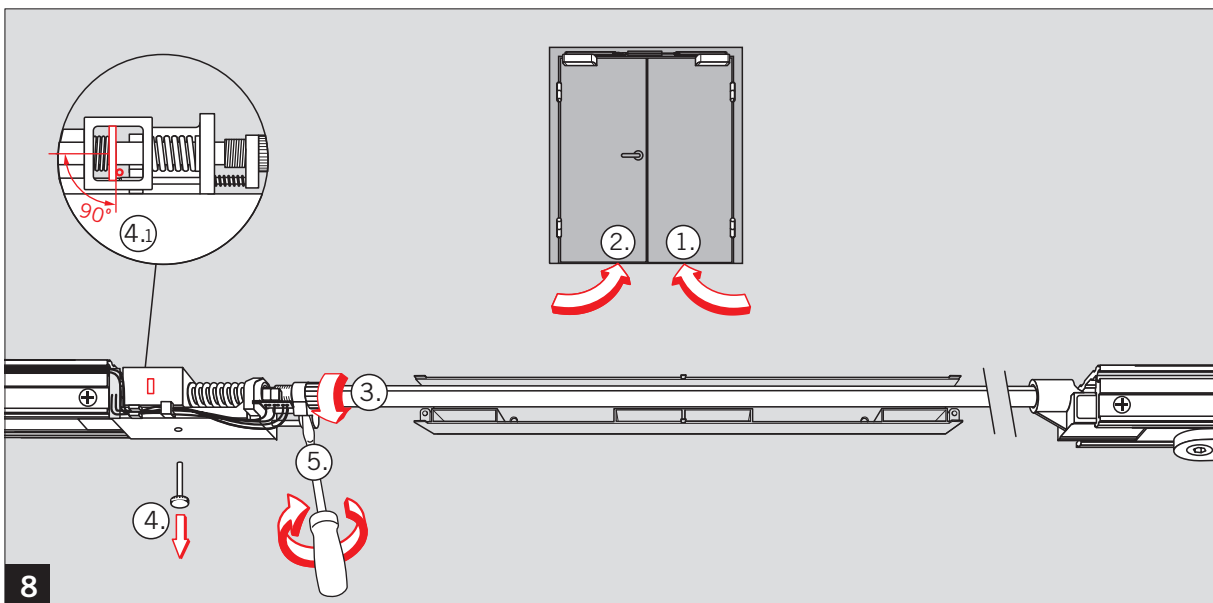
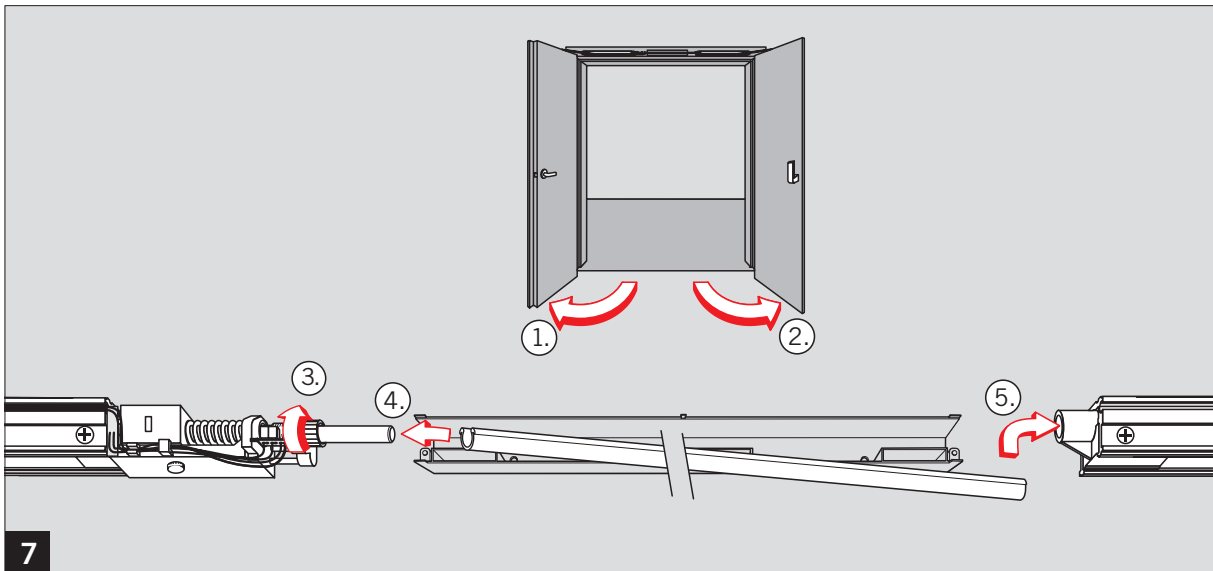
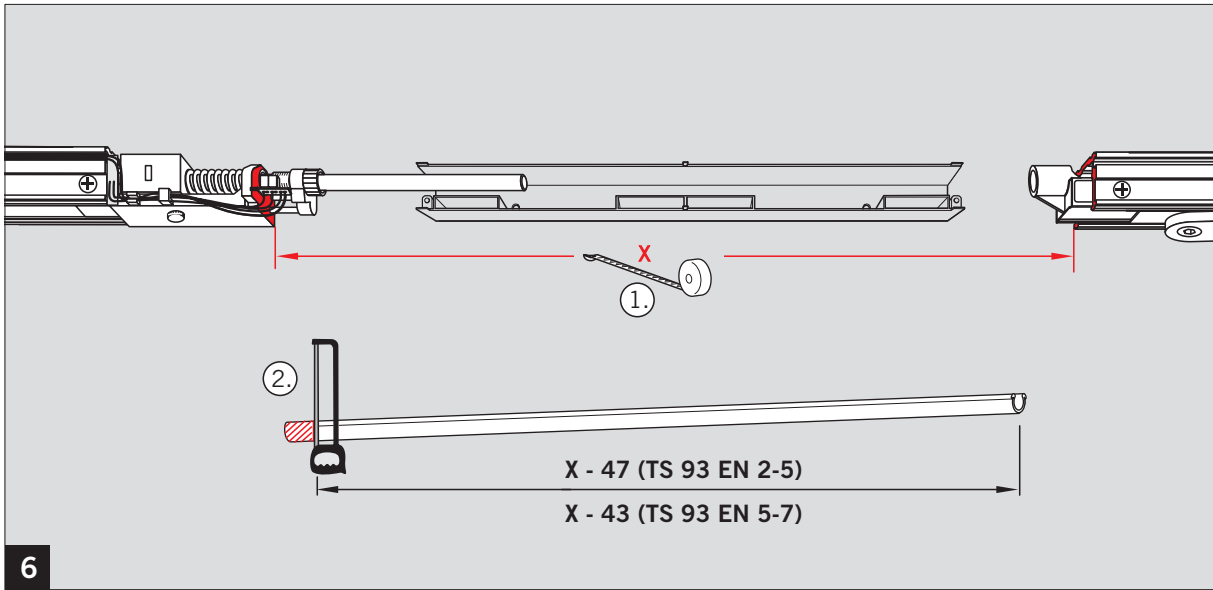


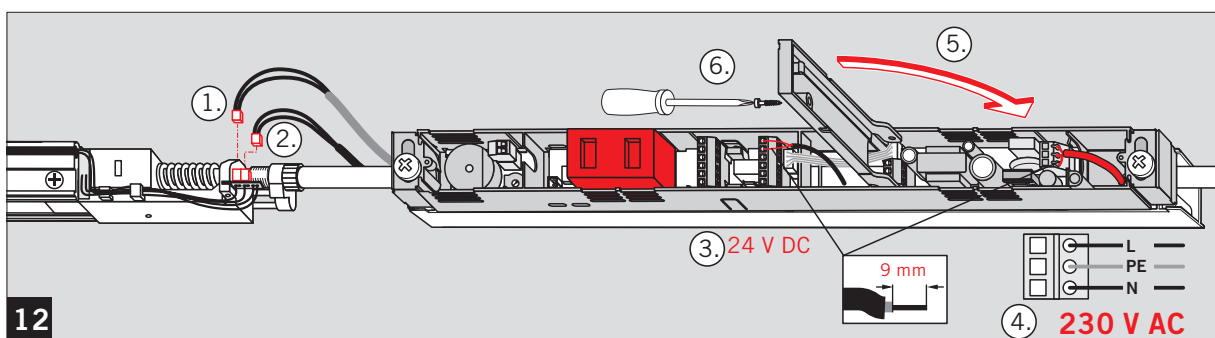
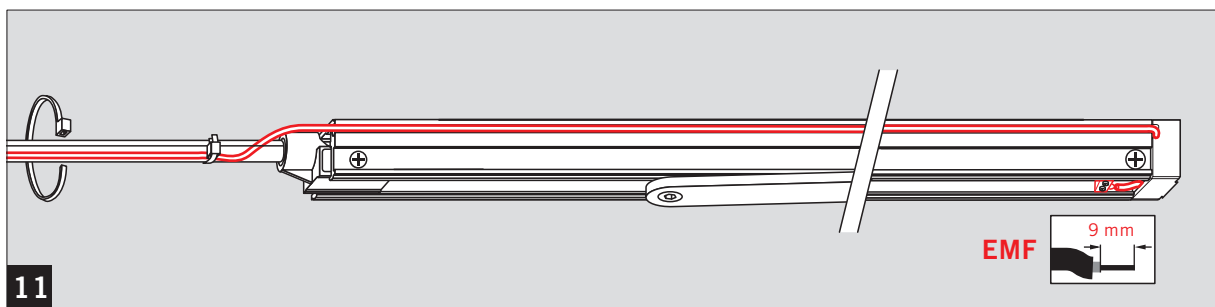
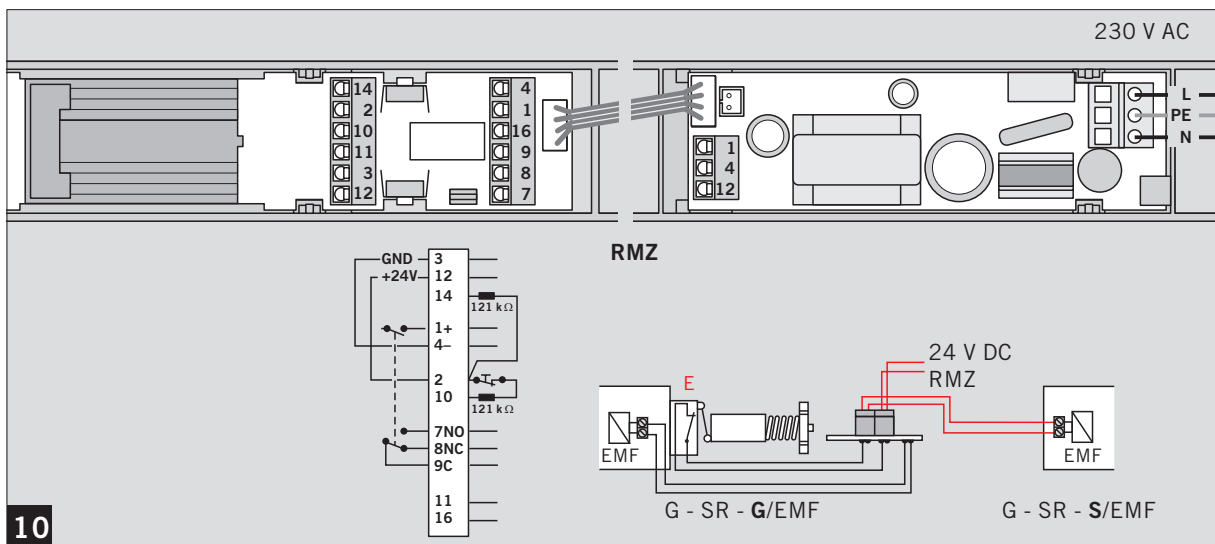
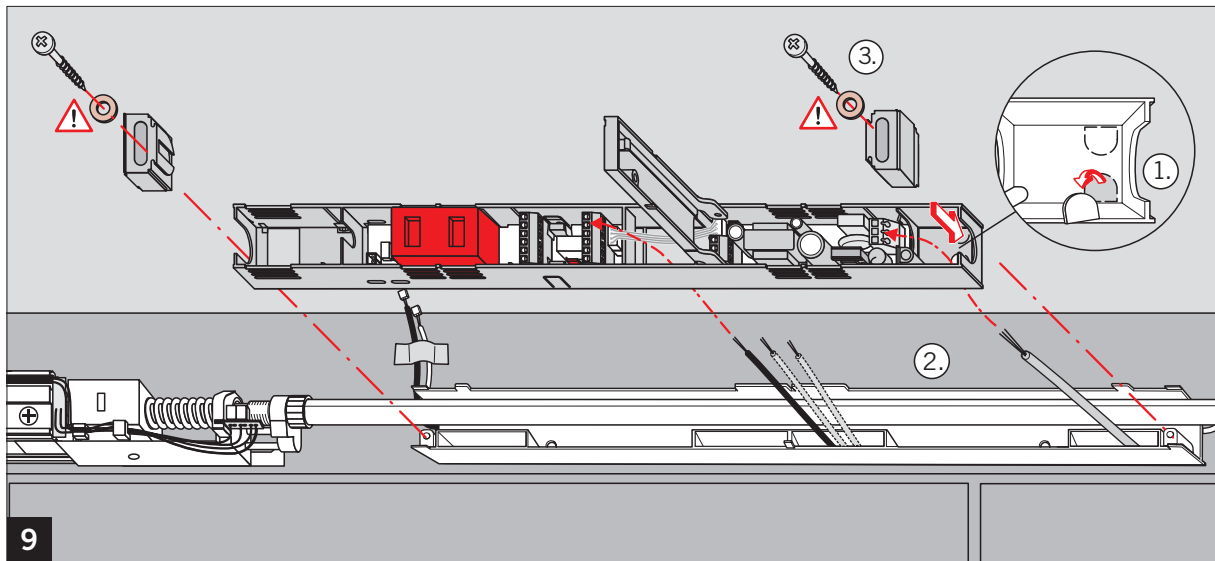
1

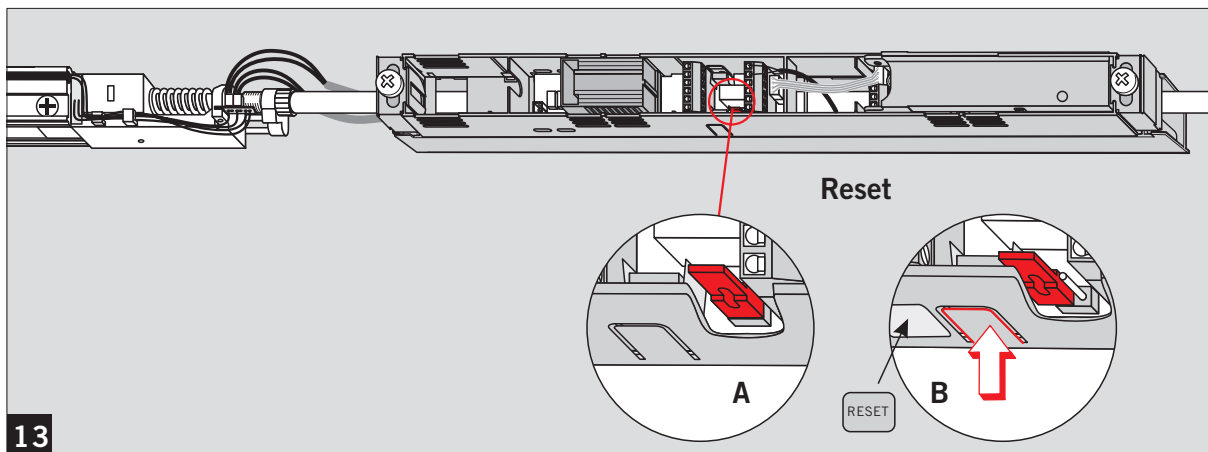


2

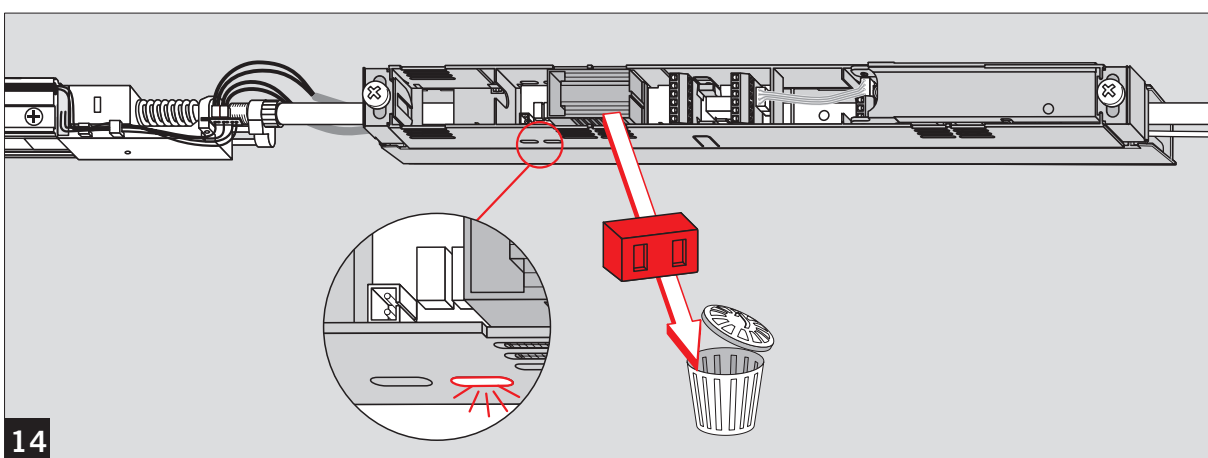




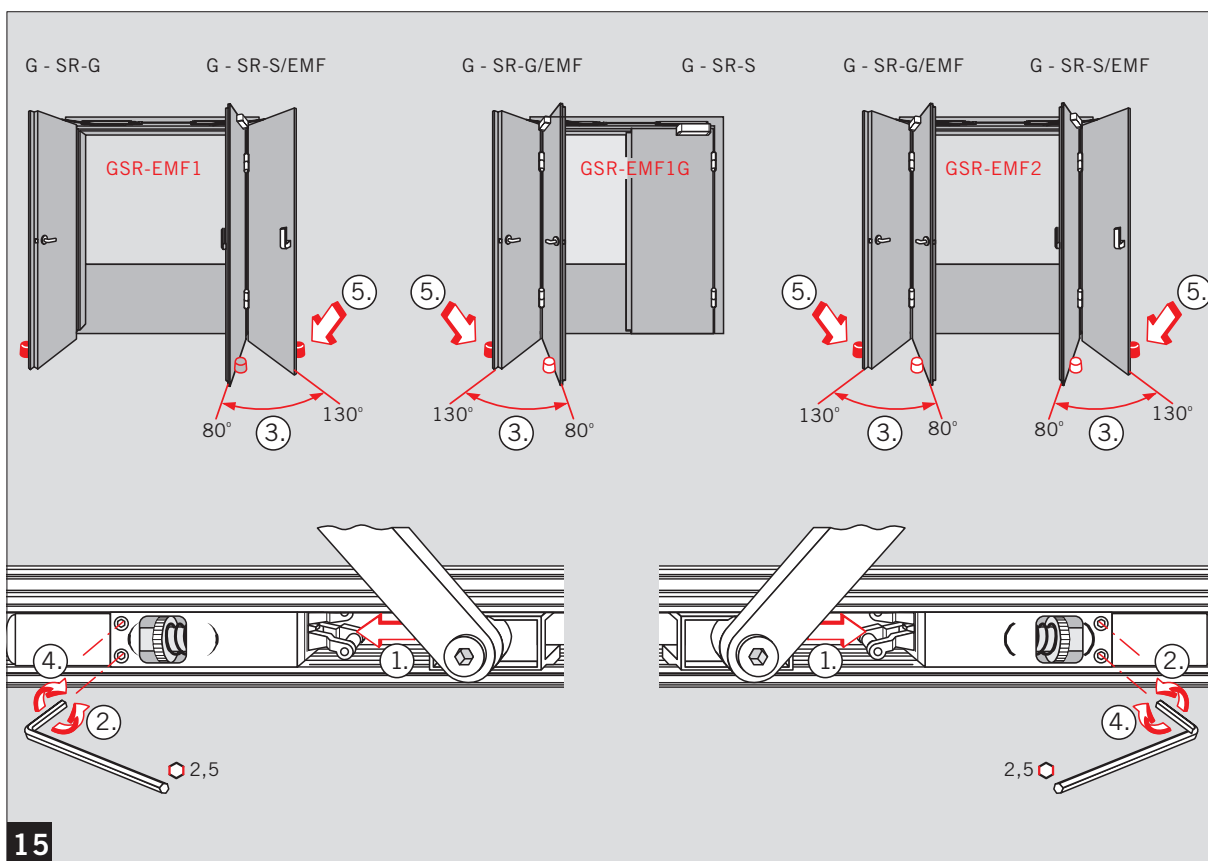




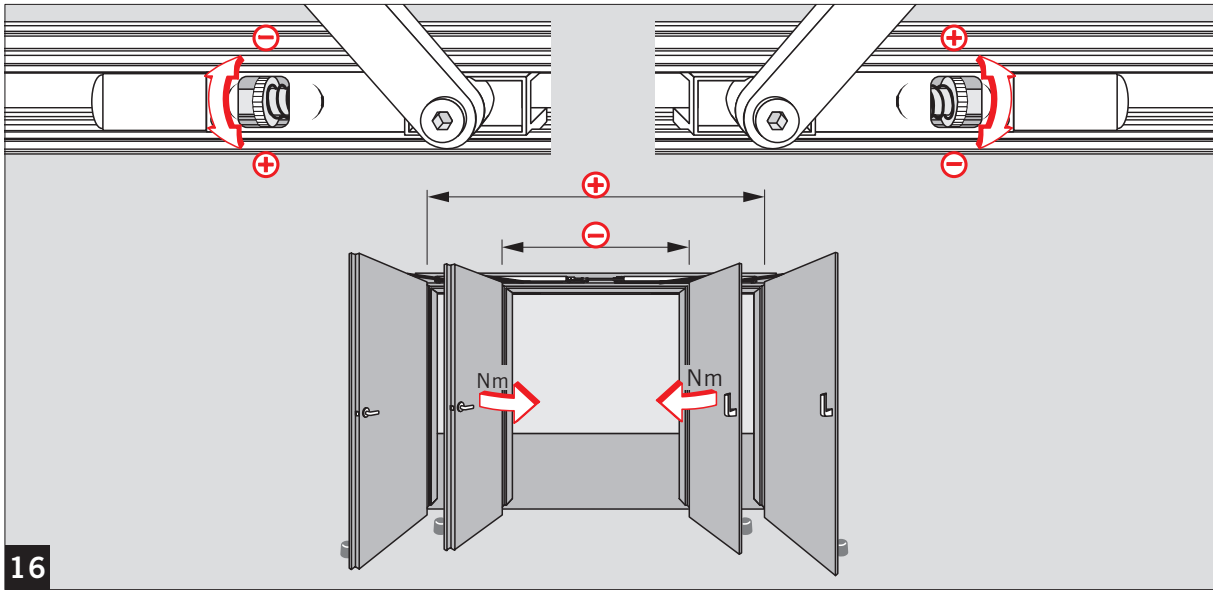
13



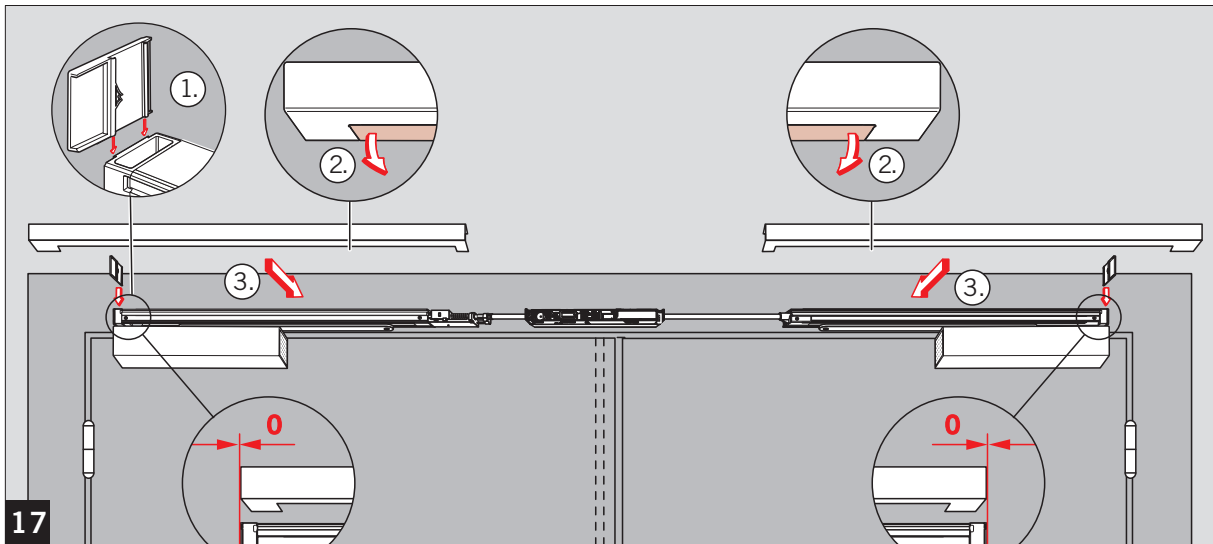
14



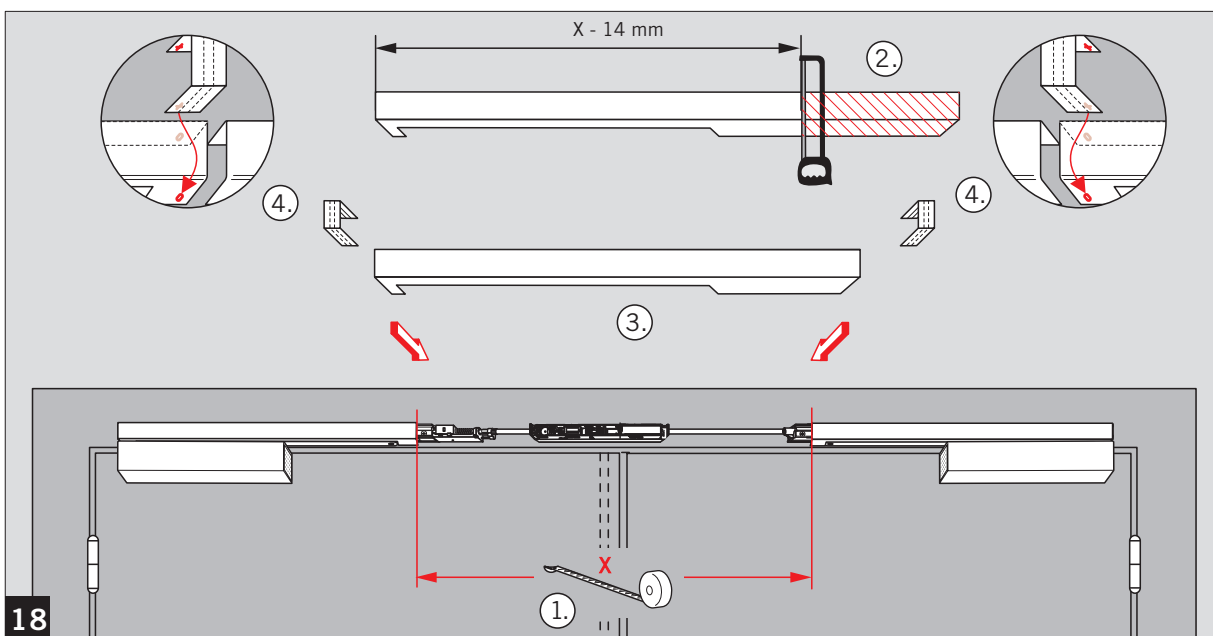
15



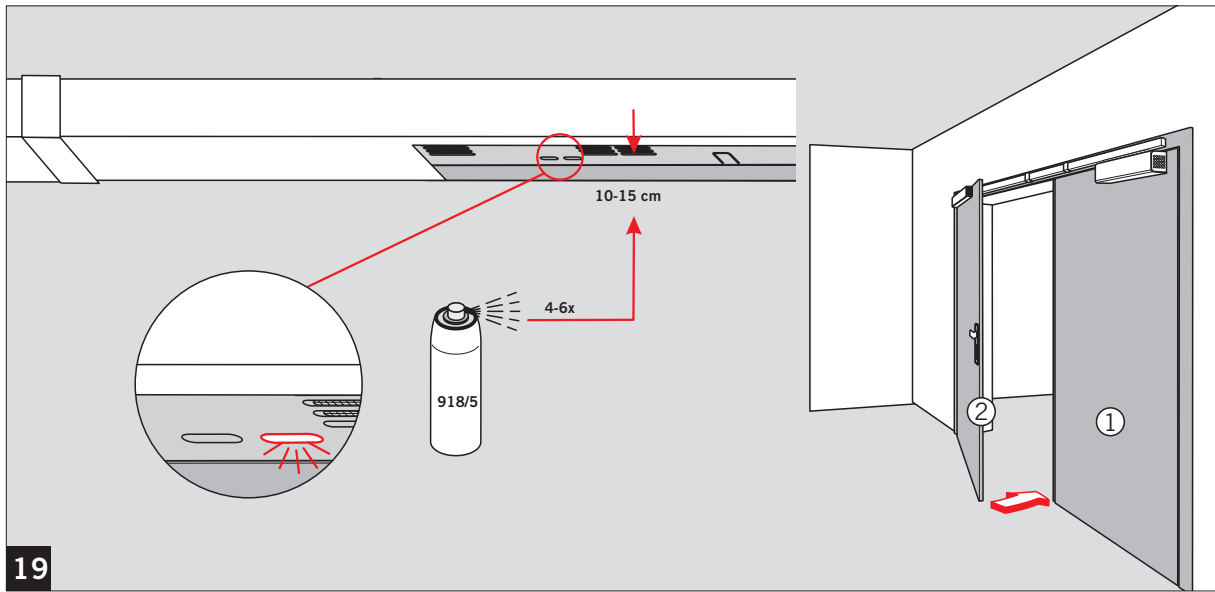
16



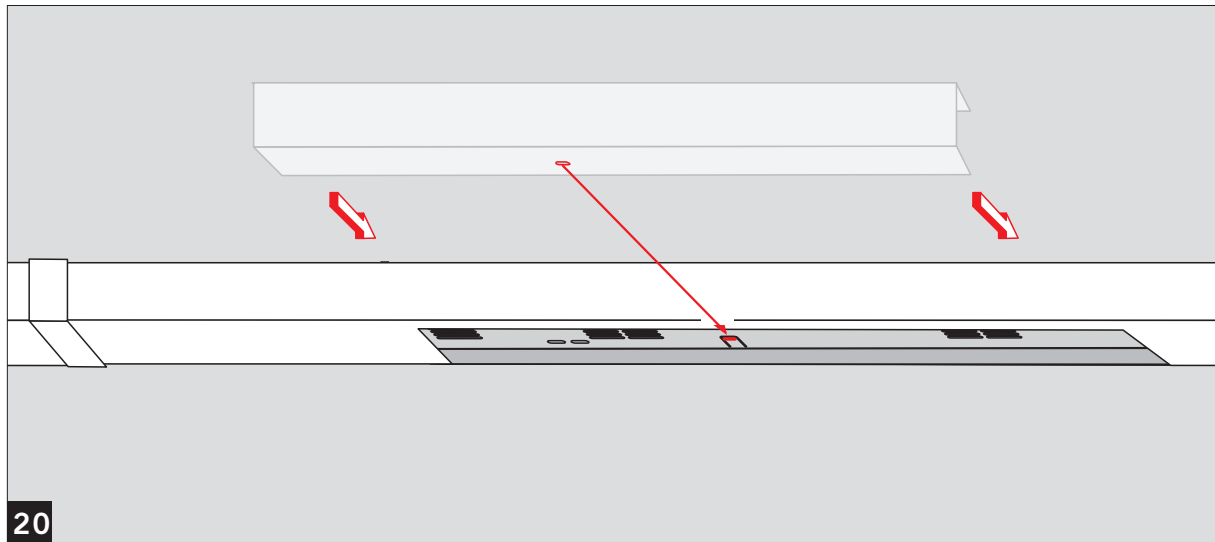
17



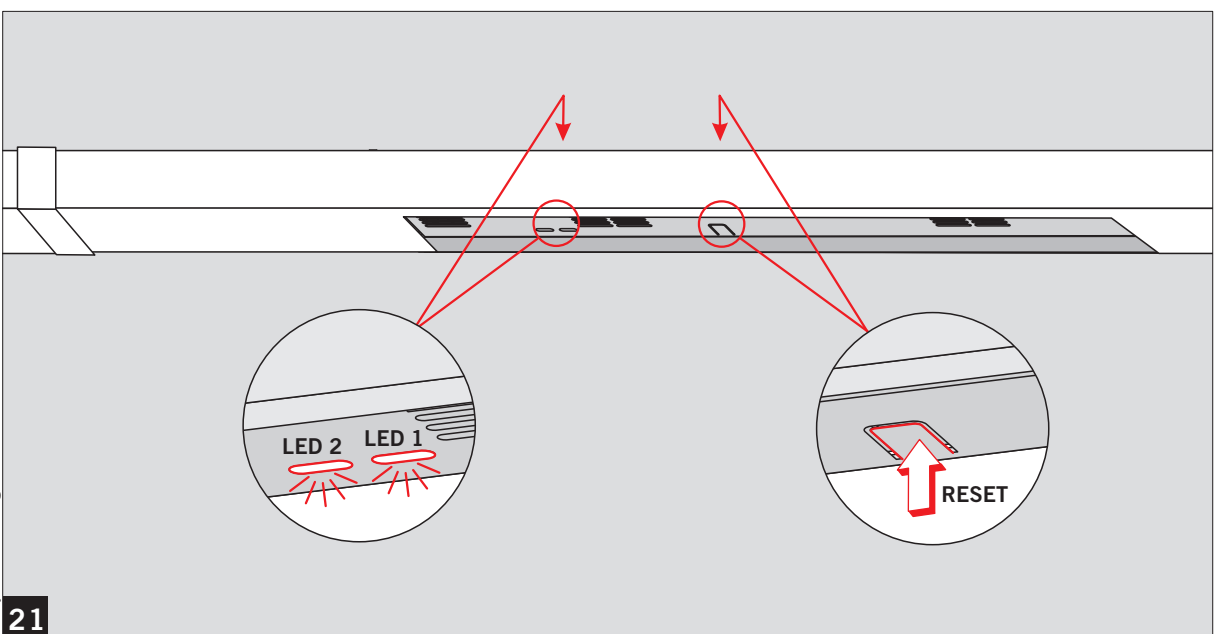
18



19



20



21

Änderungen vorbehalten
Subject to change without notice