



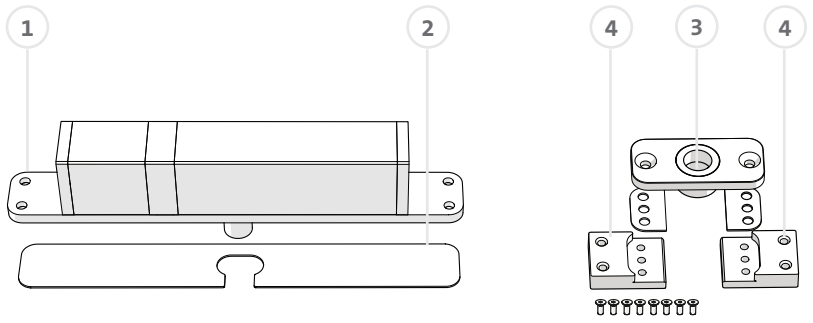
FritsJurgens®

TOP PIVOT REVERSED
MILLING AND MOUNTING MANUAL

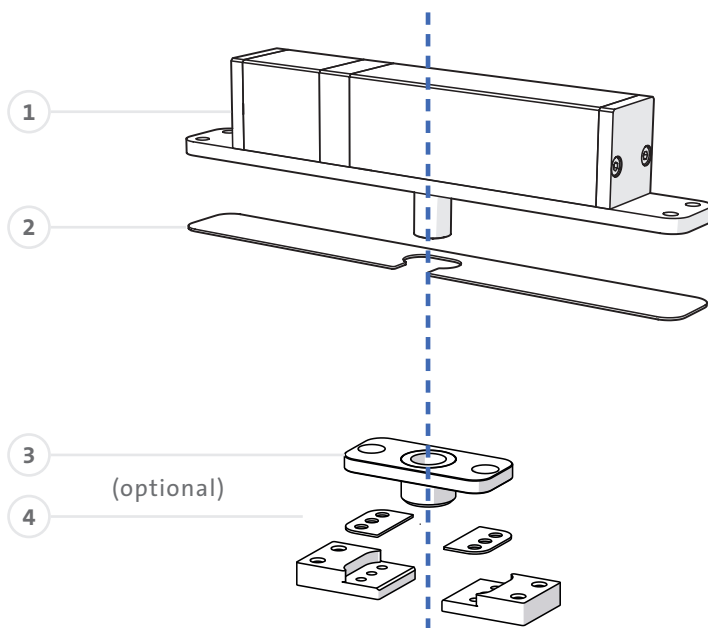
BOX CONTENTS

COMPONENTS

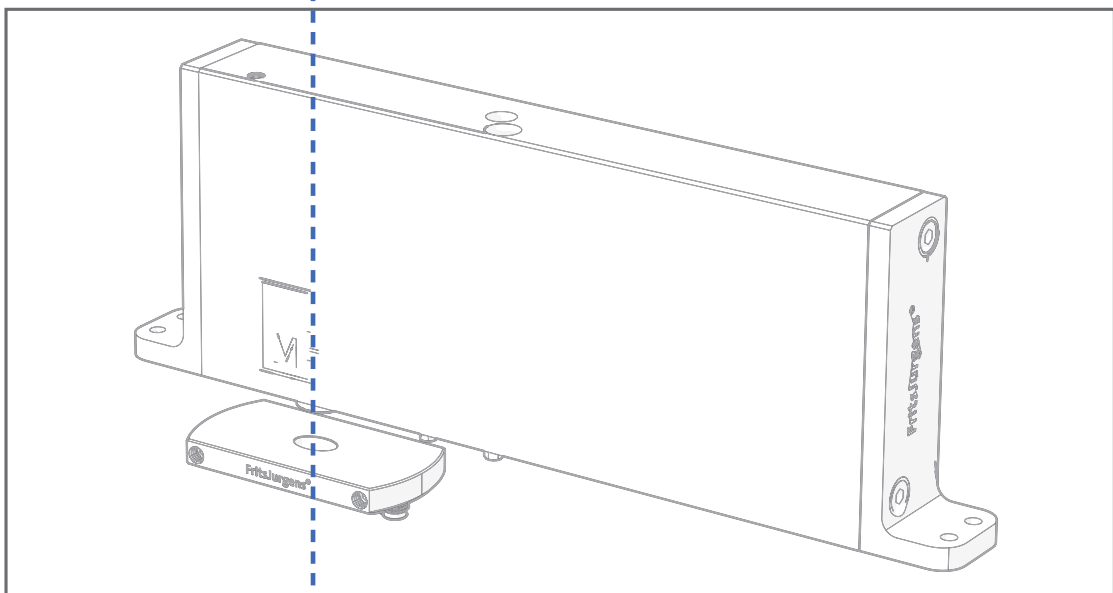
- 1 Top pivot Reversed
- 2 Cover plate
- 3 Receiver
- 4 Adapters with filler plates (optional)



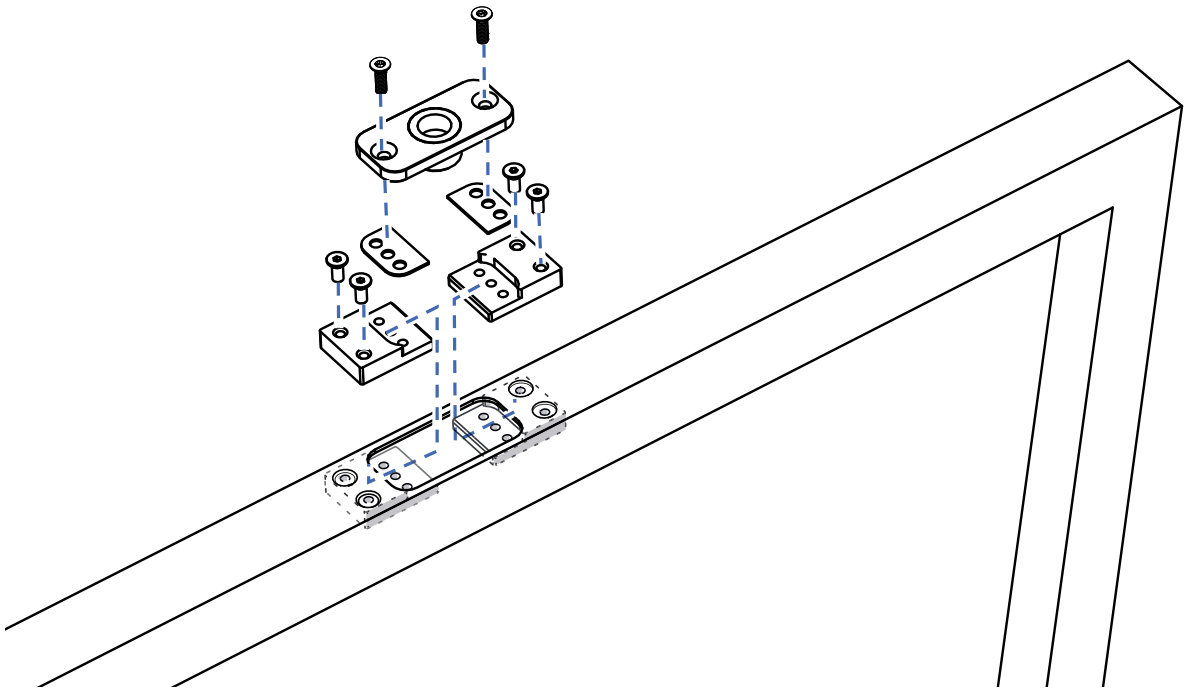
SYSTEM OVERVIEW



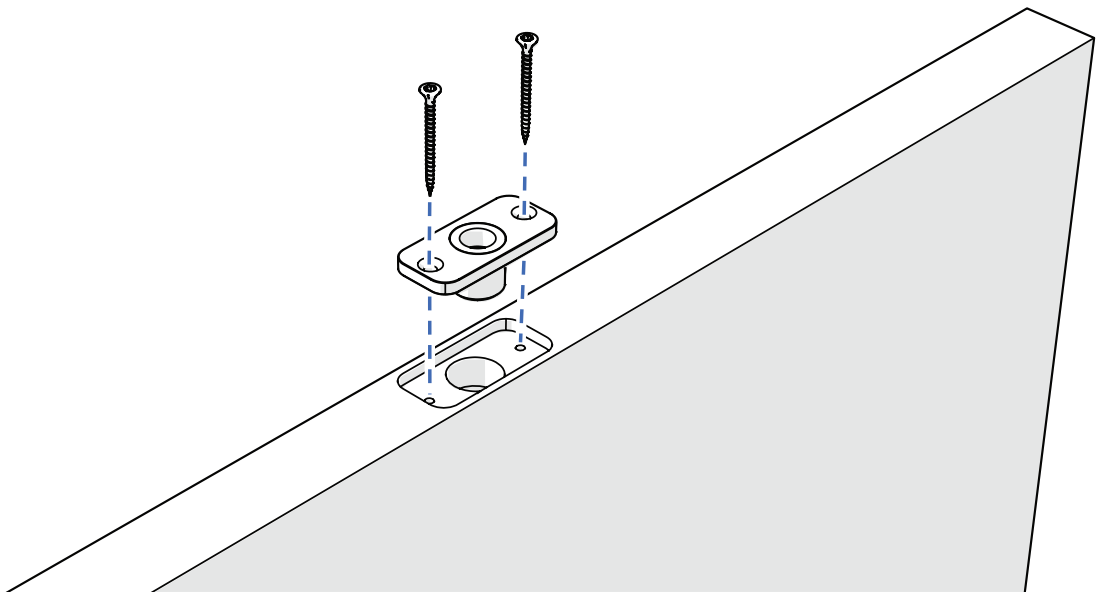
Milling and mounting instructions bottom pivot → **main manual**



MILLING INSTRUCTIONS



Situation in steel/aluminum



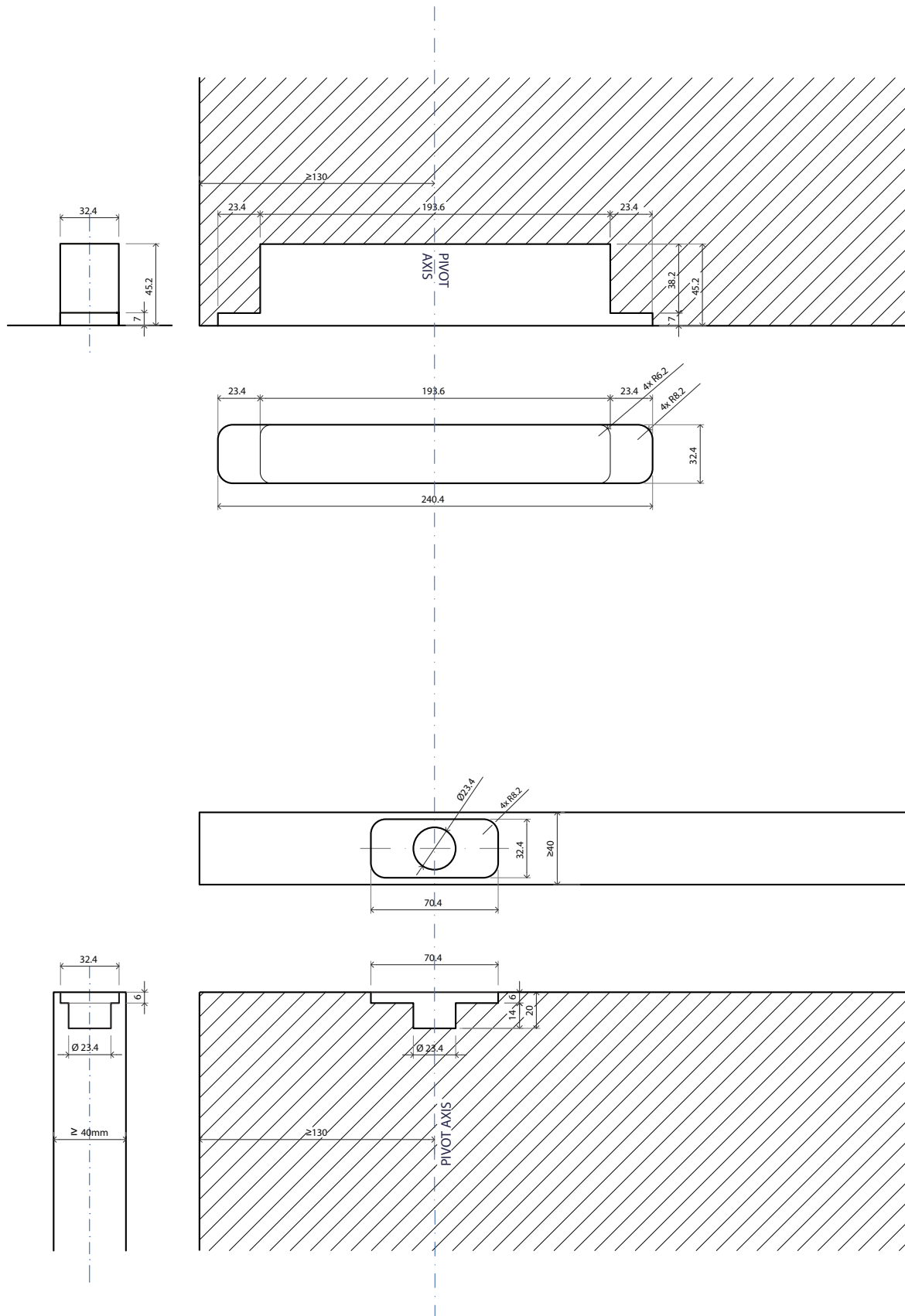
Situation in wood → page 4

MOUNTING INSTRUCTIONS

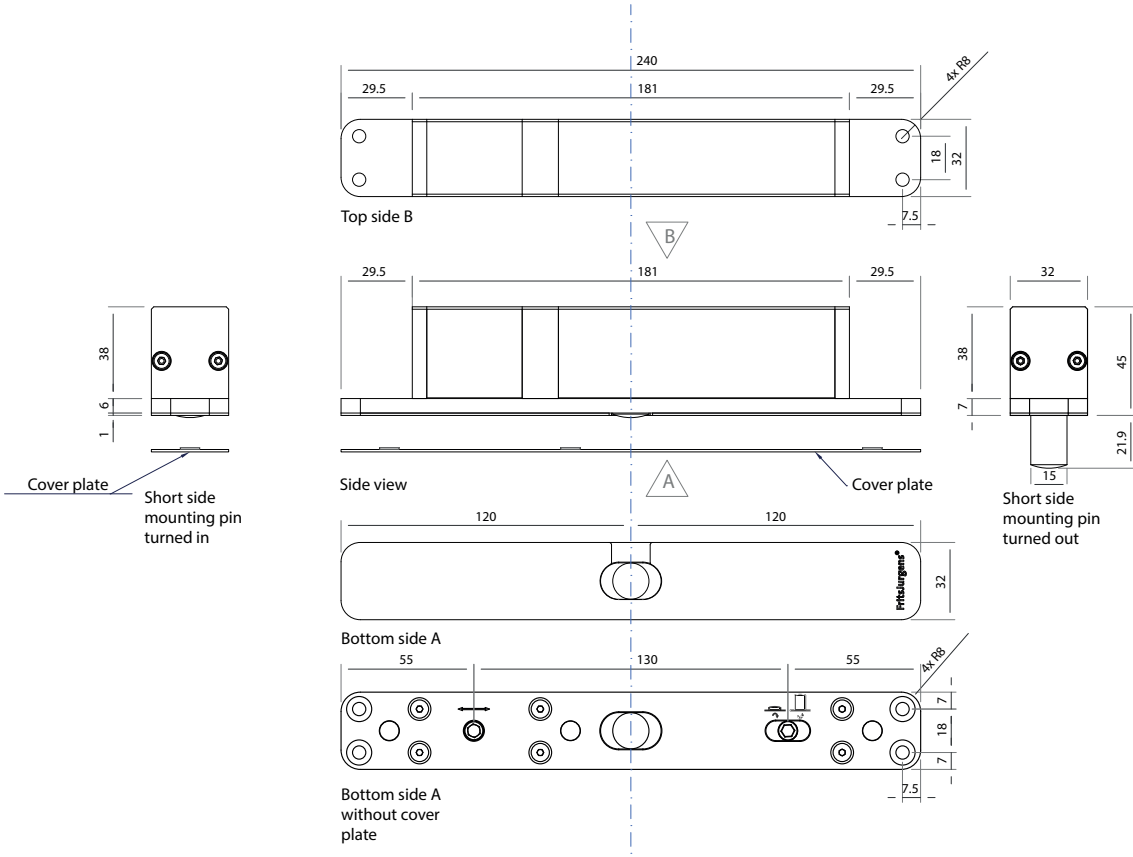
→ page 6

MILLING

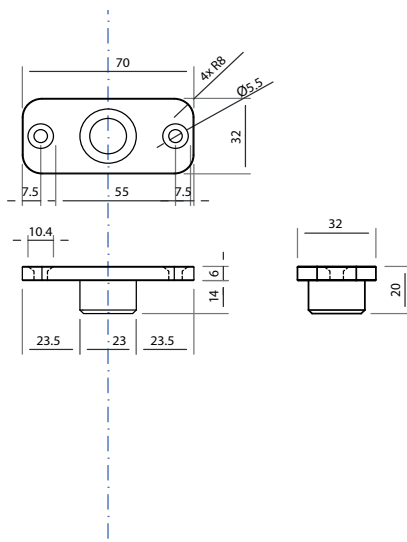
PREPARING THE DOOR AND CEILING/SILL



COMPONENTS



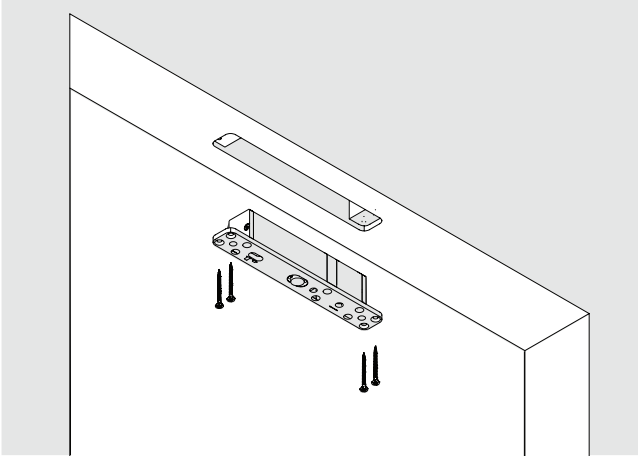
Top pivot Reversed



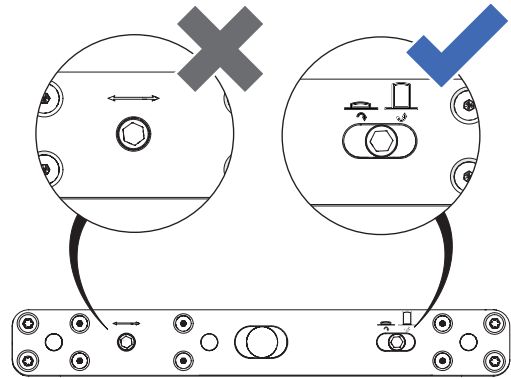
Receiver

MOUNTING

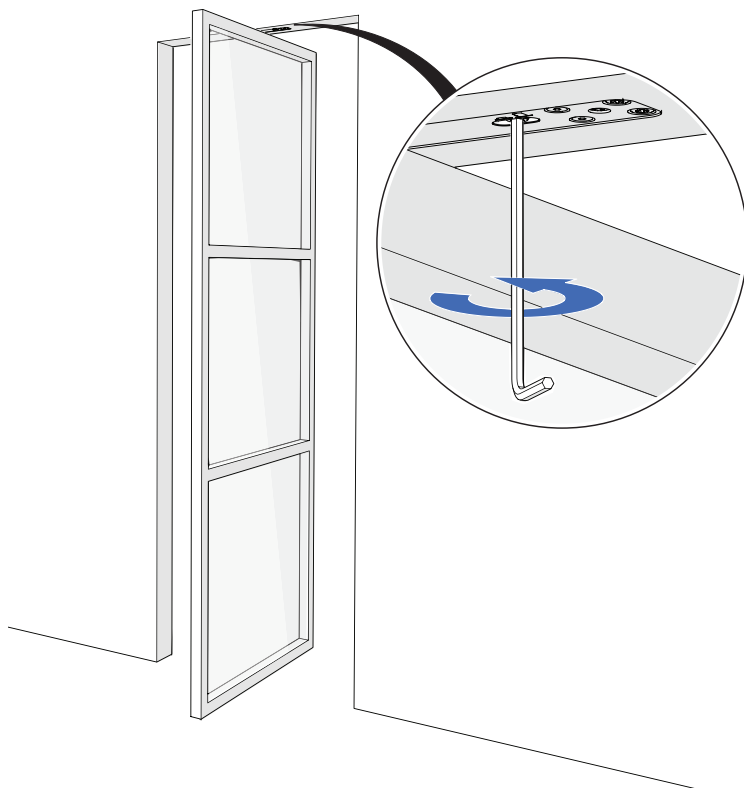
1 Affix the Top pivot Reversed.



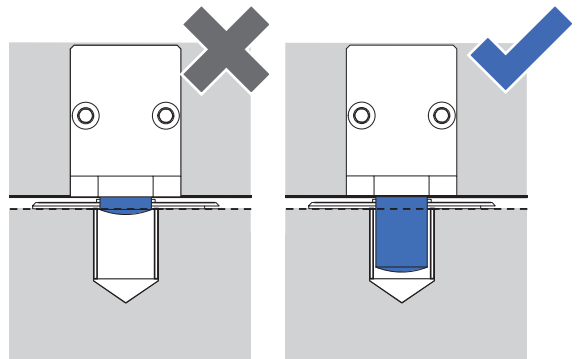
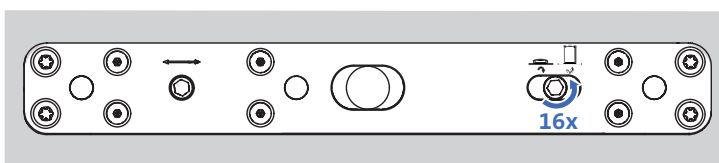
2 Identify the adjusting screw that extends the pivot.



3 Position the door on the floor plate as shown in the main manual.

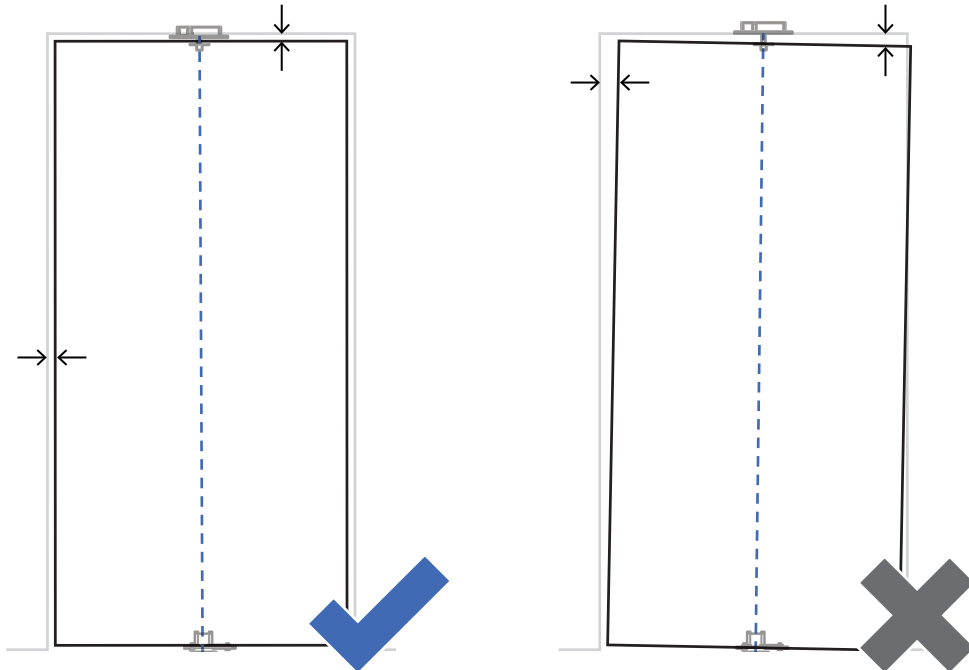


4 Extend the pivot with Allen key 5. Turn the Allen key 16 times to fully extend the pivot.



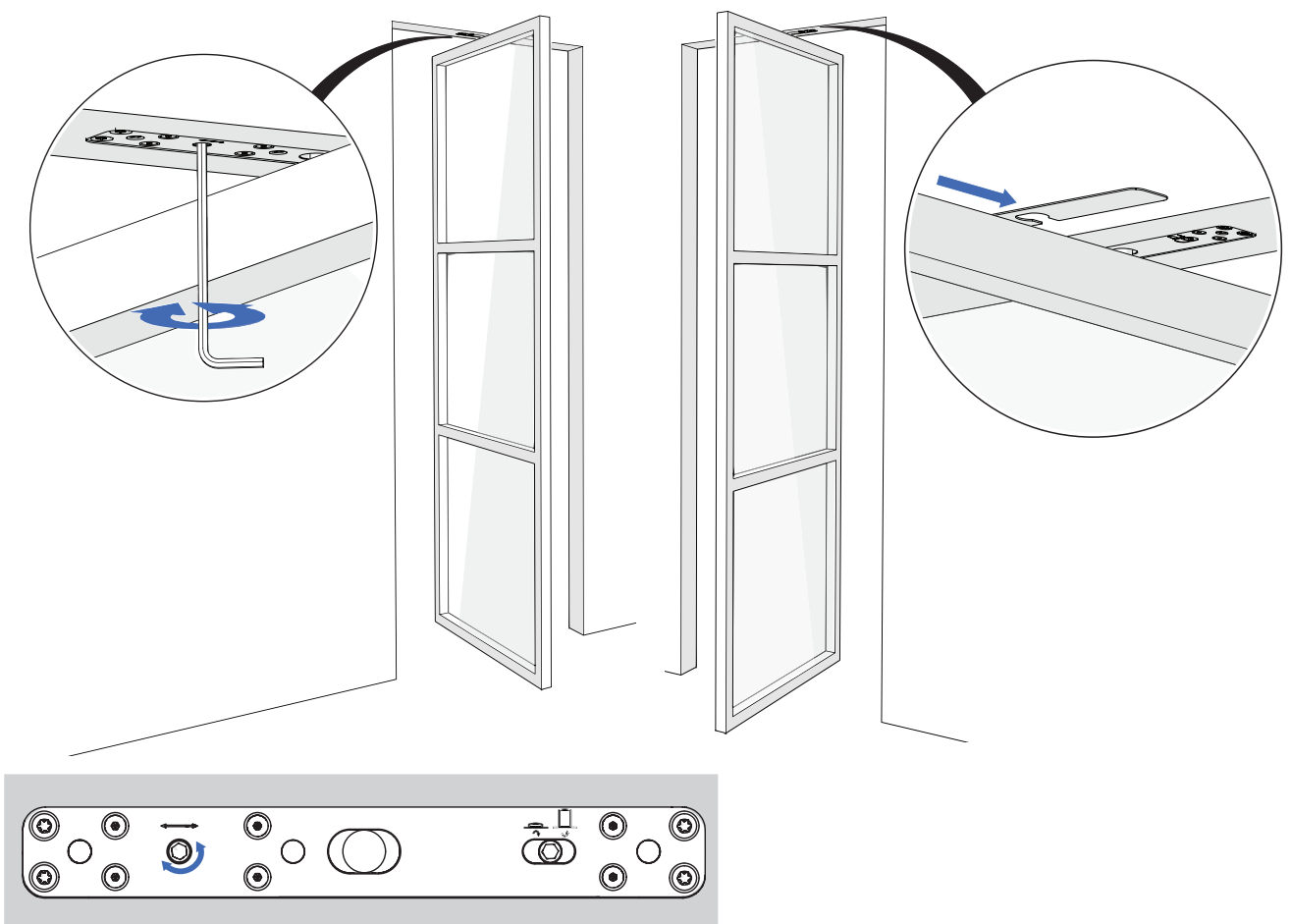
FINE-TUNING THE CLOSING SEAM

- 1 Check if the door is aligned parallel to the ceiling and the wall.



- 2 Open the door. Use Allen key 5, and the adjustment screw marked \longleftrightarrow until the door is aligned parallel to the ceiling and the wall.

- 3 Affix the magnetic cover plate.



FritsJurgens®

FRITSJURGENS INTERNATIONAL

A. Einsteinlaan 1

9615 TE Kolham

The Netherlands

+31 598 343 410

info@fritsjurgens.com

FRITSJURGENS ITALIA (COMMERCIAL OFFICE)

Via Marsilio Ficino 22

50132 Firenze

Italy

+39 055 064 0290

info@fritsjurgens.com

FRITSJURGENS CONSULTING FZE (REGIONAL SALES OFFICE)

Premises No. HD67

Floor 25

Sheikh Rashid Tower

Dubai World Trade Centre

Dubai UAE

FJ.IN.TP-R.EN.2022

copyright © FritsJurgens®

02-03-2023



8 720681 604411 >