

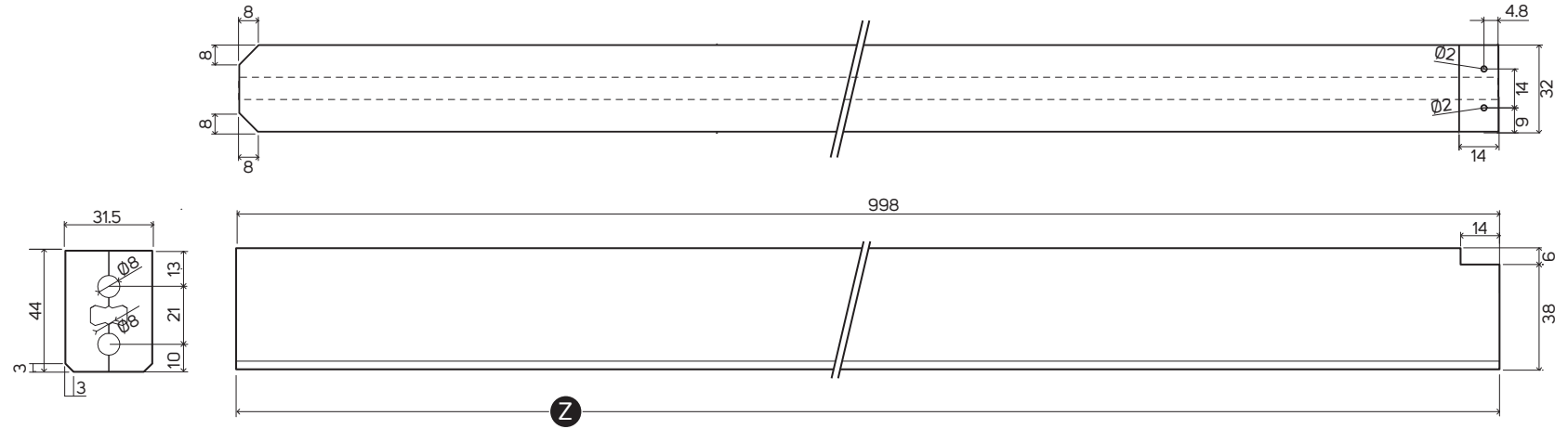
# FritsJurgens®

## HEXAGON GUIDE

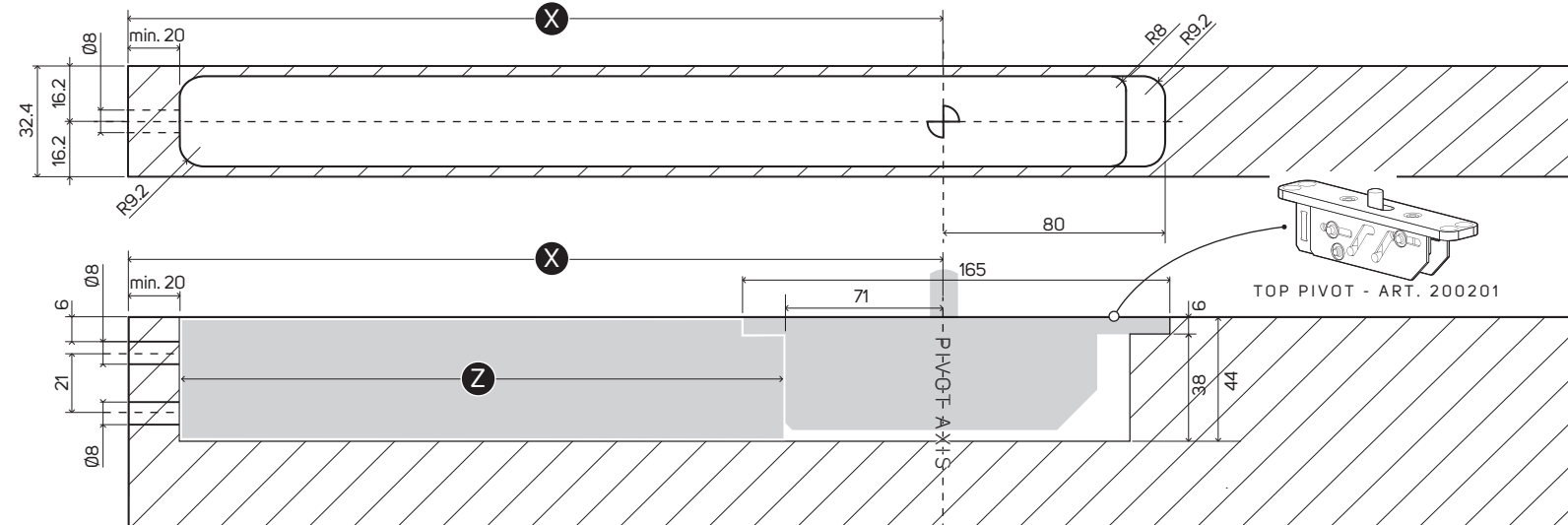
ART.706000

ART.706200

### TECHNICAL DRAWINGS (in mm)

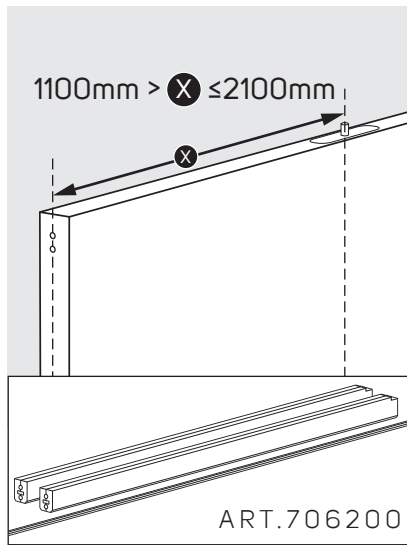
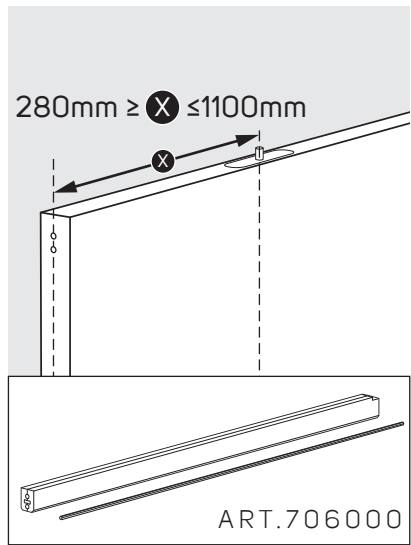


### MILLING DRAWINGS (in mm)

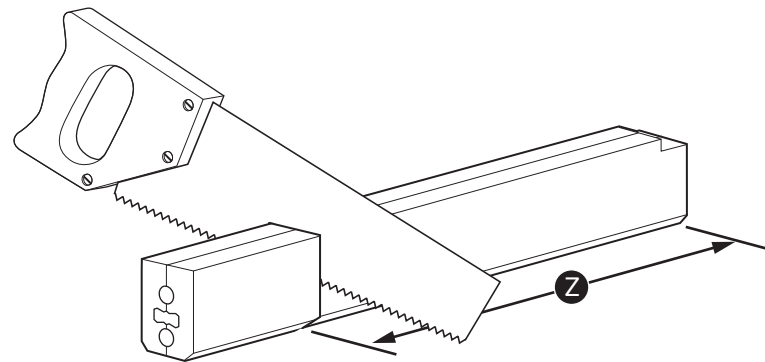


FRITSJURGENS INTERNATIONAL  
+31 598 343 410 (NLD)  
INFO@FRITSJURGENS.COM  
WWW.FRITSJURGENS.COM

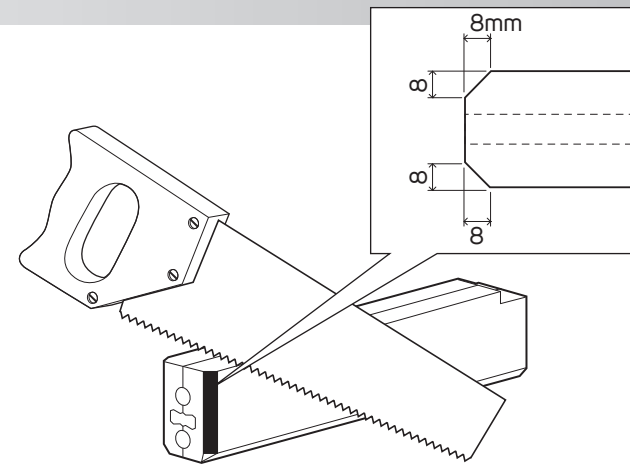




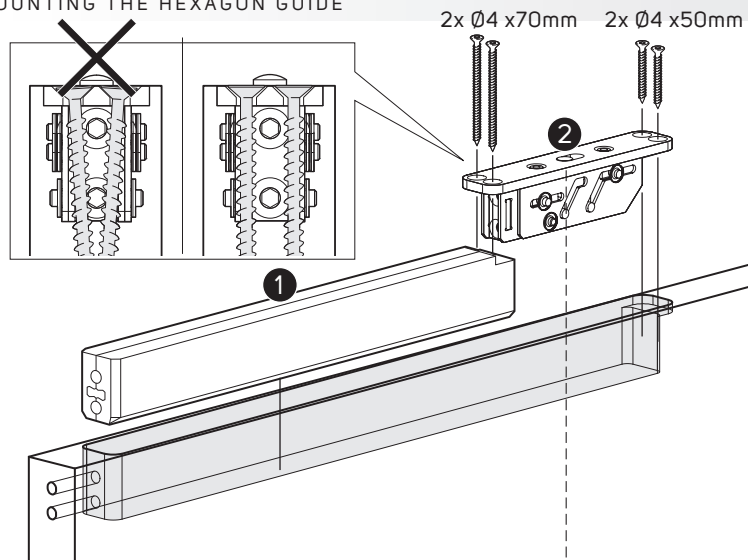
### 1 SAWING HEXAGON GUIDE TO SPECIFICATION



### 2



### 3 MOUNTING THE HEXAGON GUIDE



### 4 MOUNTING THE HEXAGON GUIDE

