



FritsJurgens®

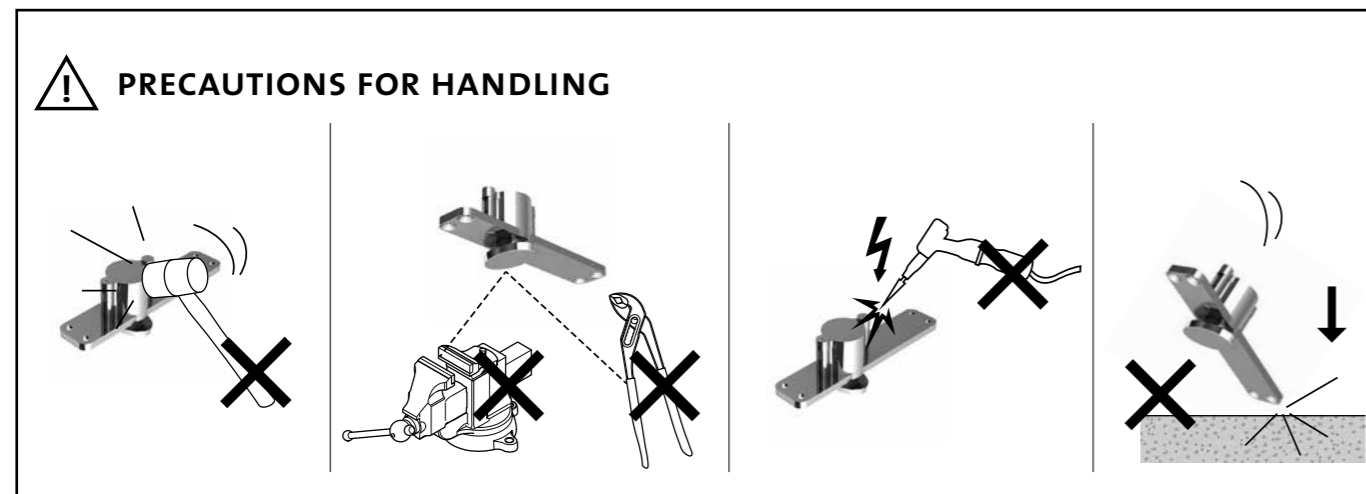
FritsJurgens Pivot Door System

# SystemOne

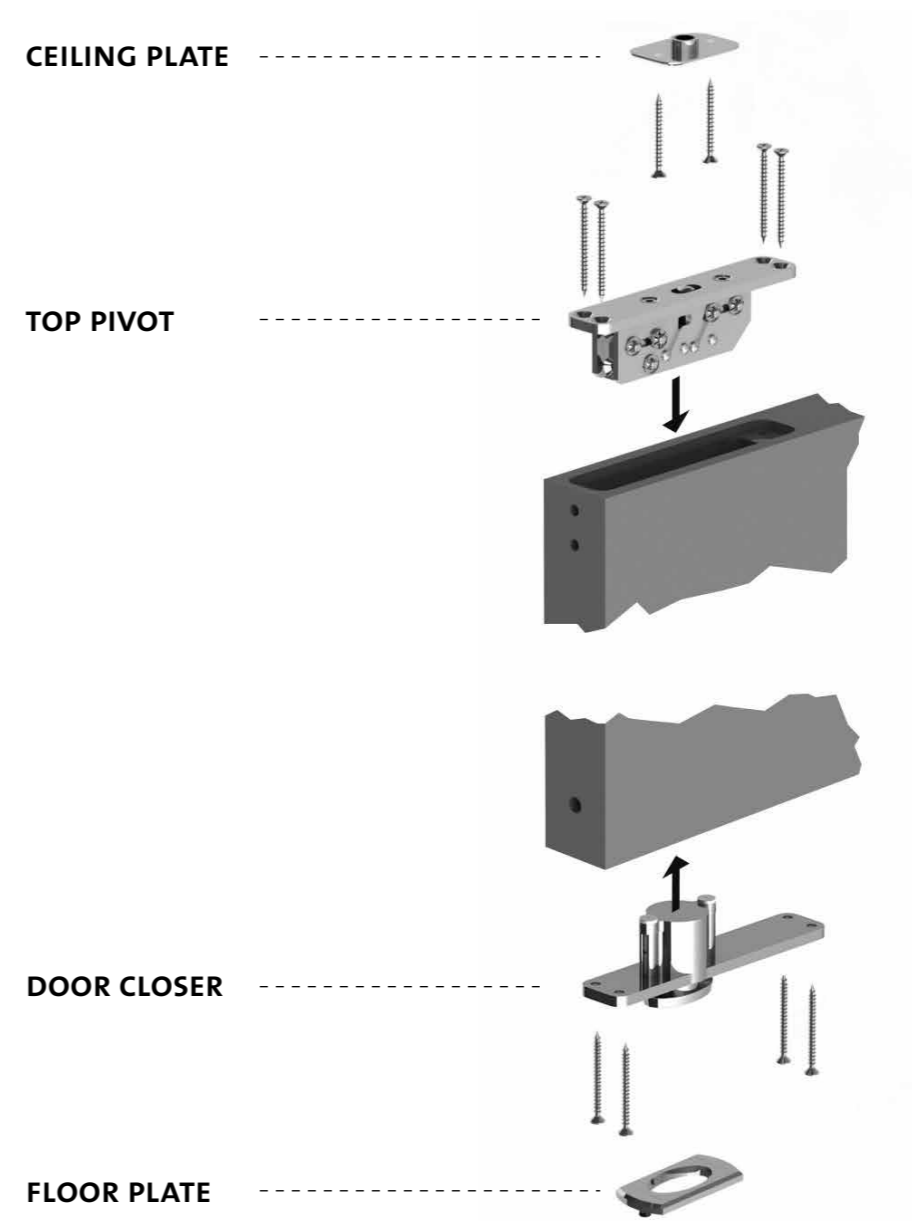
MOUNTING MANUAL  
2015-06

# INDEX

SITUATION	3
MILLING DRAWING	4
COMPONENTS	6
MANUAL	8



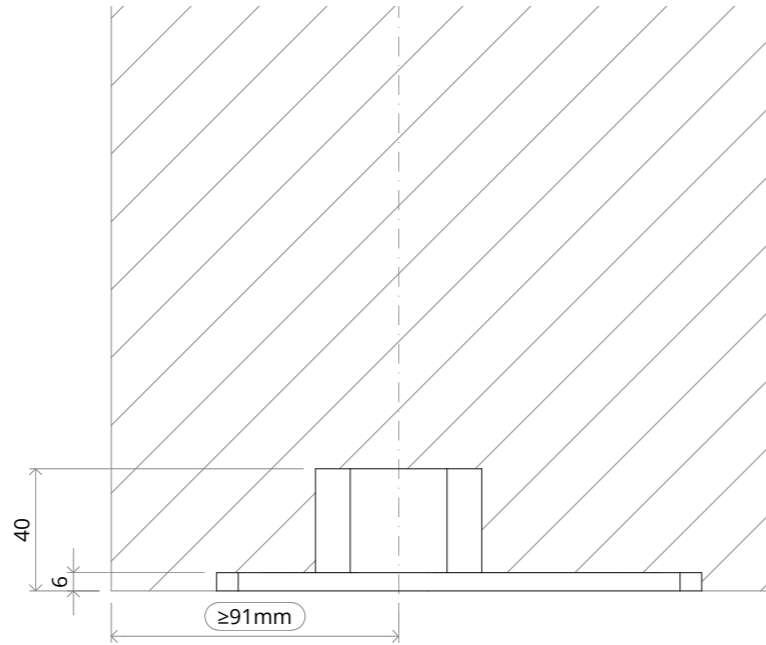
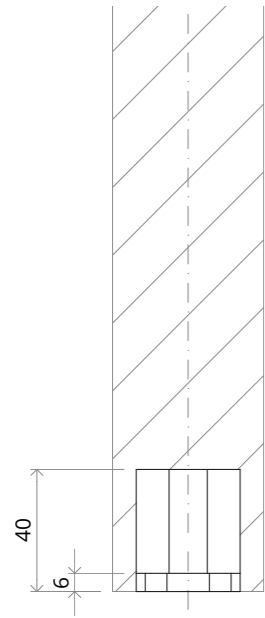
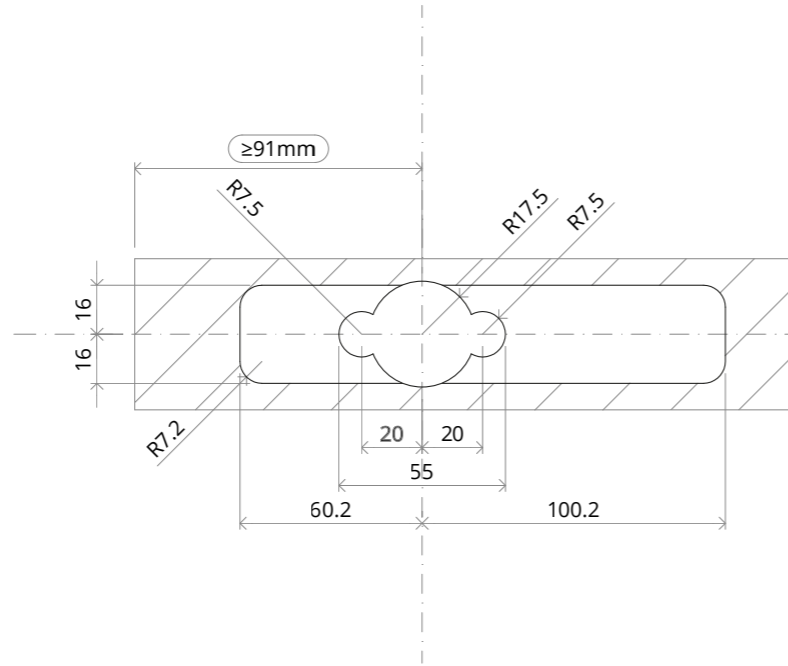
# SITUATION



# MILLING DRAWING

## BOTTOM PIVOT

FRITSJURGENS MPDS-S80 RVS 0 WS

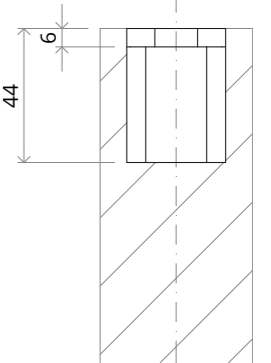
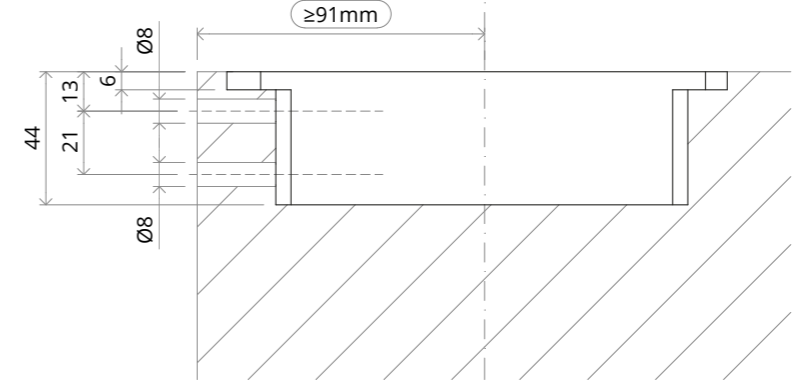
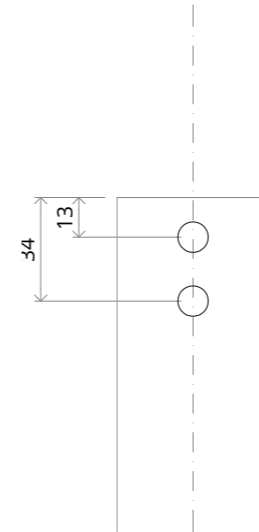
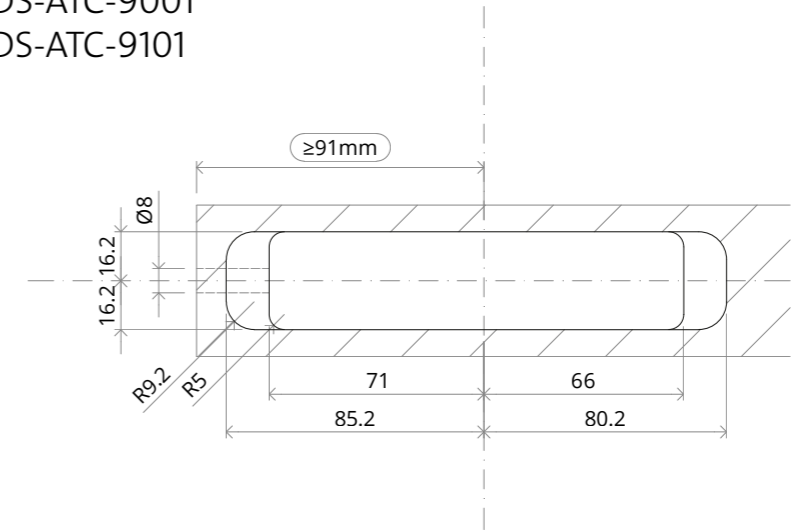


# MILLING DRAWING

## TOP PIVOT

FRITSJURGENS MPDS-ATC-9001

FRITSJURGENS MPDS-ATC-9101



## COMPONENTS



### BOTTOM PIVOT

FRITSJURGENS MPDS-S80 RVS 0 WS



### TOP PIVOT

FRITSJURGENS MPDS-ATC-9001  
FRITSJURGENS MPDS-ATC-9101 \*

\* Part deviates from picture



### FLOOR PLATE

FRITSJURGENS VP 80x40-B11 RVS  
FRITSJURGENS VPR 80-B01 RVS \*  
FRITSJURGENS VP 82x52-B01 RVS \*

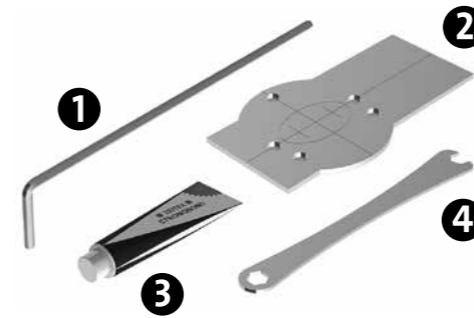
\* Part deviates from picture



### CEILING PLATE

FRITSJURGENS PP 40x60-B11 RVS  
FRITSJURGENS PPR 80-B01 RVS \*  
FRITSJURGENS PP 40x60-B9101 \*

\* Part deviates from picture



### MOUNTING PACKAGE

FRITSJURGENS MP F-M SERIES

1. Allen wrench
2. Fitting template
3. Fitting adhesive \*
4. Adjustment spanner

\* For bro's floors use chemical mortar



### SCREWS

FRITSJURGENS FASTENING

- A. Screw 6 x 60 RVS (2x)
- B. Screw 4 x 50 RVS (8x)

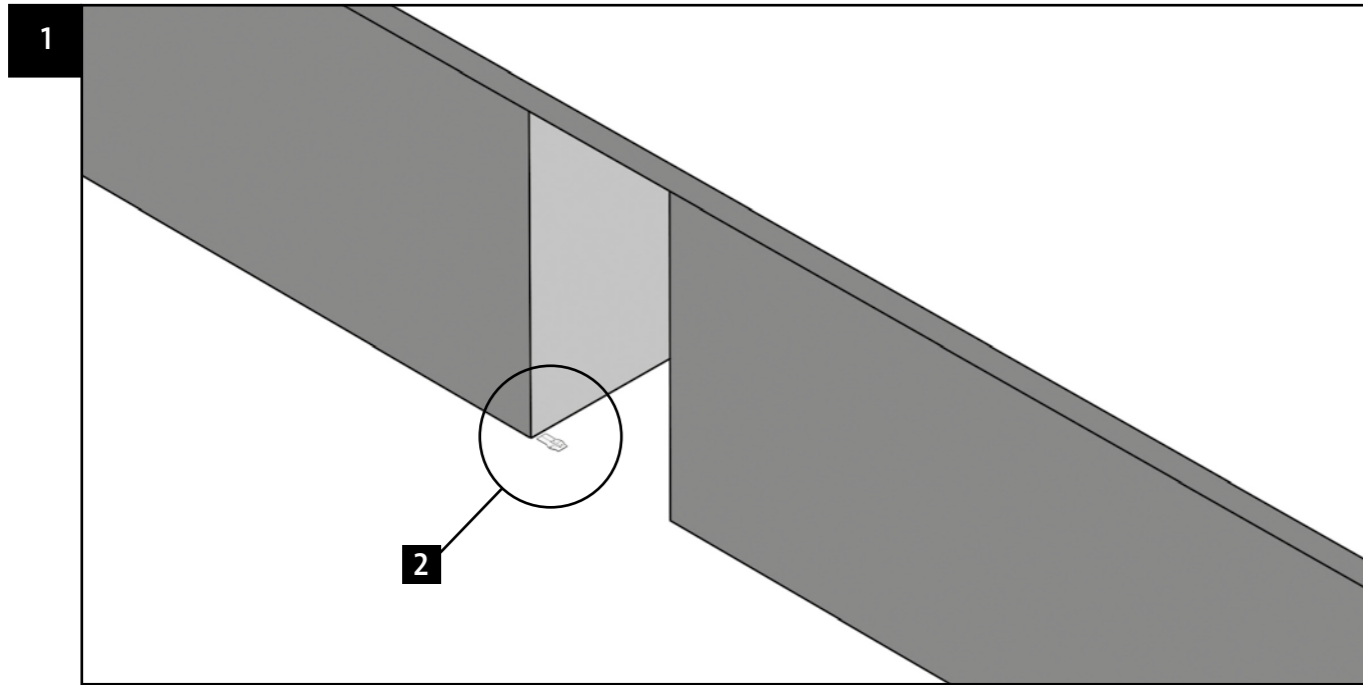


IMAGE FJ01

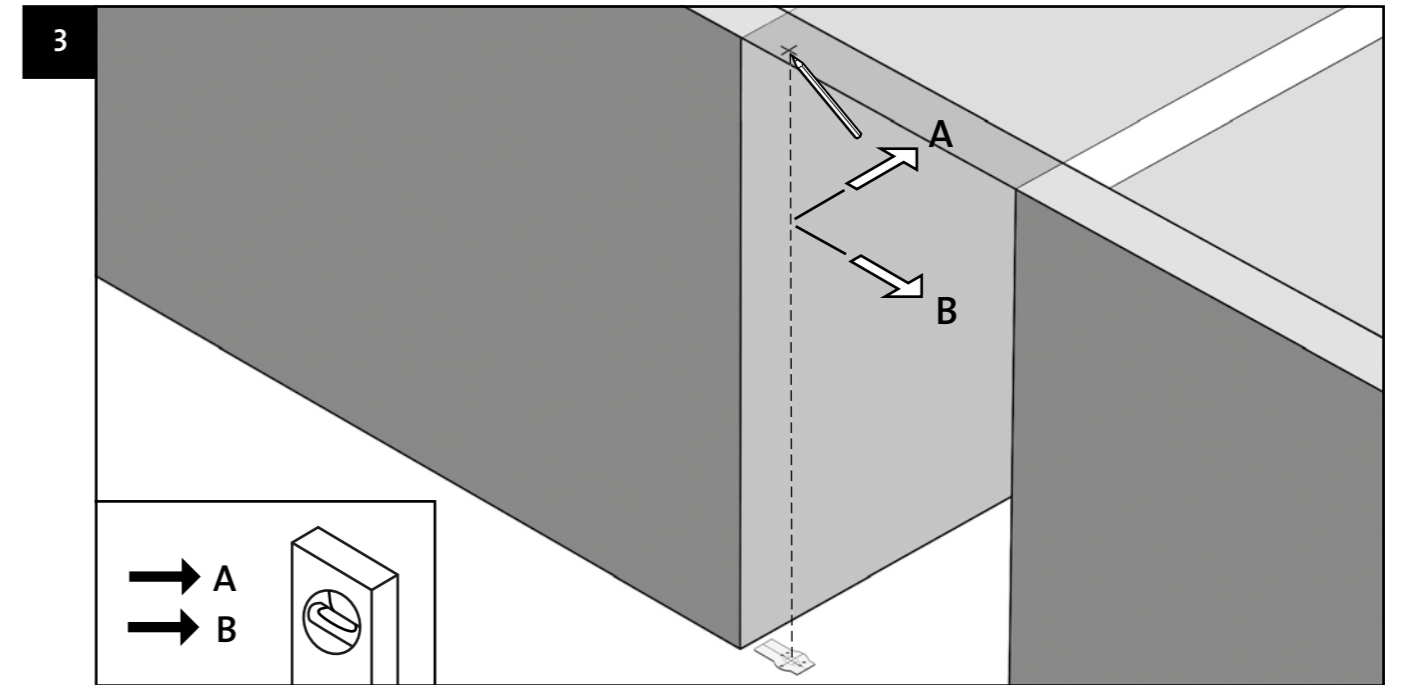


IMAGE FJ03

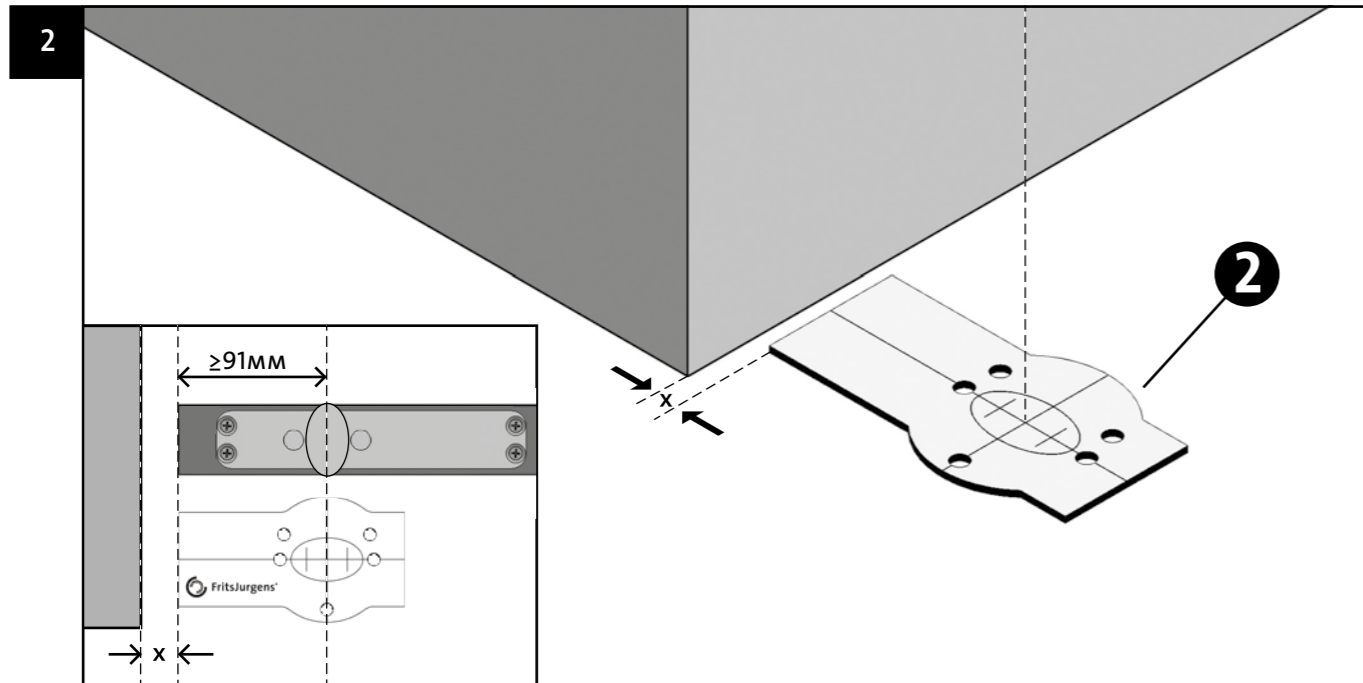


IMAGE FJ02

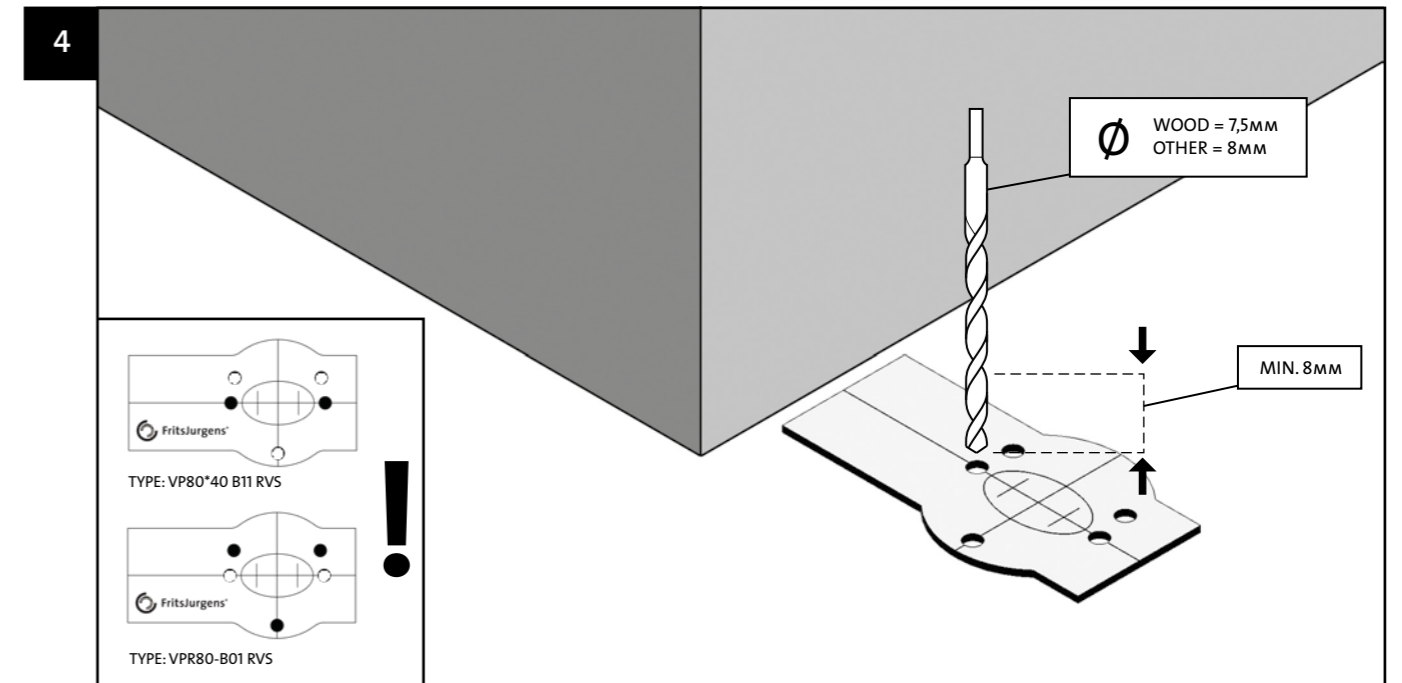


IMAGE FJ04

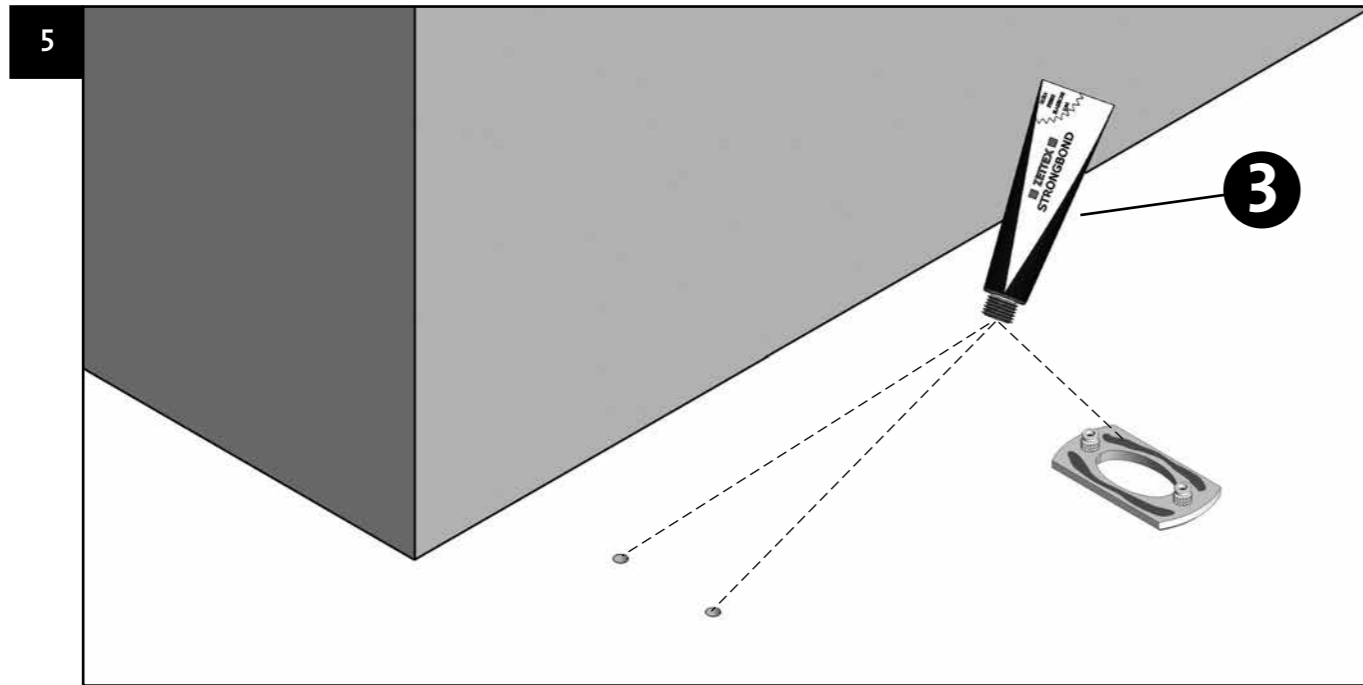


IMAGE FJ05

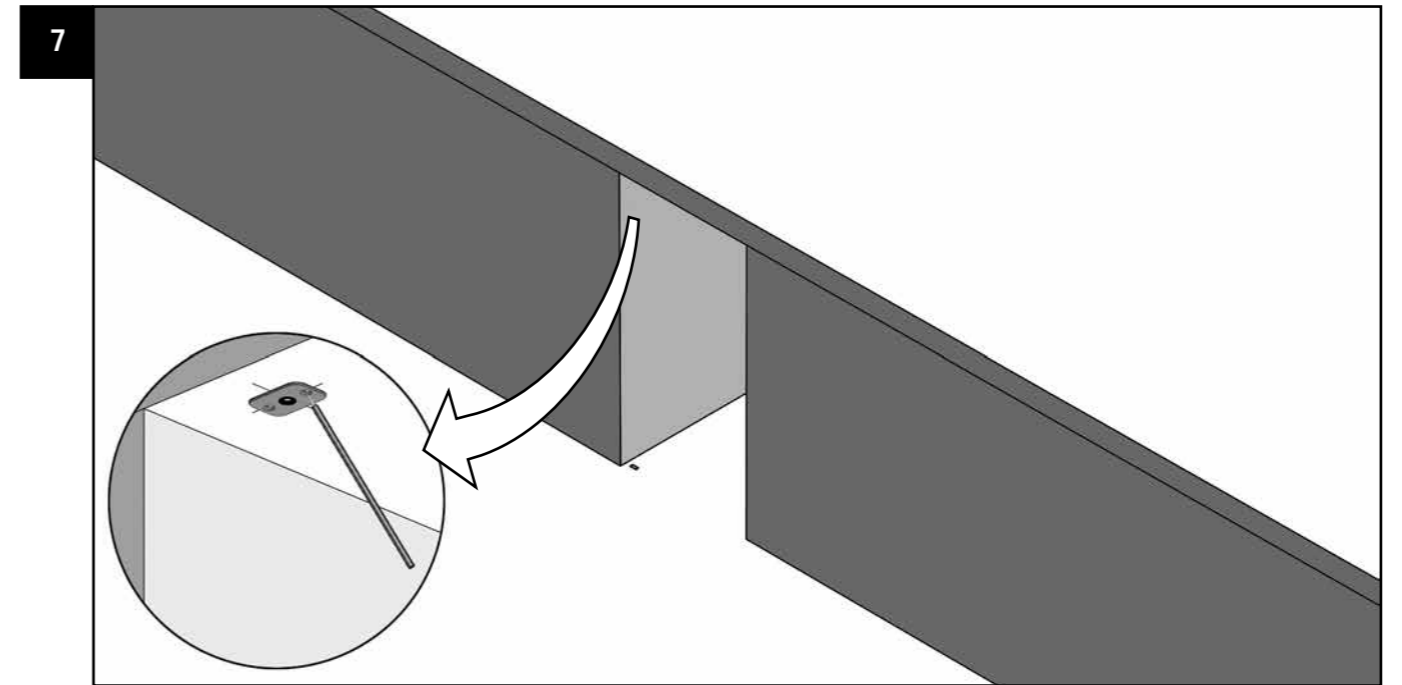


IMAGE FJ07

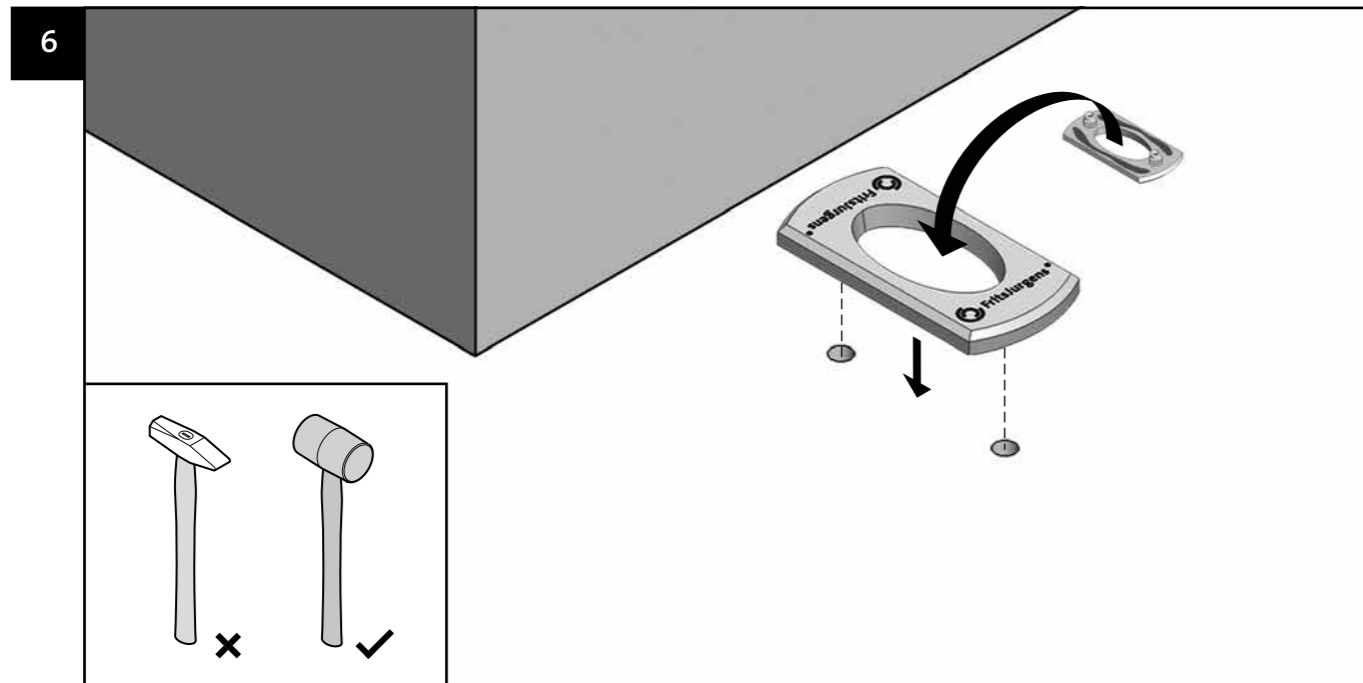


IMAGE FJ06

8	WOOD		A
	STONE		*  +  A
	STEEL		*  M5

\* EXCL.

IMAGE FJ08

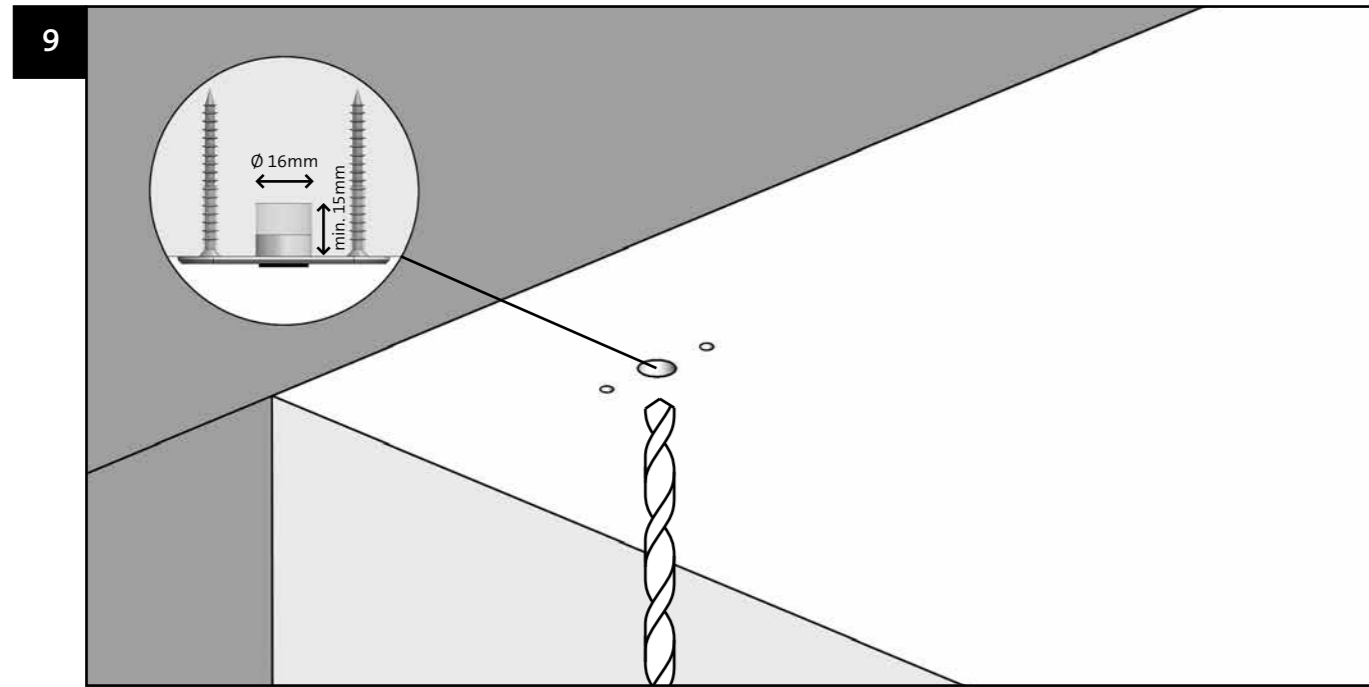


IMAGE FJ09

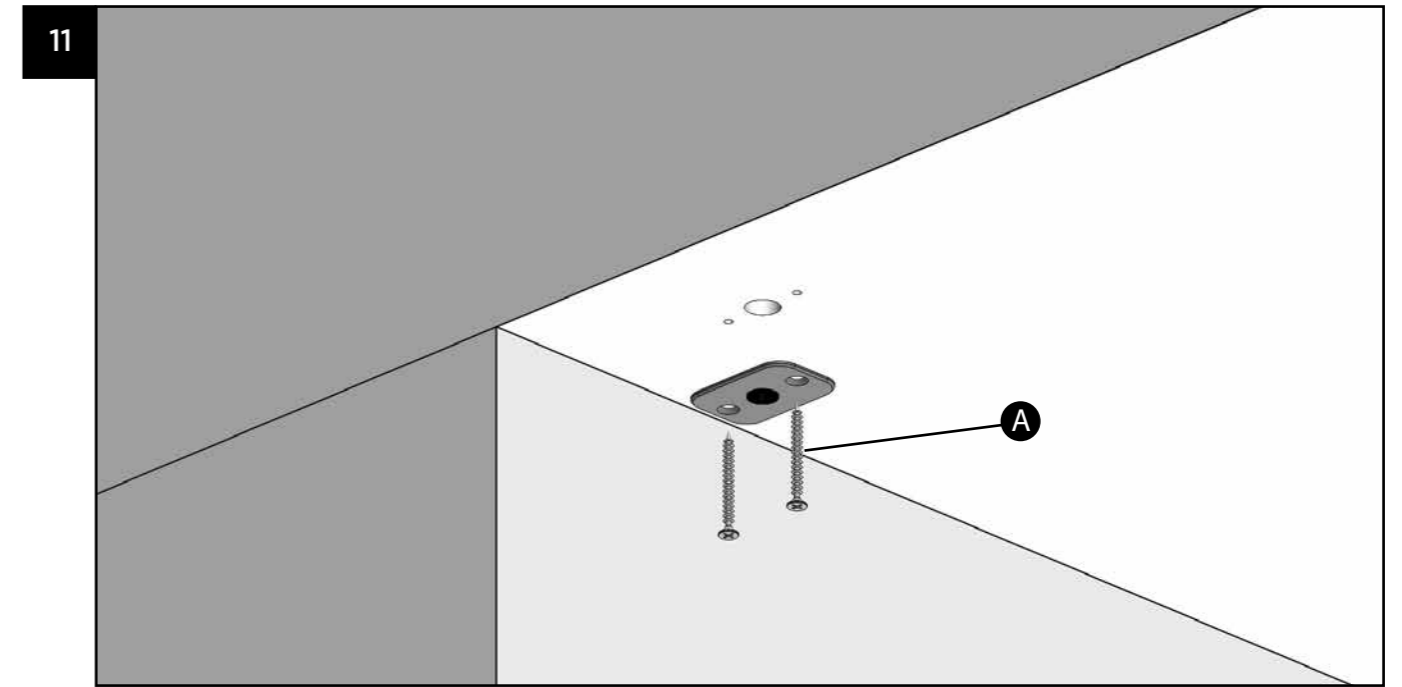


IMAGE FJ11

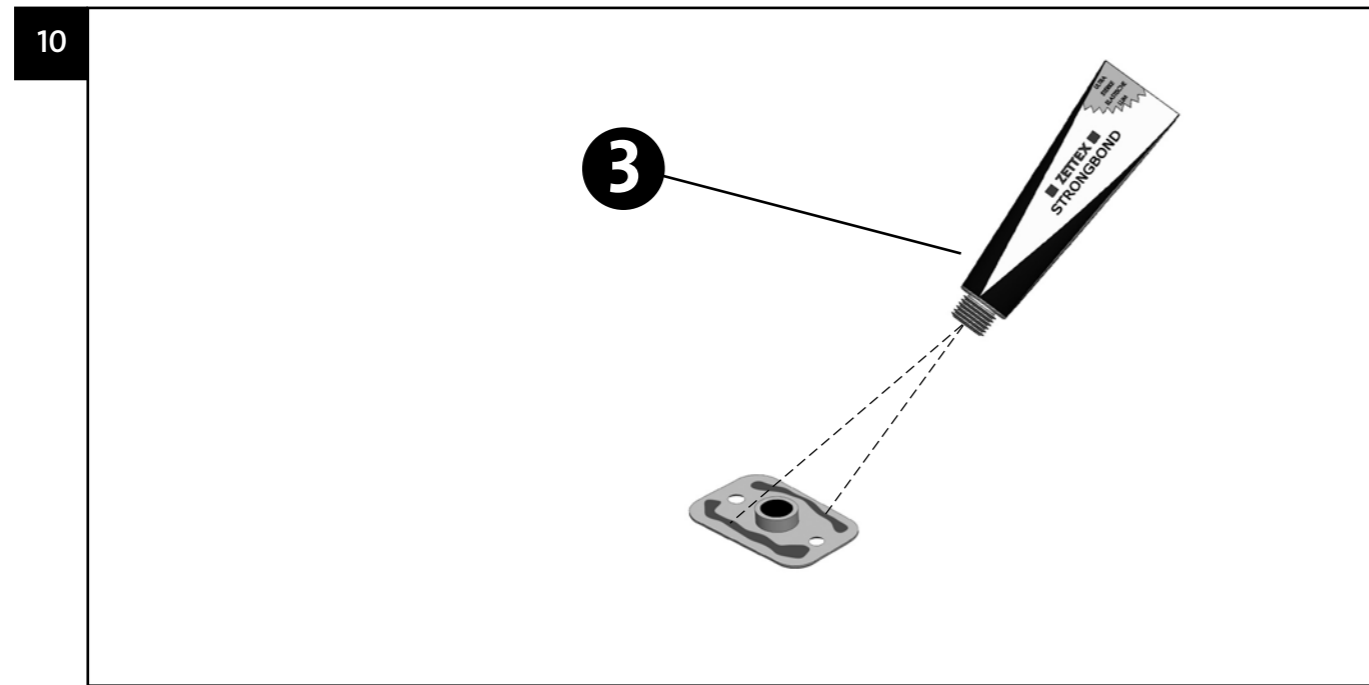


IMAGE FJ10

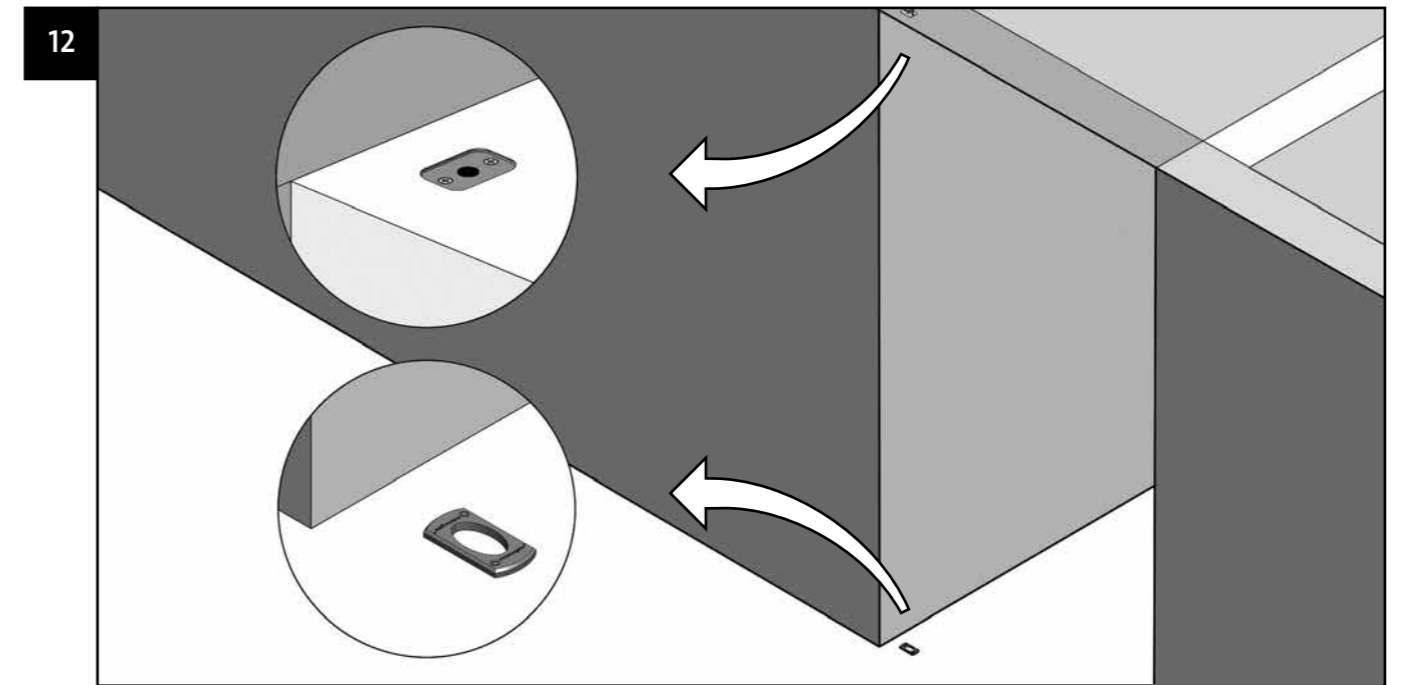


IMAGE FJ12

13

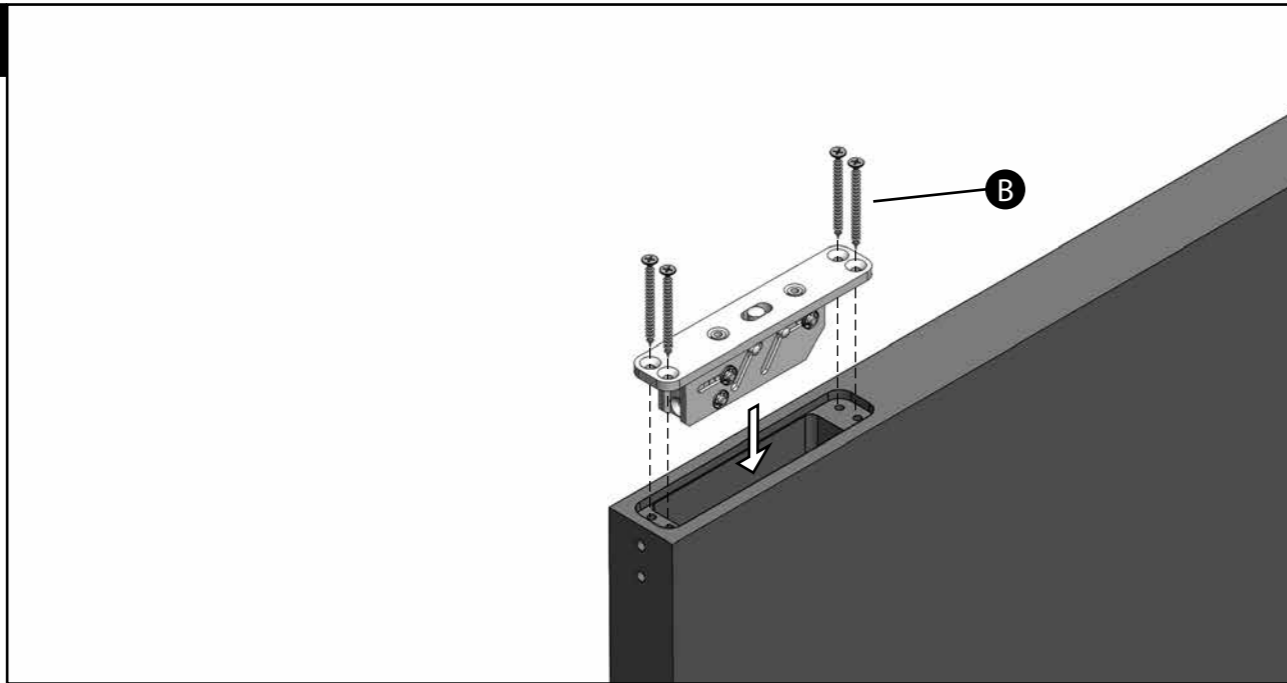


IMAGE FJ13

15

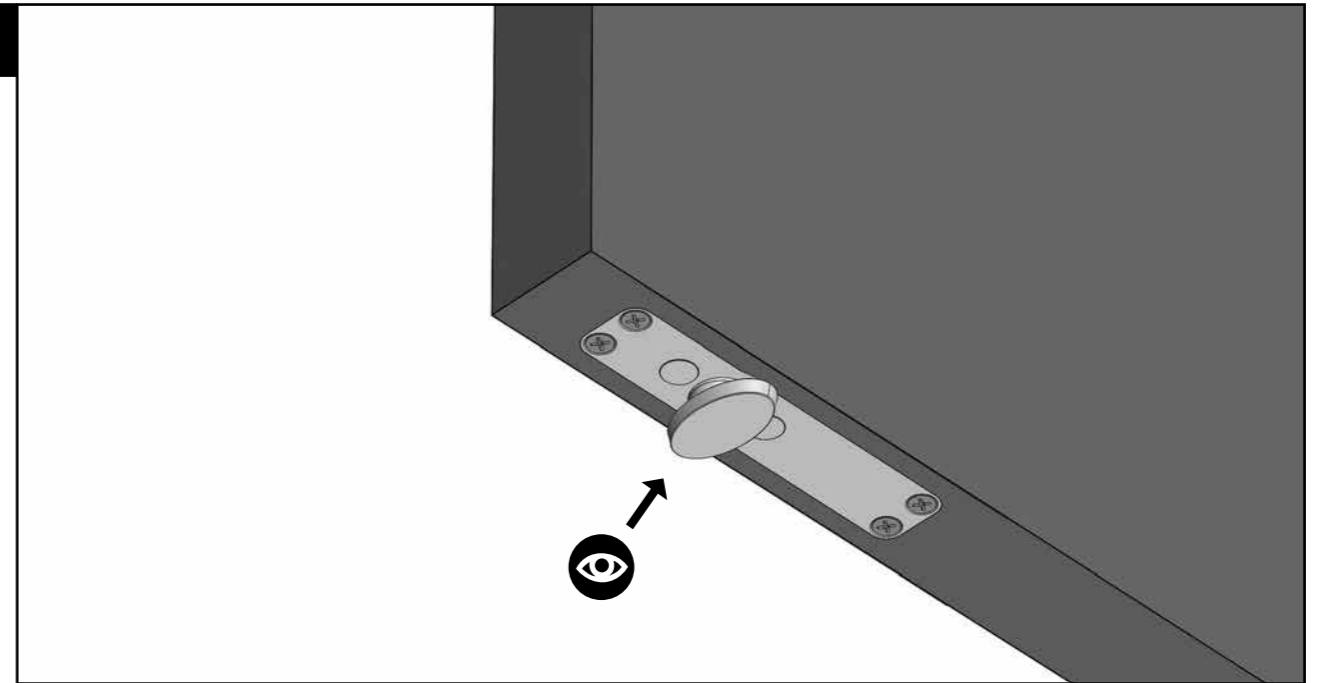


IMAGE FJ15S1

14

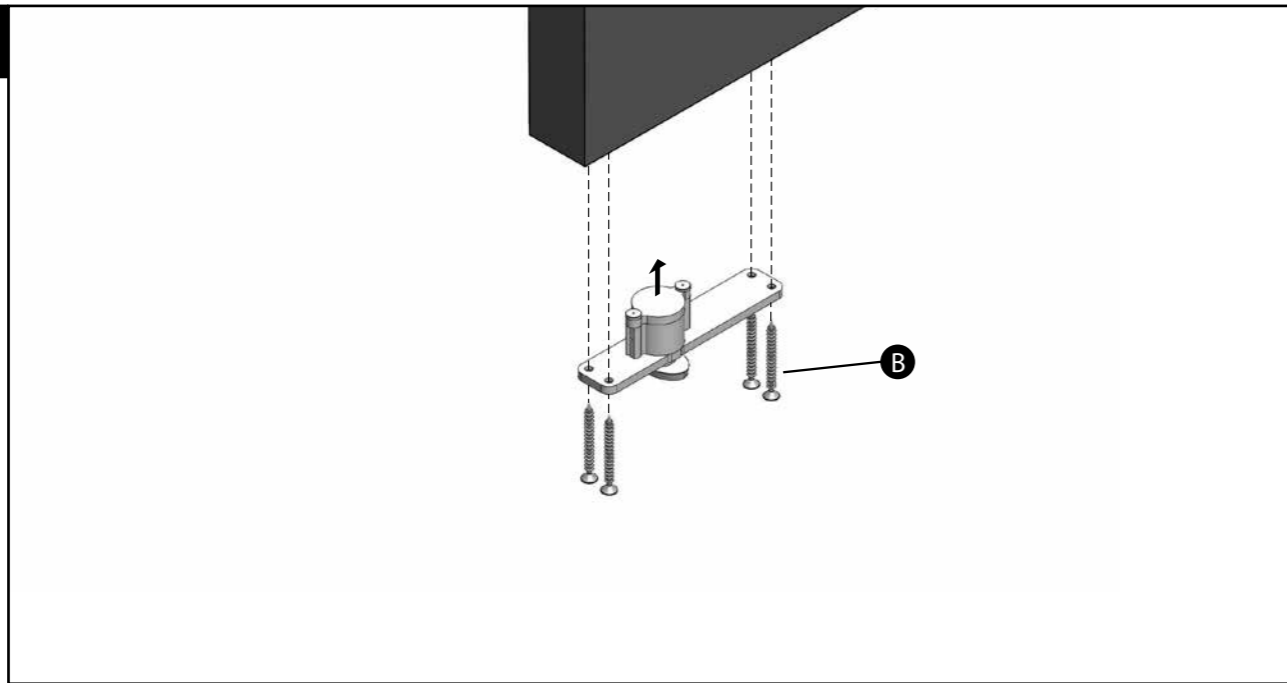


IMAGE FJ14S1

16

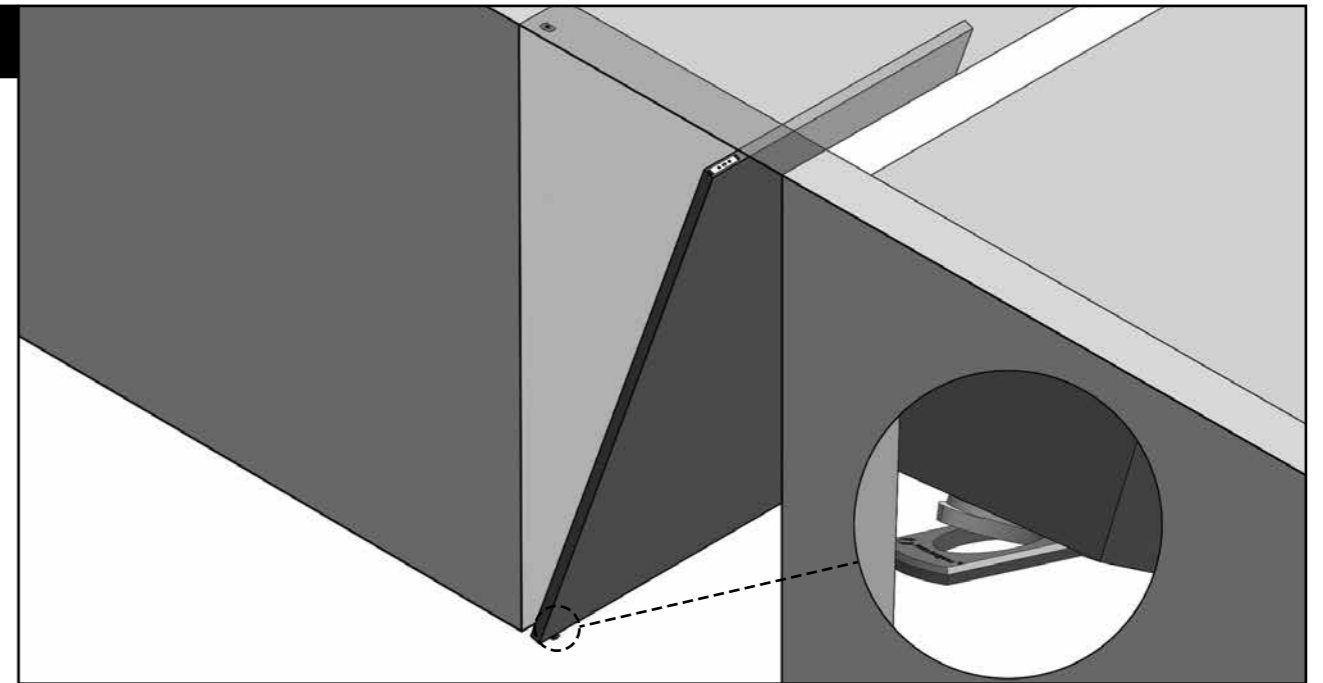


IMAGE FJ16S1



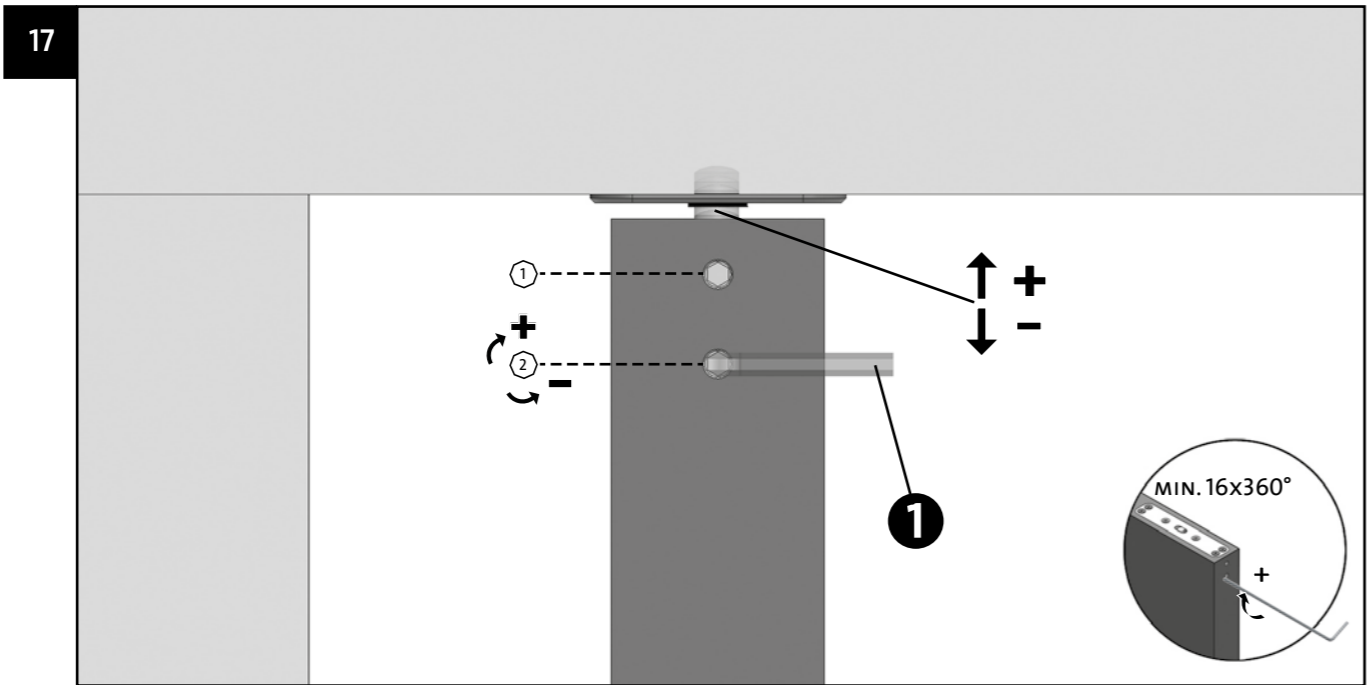


IMAGE FJ17

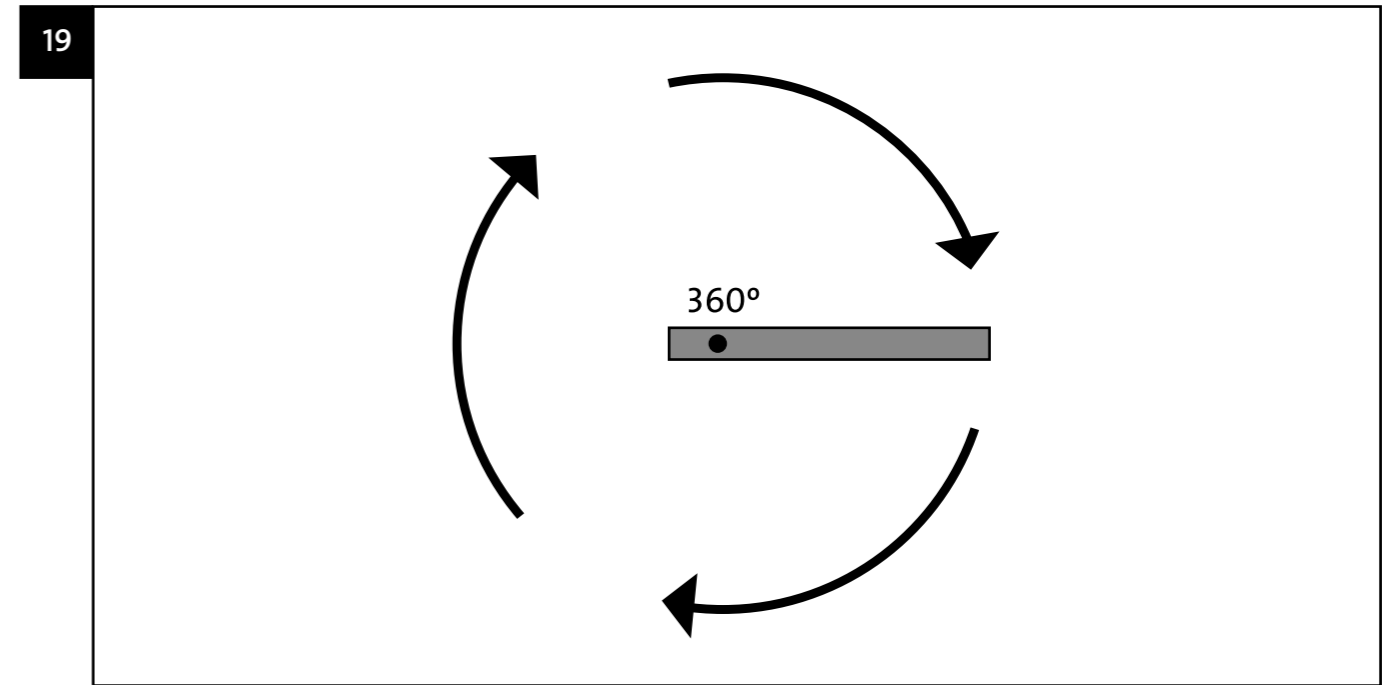


IMAGE FJ2451

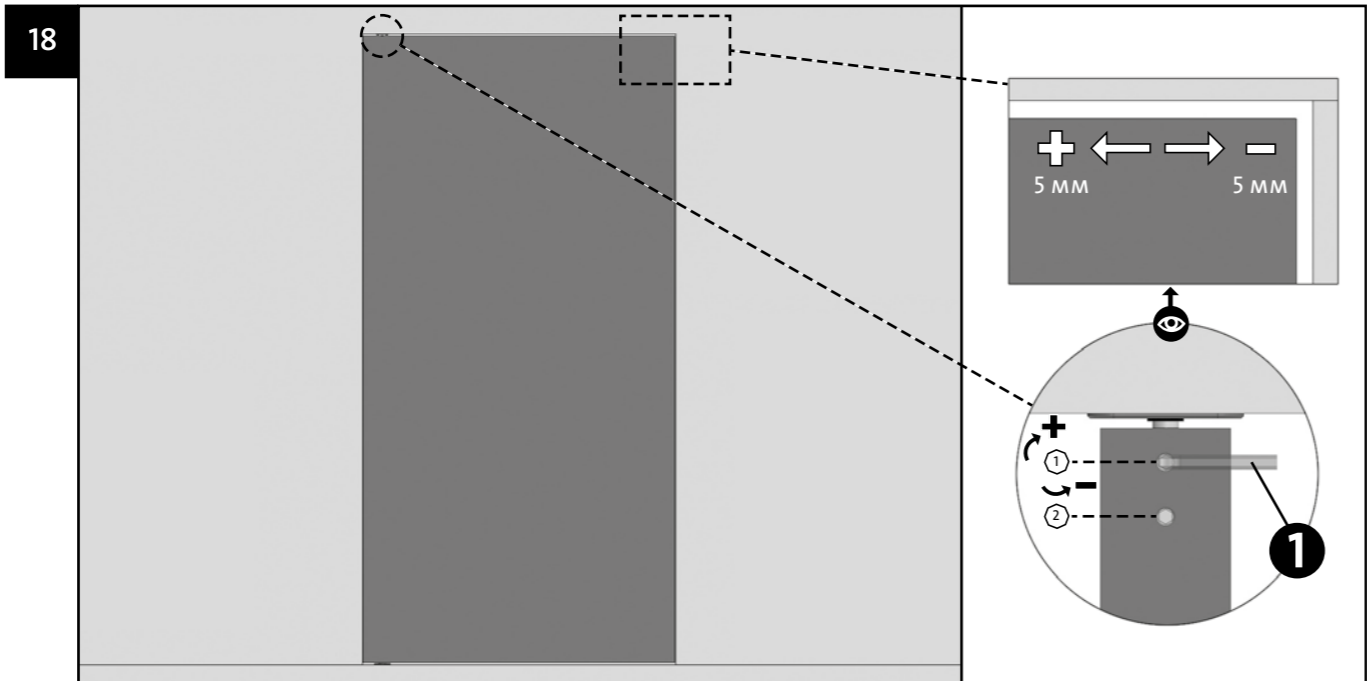


IMAGE FJ18





[www.fritsjurgens.com](http://www.fritsjurgens.com)

