



FritsJurgens[®]

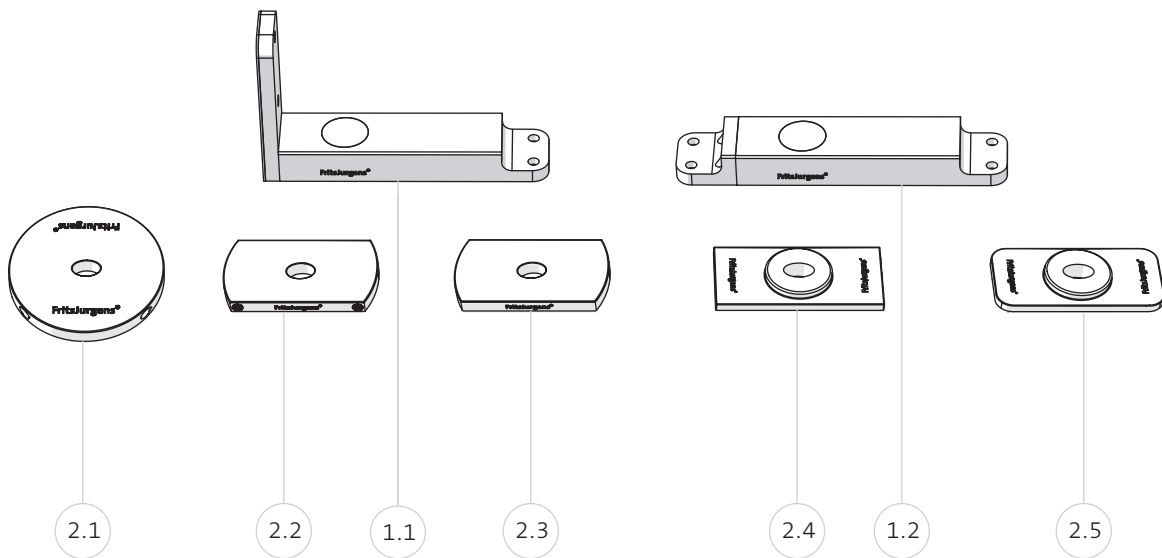
SYSTEM ONE
TECHNICAL DATA SHEET

OVERVIEW

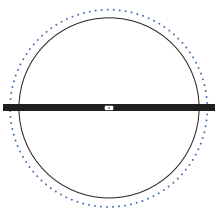
The most ideal pivot hinge for narrow profile doors. With a height of just 18 mm, this pivot hinge can be applied in a broad range of pivot door designs and applications.

COMPONENTS

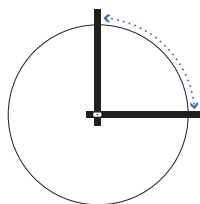
- 1.1 Bottom pivot System One 40 mm
- 1.2 Bottom pivot System One 70 mm
- 2.1 Floor plate System M - Round
- 2.2 Floor plate System M - Squared Black
- 2.3 Floor plate - Squared NA
- 2.4 Floor plate - Flush squared
- 2.5 Floor plate - Flush rounded



FUNCTION

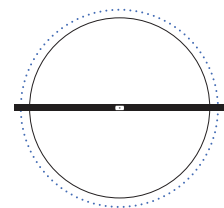


- Double-acting doors
- Rotation 360°



- Single-acting doors
- Rotation 90°

MOVEMENT



- 360° free-swinging pivot

VARIANTS

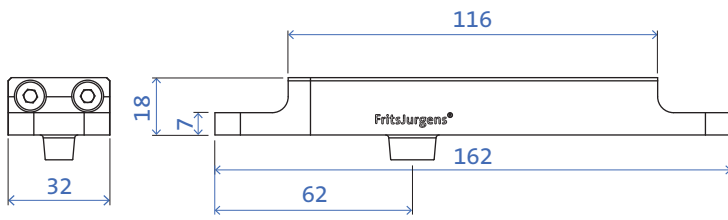
WEIGHT OF THE DOOR*

Class G | 0 - 500 kg

* Depending on door width

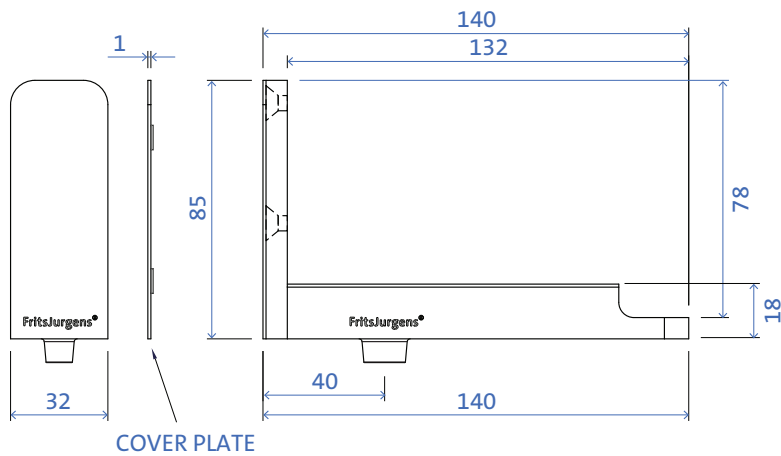
70 MM

Side or middle placement, pivot point starting from 70 mm.



40 MM

Side placement, fixed pivot point at 40 mm.



TECHNICAL SPECIFICATION

FEATURES

Rotation 360° and 90°

Hold position No

Free swing Yes

Self-closing No

Double acting Yes

Single acting Yes

Door frame/jambs Yes

Door weight 0 - 500 kg

SPECIFICATION

Weight class 1 class, G

Pivot point possibilities 40 mm, 70 mm, offset, max. middle of the width

Floor plate compatiability Floor plate squared non adjustable & All FP of System M family

Top pivot compatiability TP-40, TP-70, TP-R, TP-CG

GAPS OVERVIEW

Minium gap on bottom 7 mm

Minium gap on top 4 mm - 10 mm

Material of the product Stainless steel, Anodized Aluminum

HINGE PLATES

Floor plates



Floor plate squared
non adjustable

Stainless Steel



Floor plate squared

Black



Floor plate round

Stainless Steel



Floor plate round

Black



Floor plate Flush rounded

Sunk into door frame or floor, so flush with surrounding area. Ideal for drop seals.



Floor plate Flush squared

Sunk into door frame or floor, so flush with surrounding area. Ideal for drop seals.

Cover plates for System One 40 mm



SS

Stainless steel

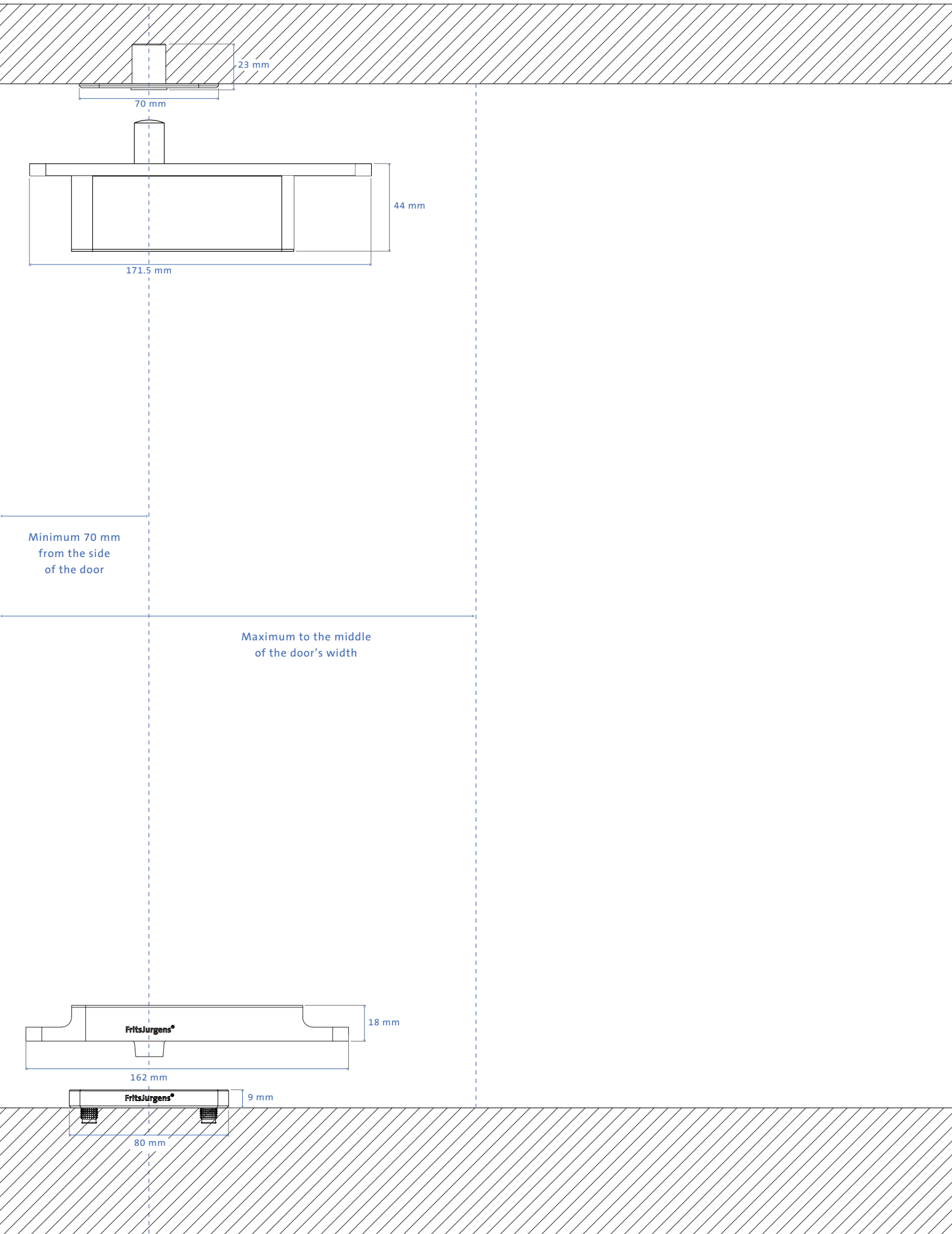


BK

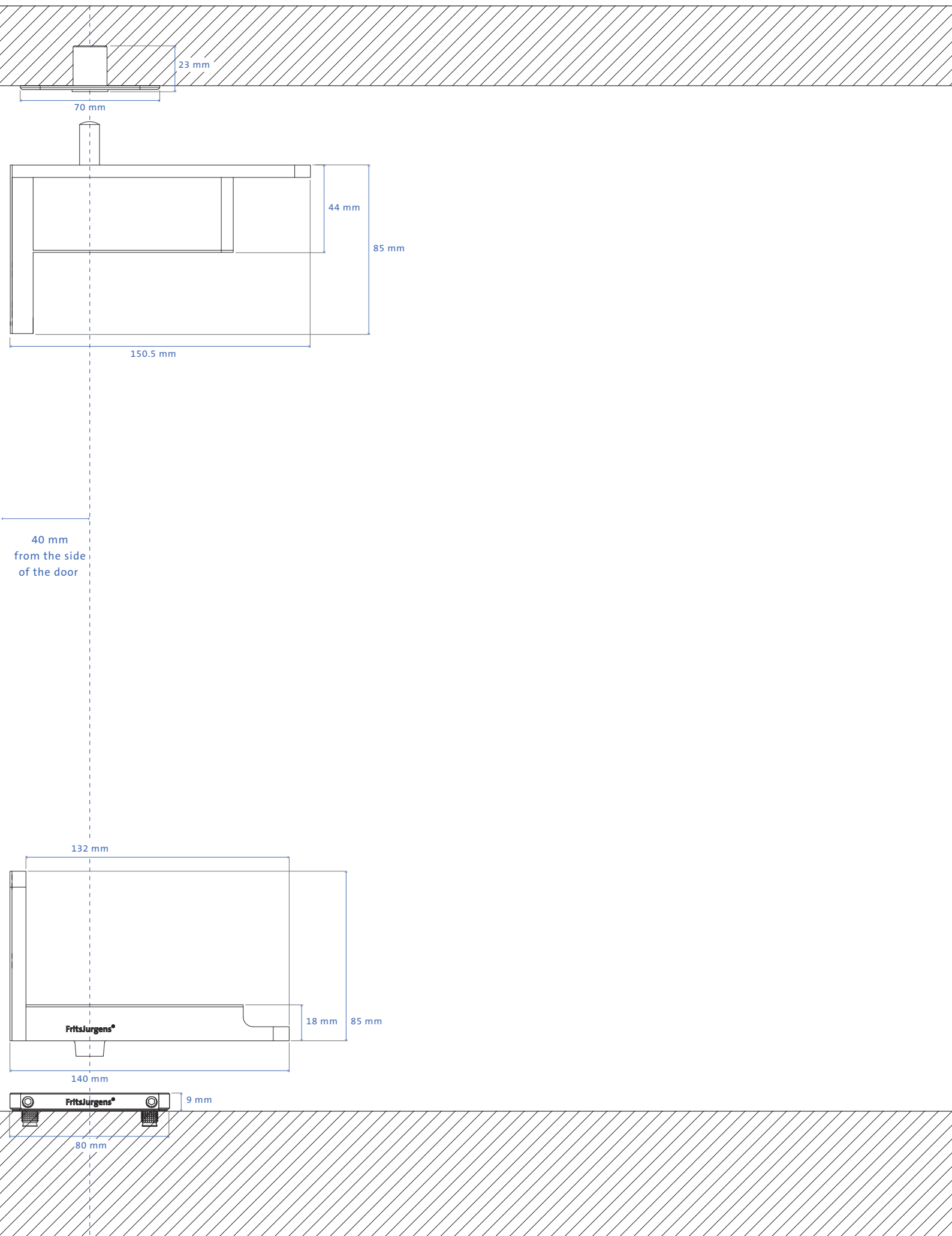
Black

PIVOT POINTS

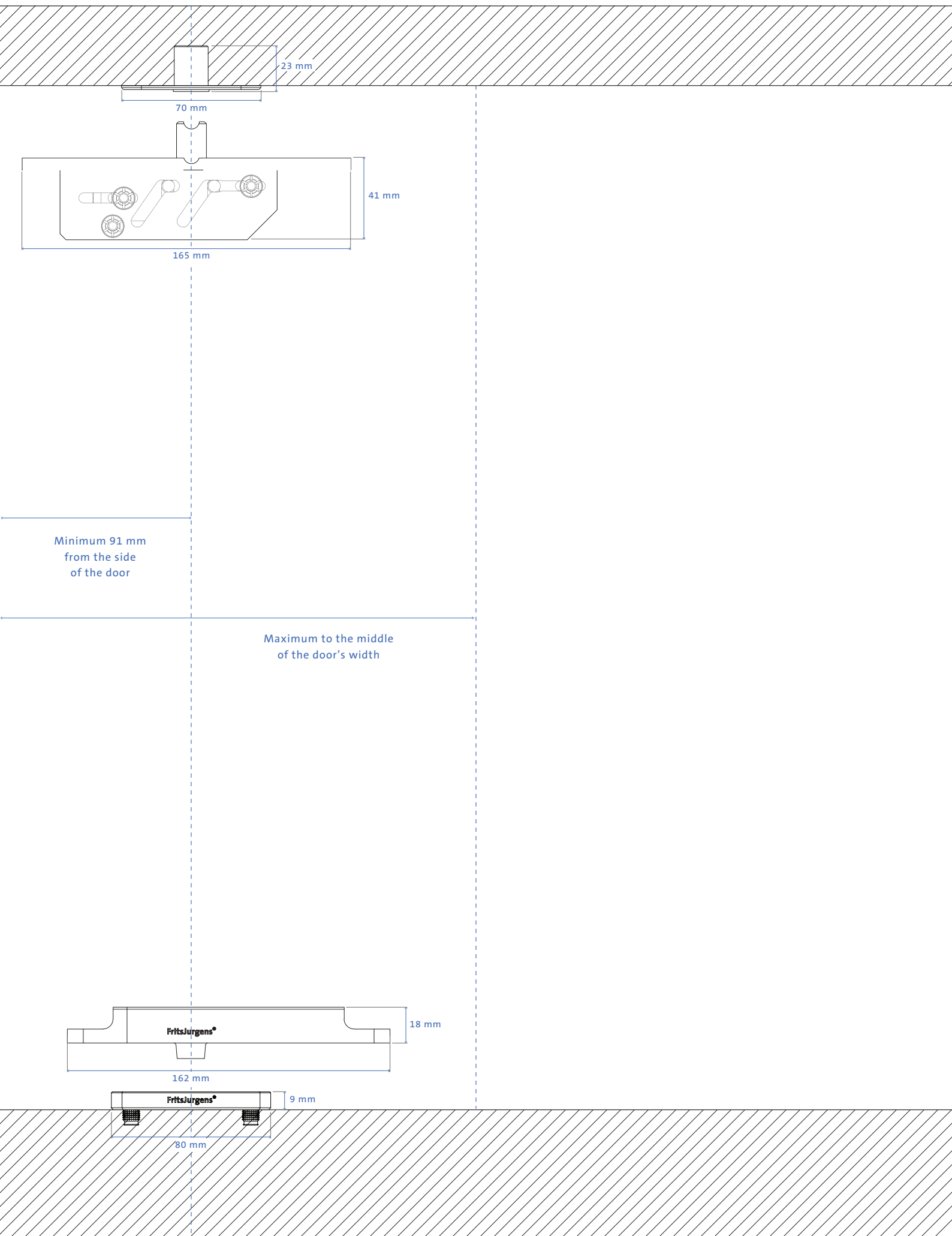
System One, pivot position ≥ 70 mm (Class G), non adjustable floor plate

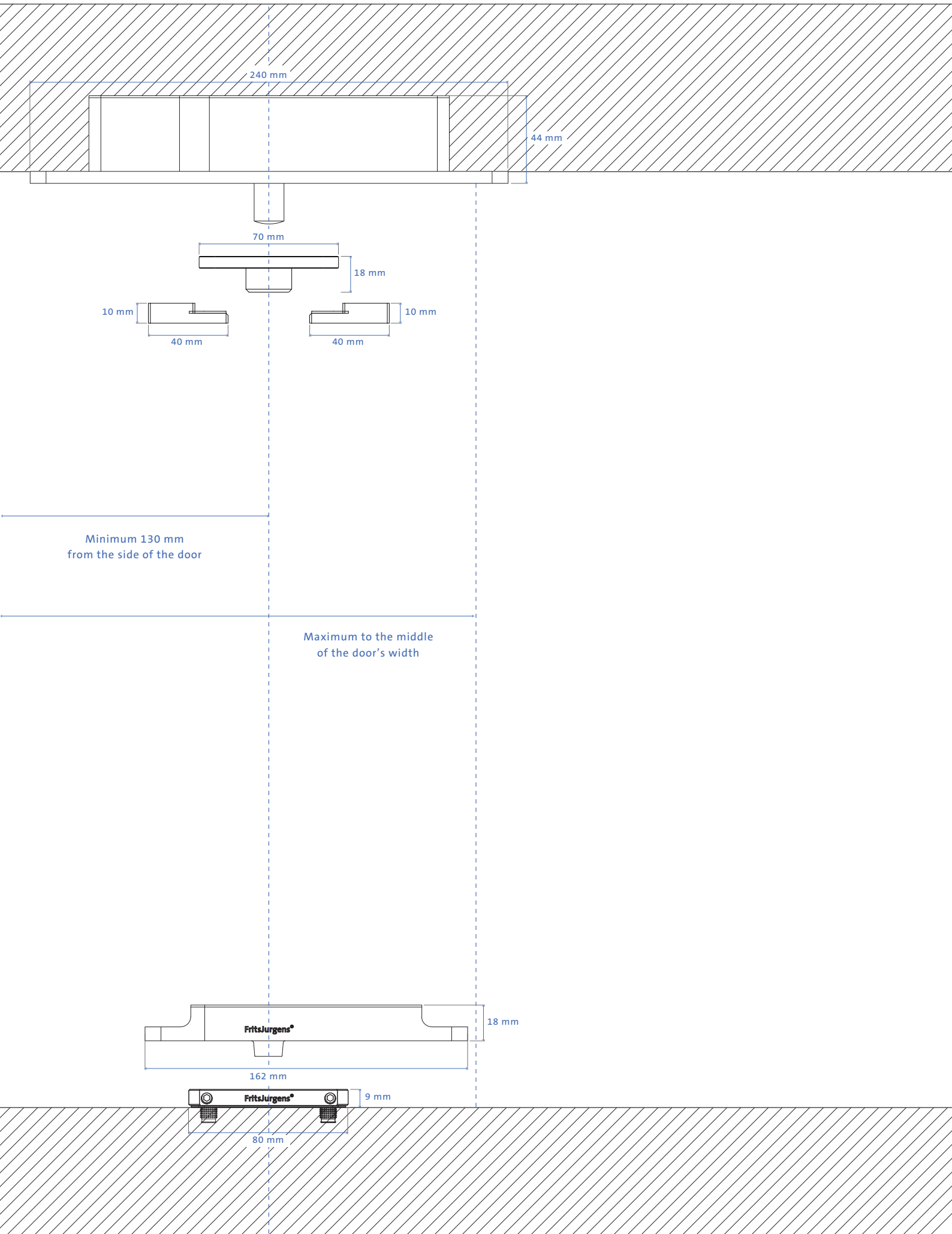


System One, pivot position 40 mm (Class G), standard floor plate



System One, pivot position ≥ 90 mm with Cable Grommet (Class G), non adjustable floor plate





FritsJurgens®

FRITSJURGENS INTERNATIONAL

A. Einsteinlaan 1
9615 TE Kolham
The Netherlands
+31 598 343 410
info@fritsjurgens.com

FRITSJURGENS ITALY (REGIONAL SALES OFFICE)

Via Marsilio Ficino 22
50132 Firenze
Italy
+39 055 064 0290
info@fritsjurgens.com

FRITSJURGENS CONSULTING FZE (REGIONAL SALES OFFICE)

Premises No. HD67
Floor 25
Sheikh Rashid Tower
Dubai World Trade Centre
Dubai, UAE

BO.tech.One.EN
Copyright © FritsJurgens®
31-03-2023



www.fritsjurgens.com