

A minimalist interior space with concrete walls and a large white panel. A stainless steel chair is visible on the left. The text 'SYSTEM M MOUNTING MANUAL' is overlaid on the right side of the image.

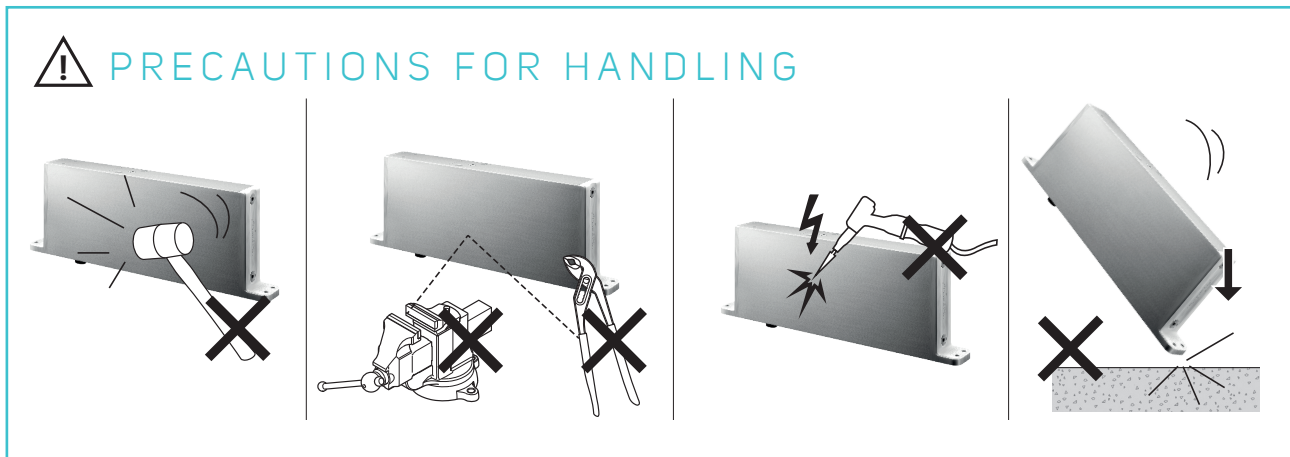
SYSTEM M
MOUNTING MANUAL

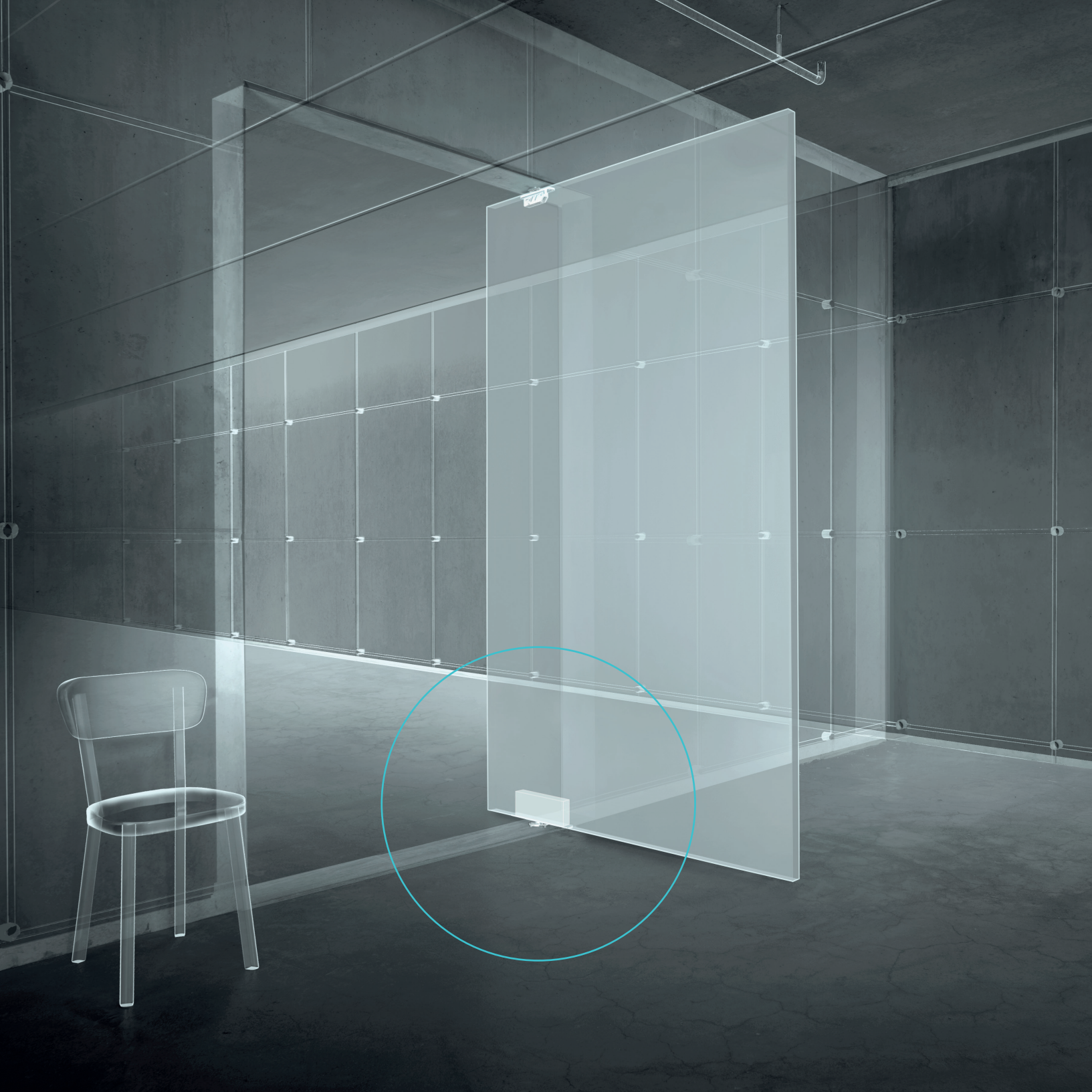
FritsJurgens®

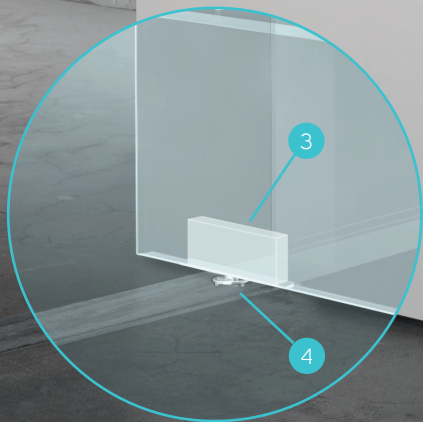
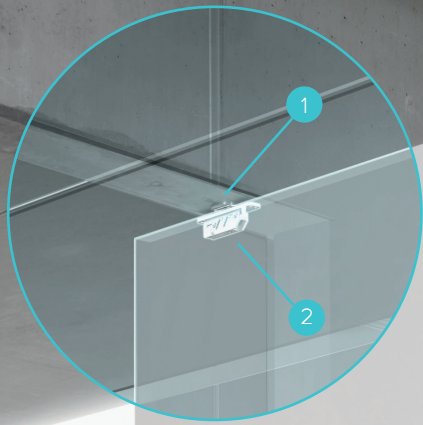
TABLE OF CONTENTS

MOUNTING MANUAL SYSTEM M

- 04 Components
- 06 Technical drawings
- 09 Milling drawings
- 10 Mounting manual
- 20 Closing seam setting
- 22 Setting the radial position
- 23 Setting the closing speed

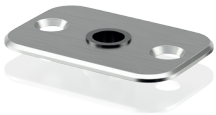






SYSTEM M COMPONENTS

1 CEILING PLATE



2 TOP PIVOT



3 SYSTEM M



4 FLOORPLATE



A MOUNTING PACKAGE

- A. Allen wrench
- B. Fitting template
- C. Fitting adhesive
- D. Adjustment spanner

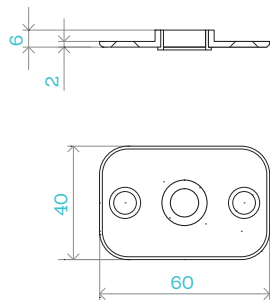
B SCREWS

- A. Screw 6x60 RVS
2x - for fitting ceiling plate
- B. Screw 4x50 RVS
8x - for fitting System M and top pivot

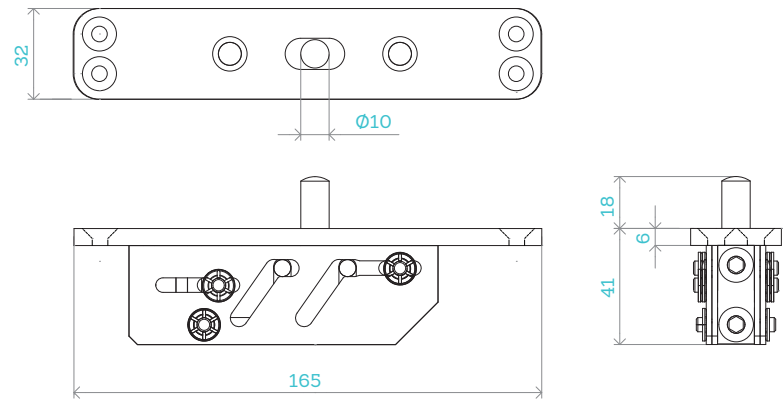
SYSTEM M

TECHNICAL DRAWINGS

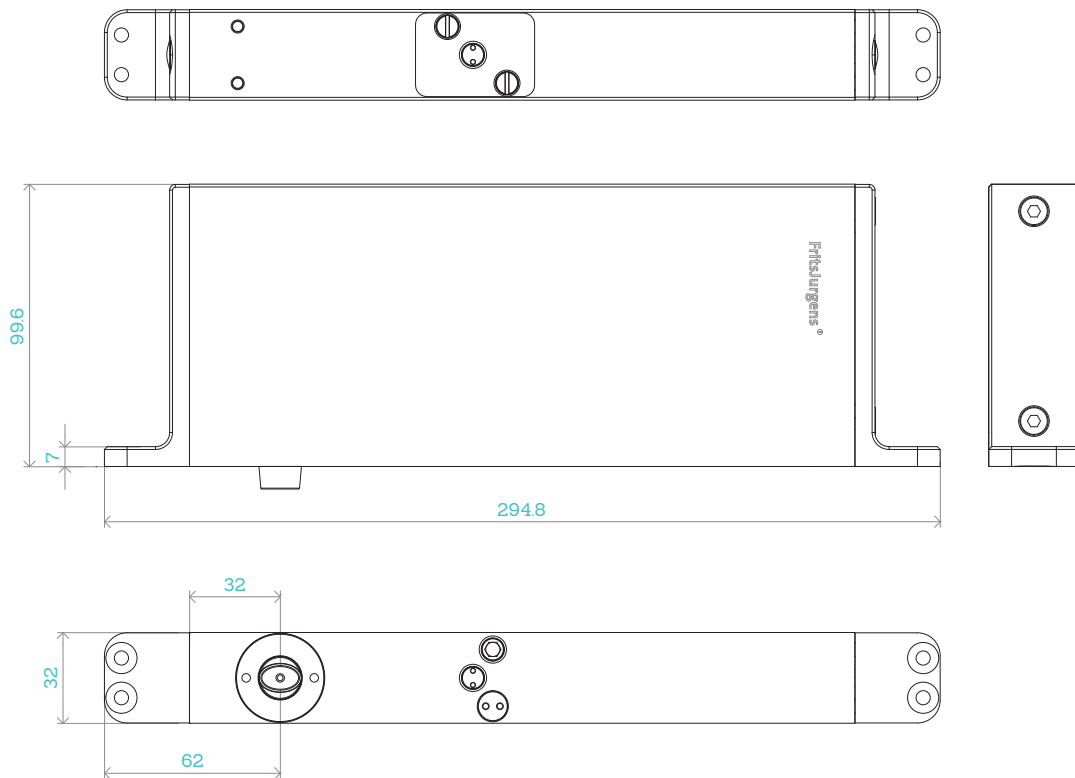
CEILING PLATE



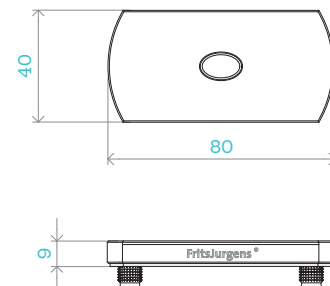
TOP PIVOT



SYSTEM M

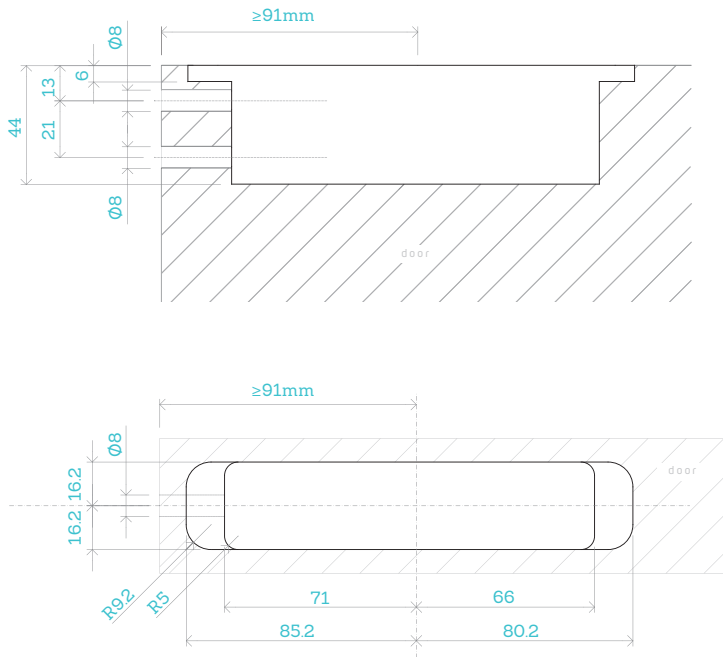


FLOORPLATE

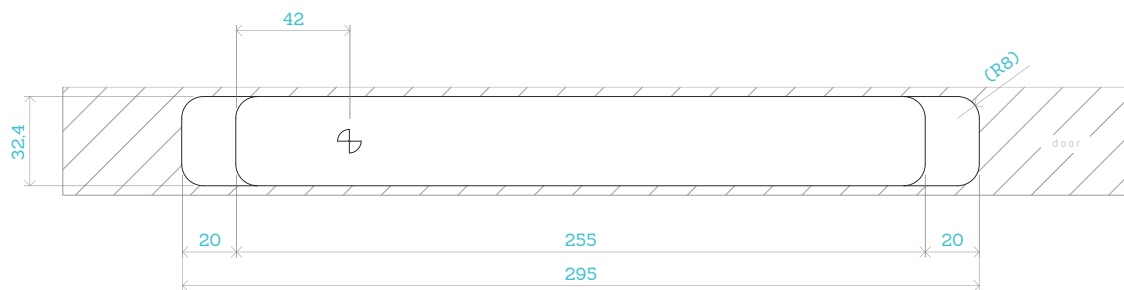
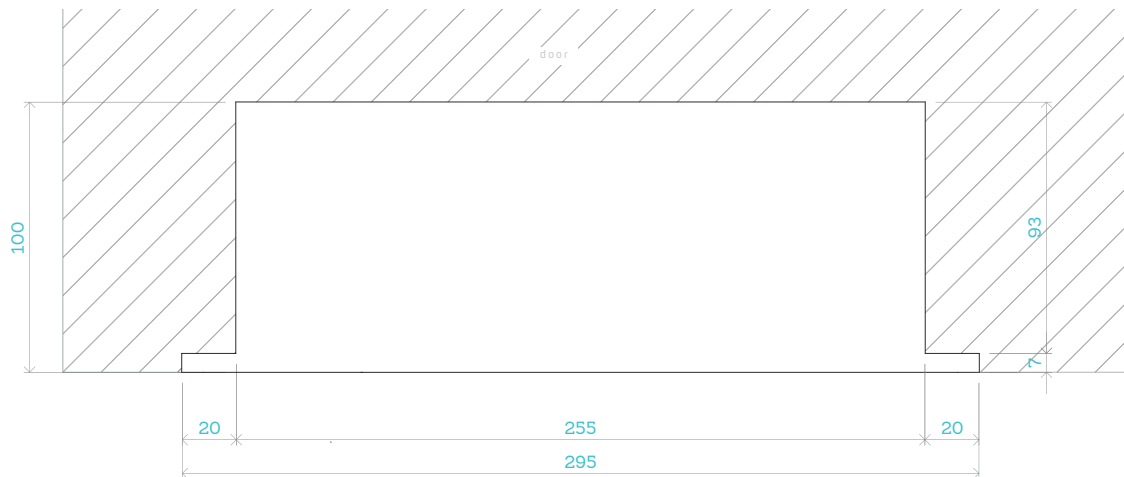


SYSTEM M MILLING DRAWINGS

TOP PIVOT



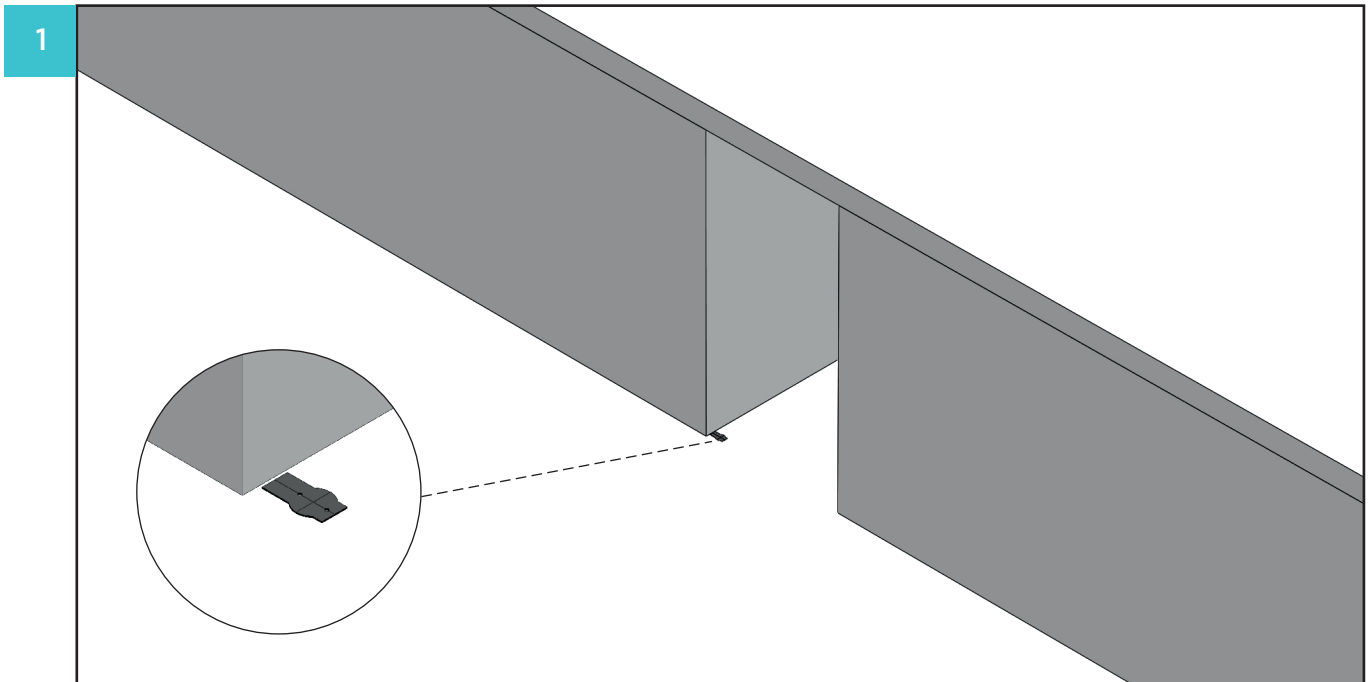
SYSTEM M



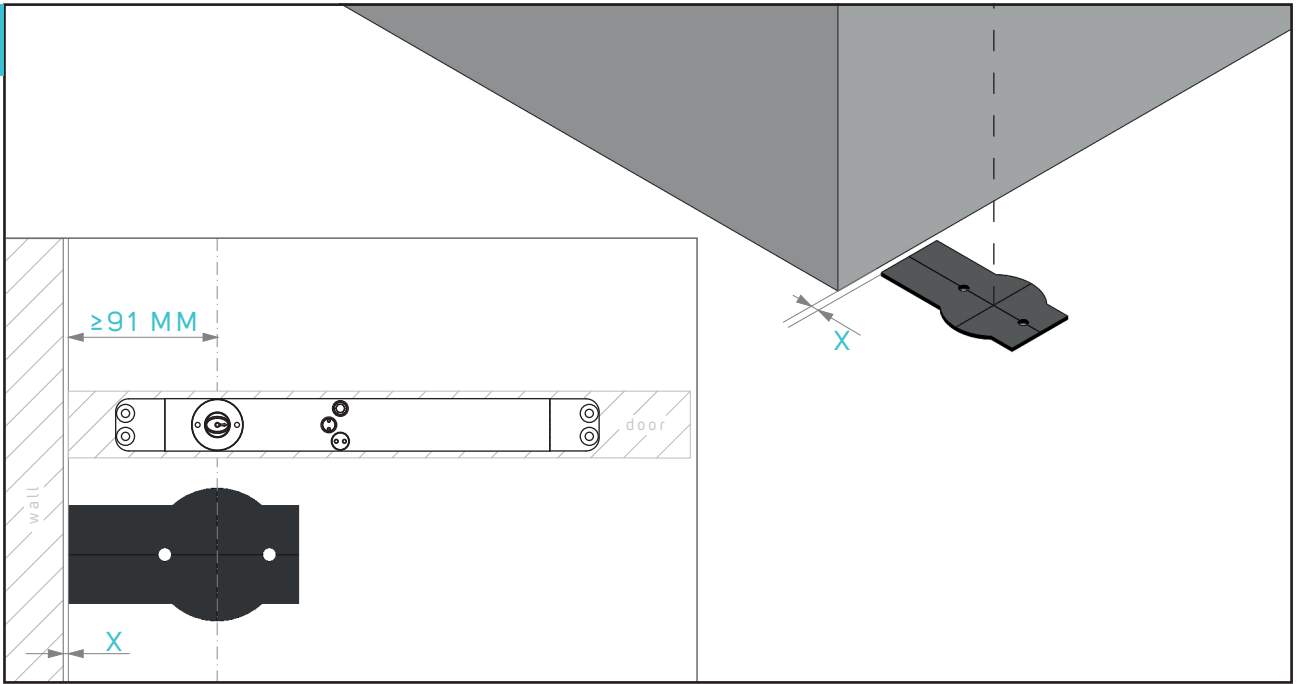
9 All dimensions in mm.

SYSTEM M

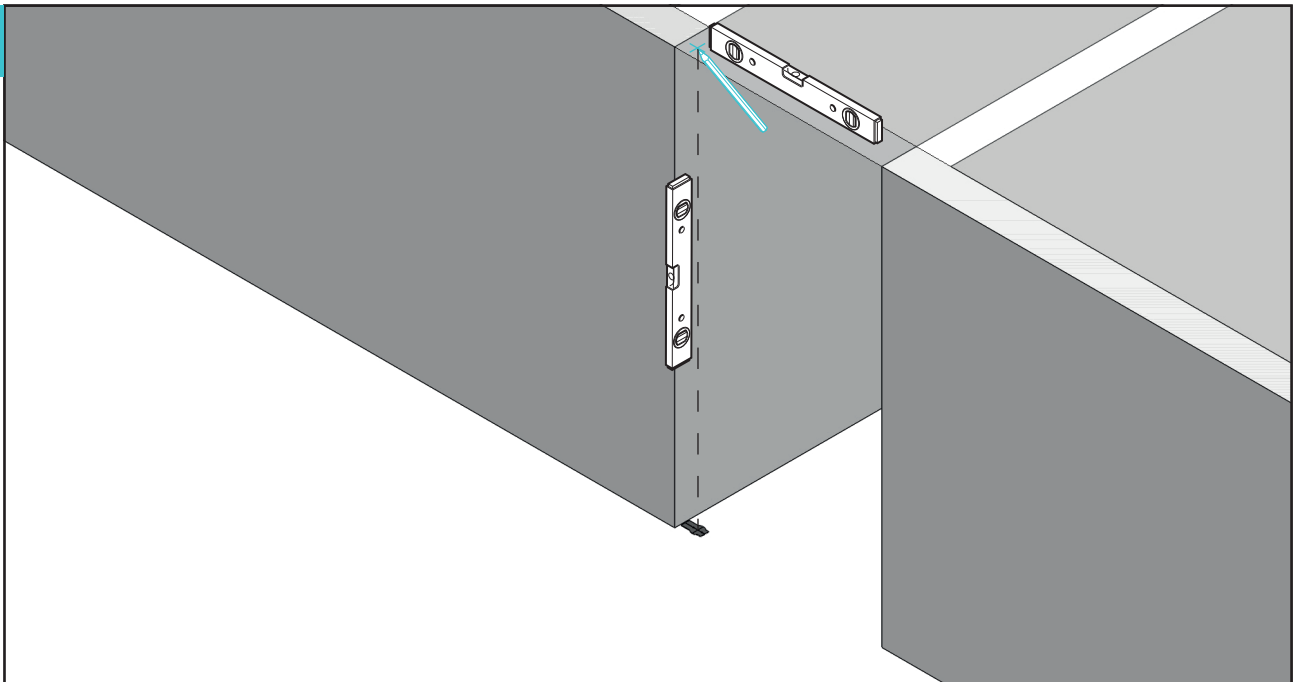
MOUNTING MANUAL



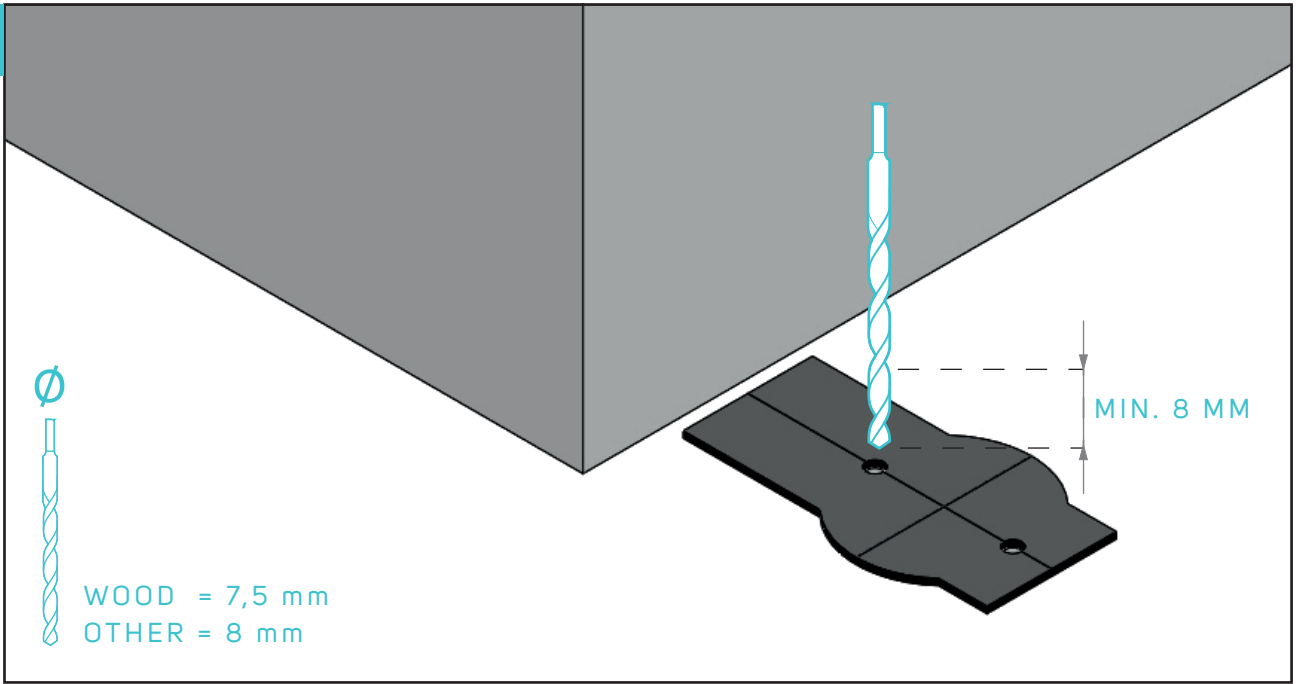
2



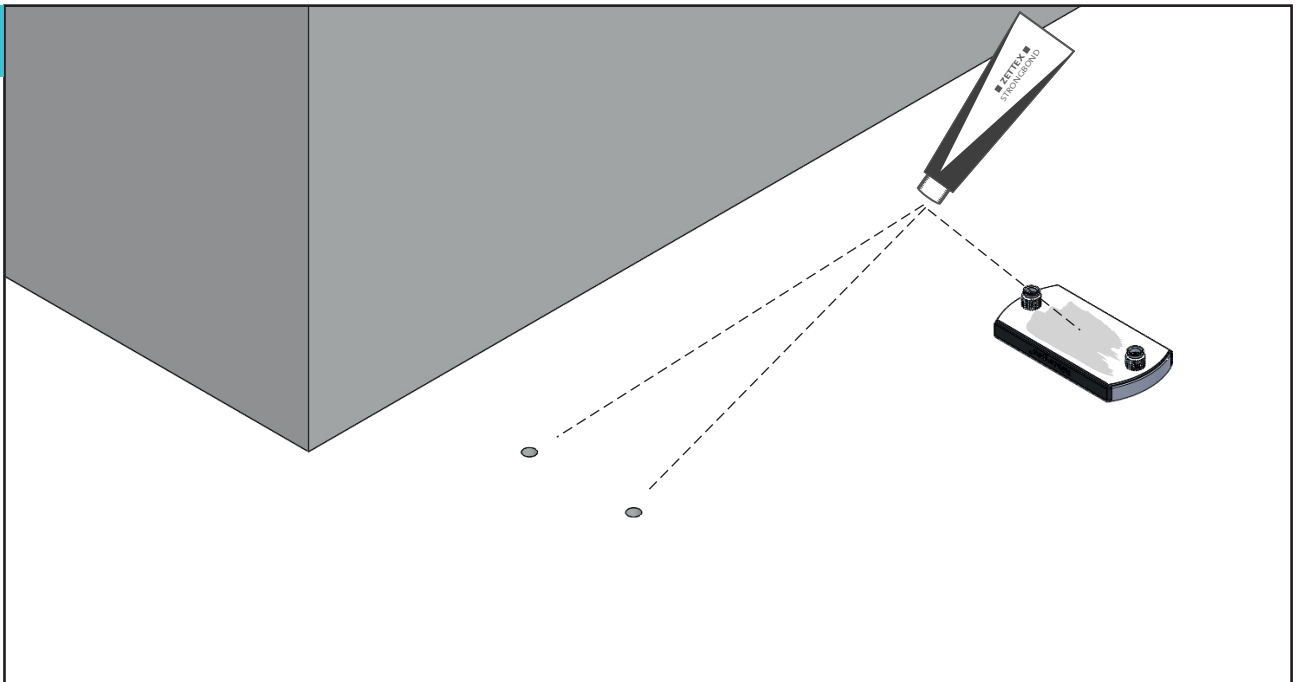
3



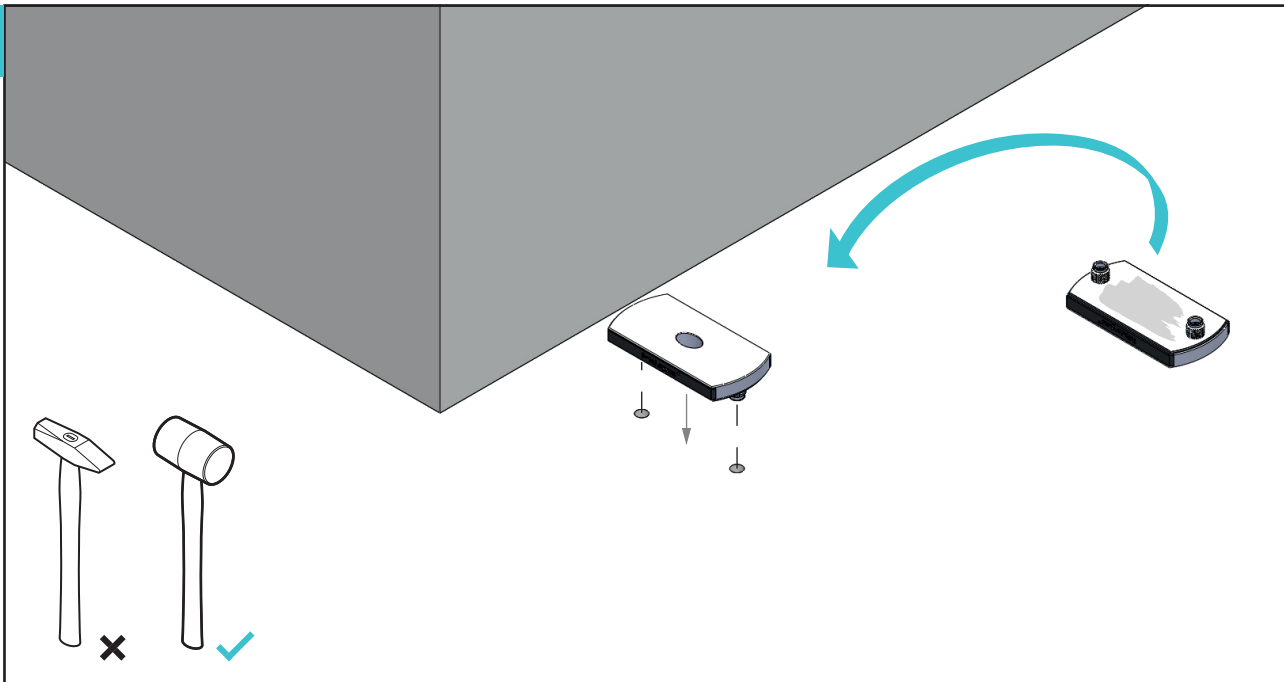
4



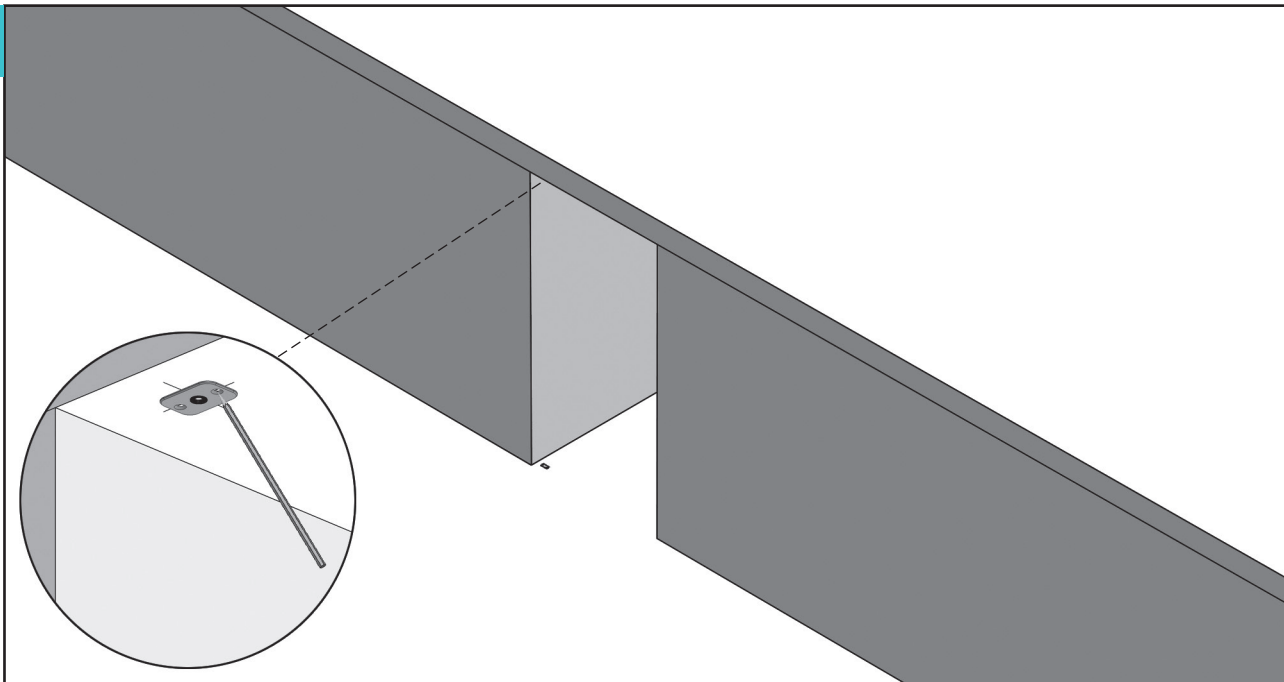
5

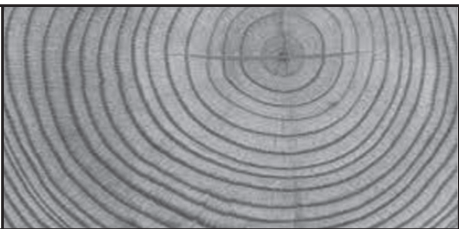

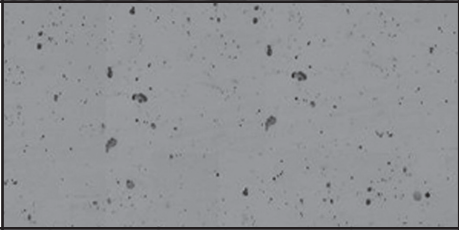





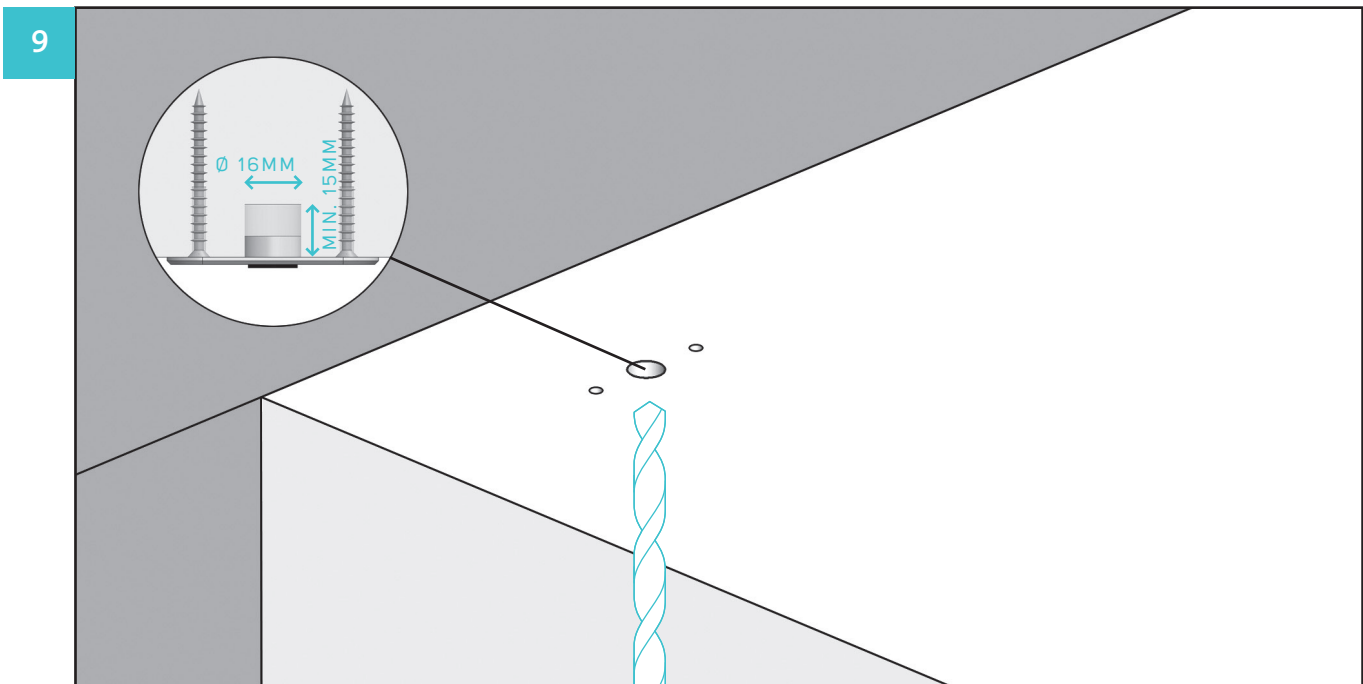
6



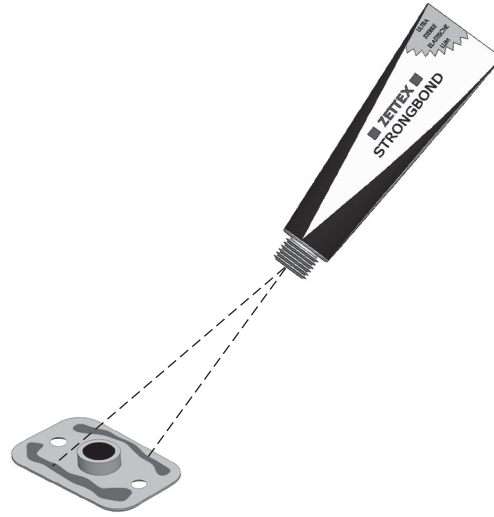
7



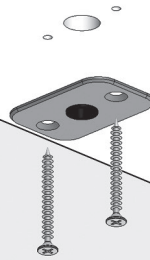
8	WOOD		
STONE		<p data-bbox="820 349 852 381">*</p> 	
STEEL		<p data-bbox="820 584 852 617">*</p>  <p data-bbox="966 698 1015 730">M5</p> <p data-bbox="1364 706 1469 755">* EXCL.</p>	



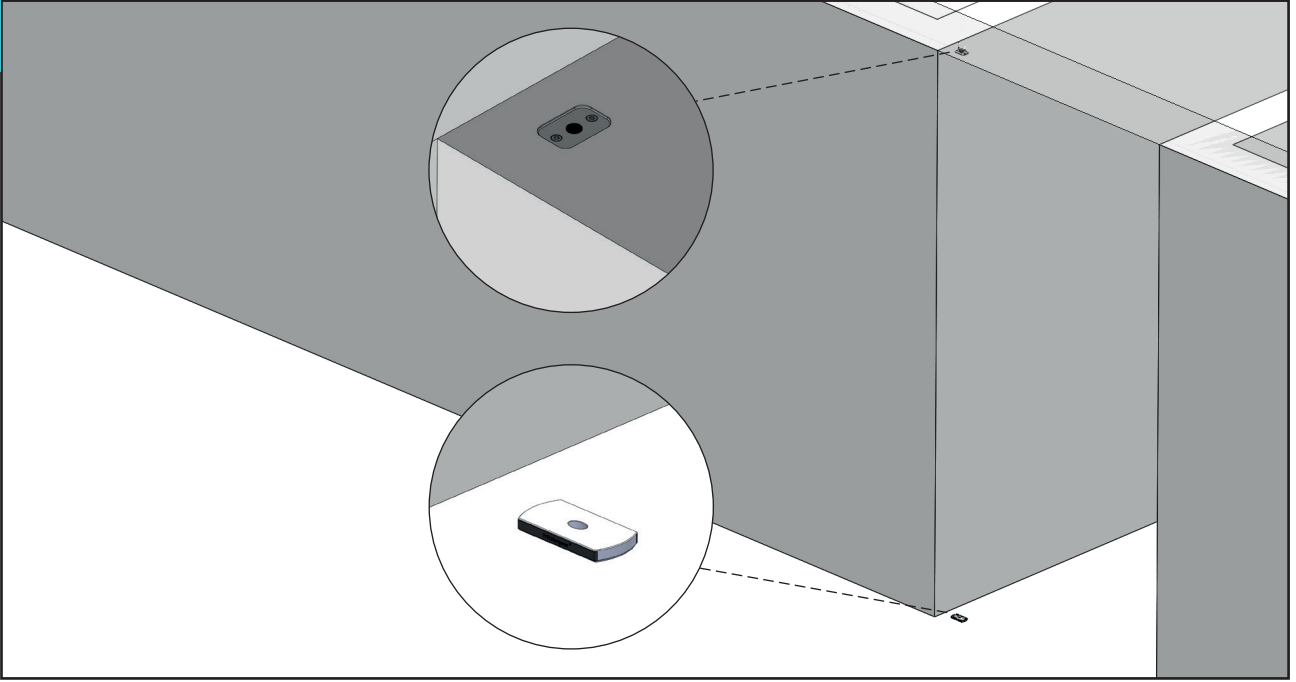
10



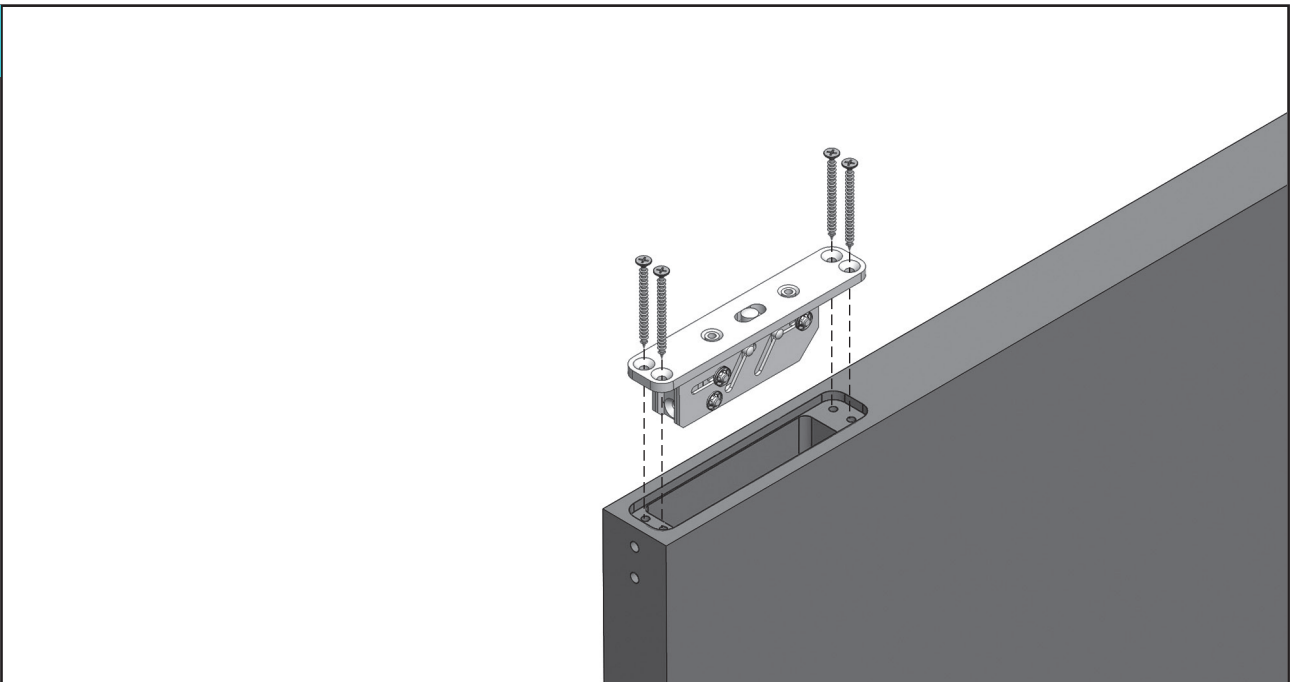
11



12

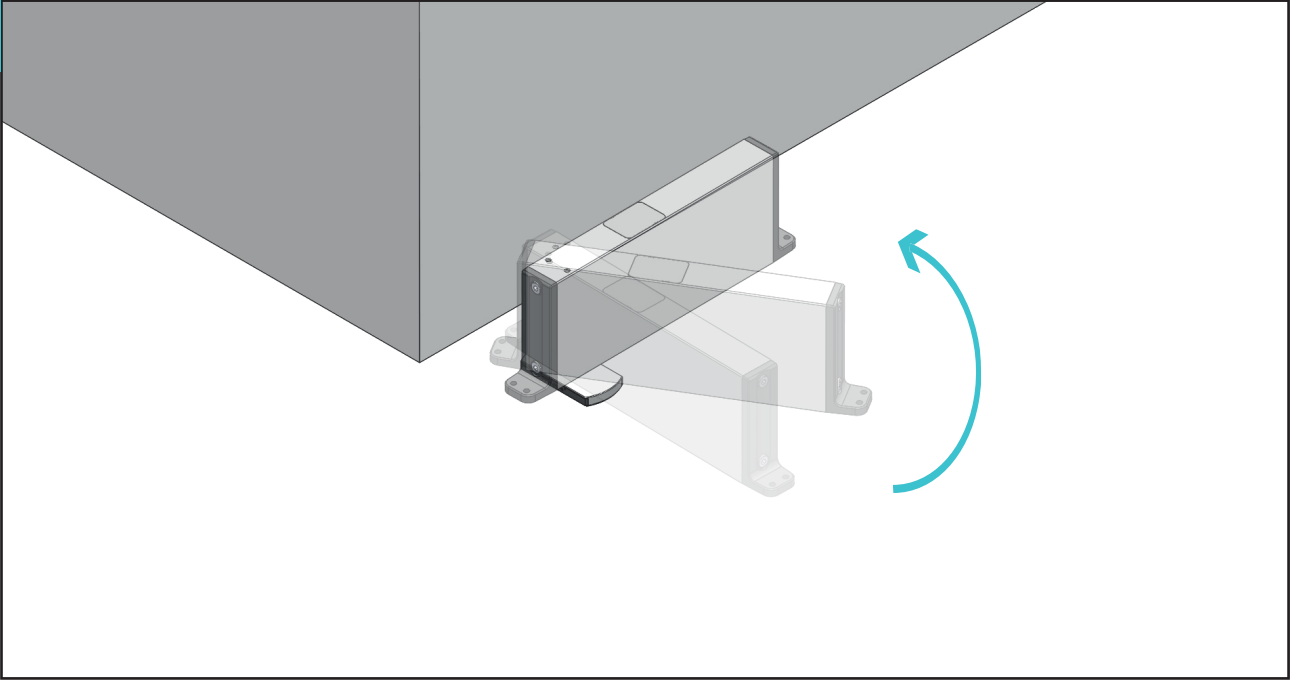


13

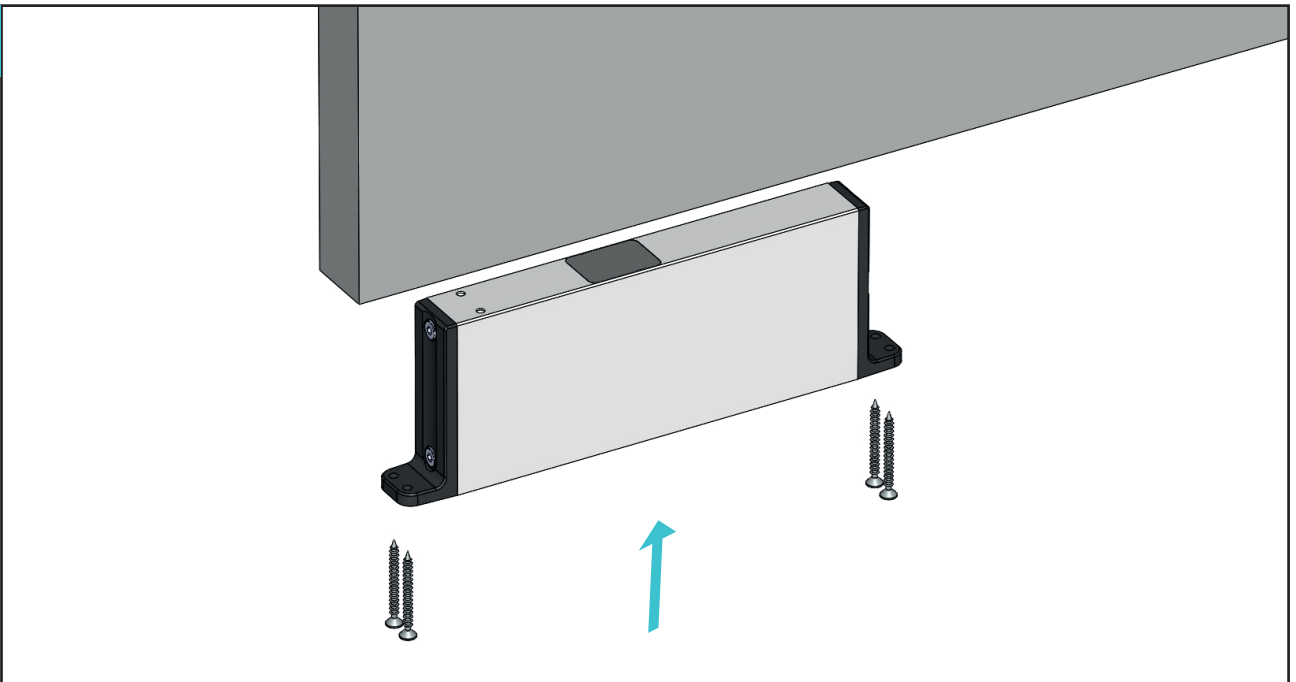


16

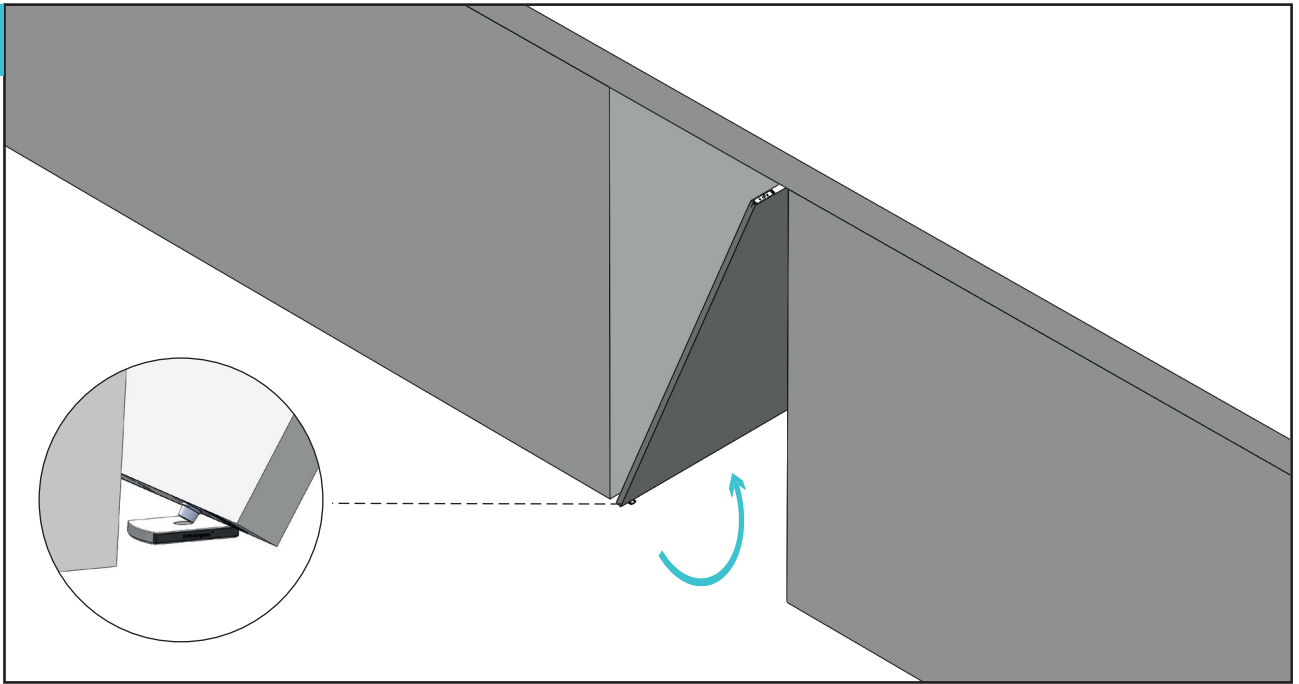
14



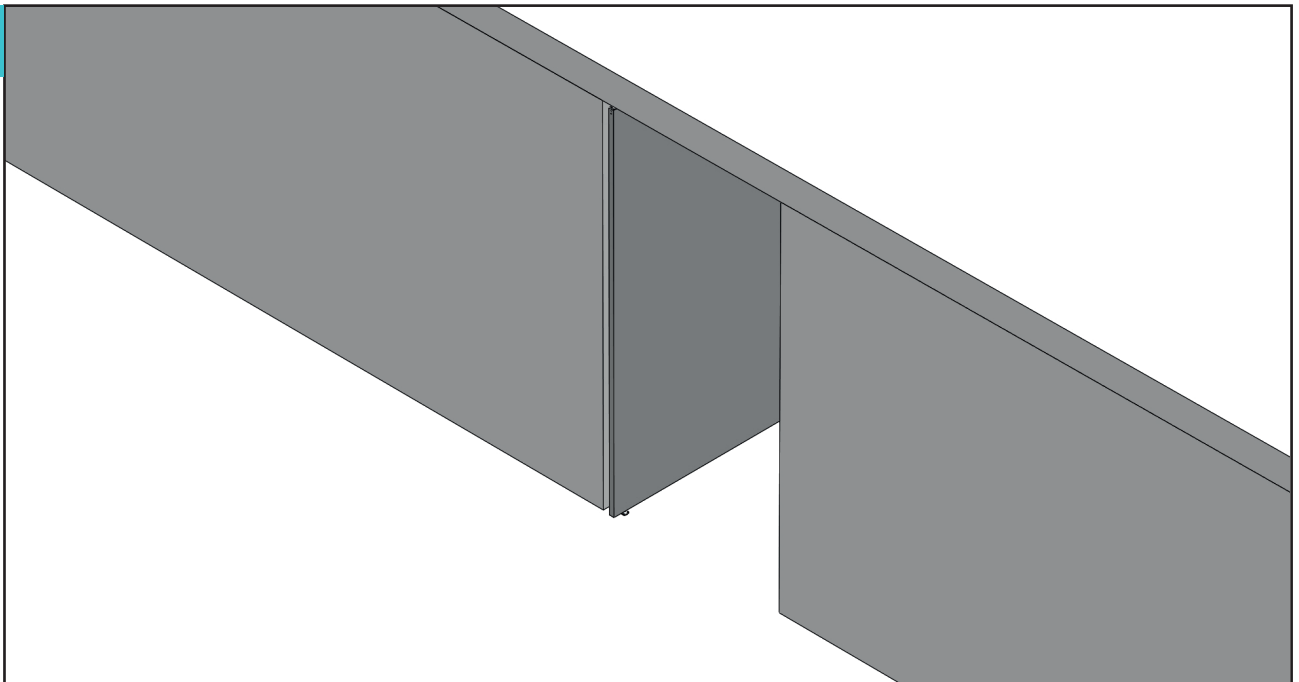
15



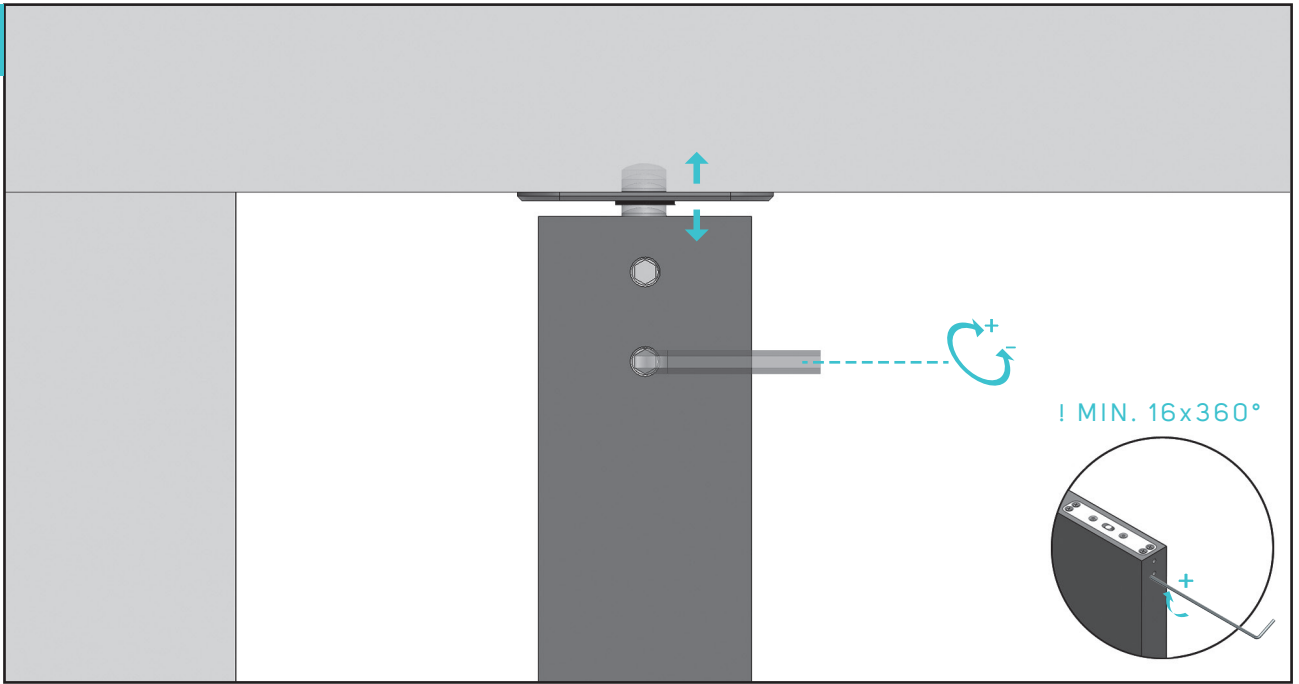
16



17

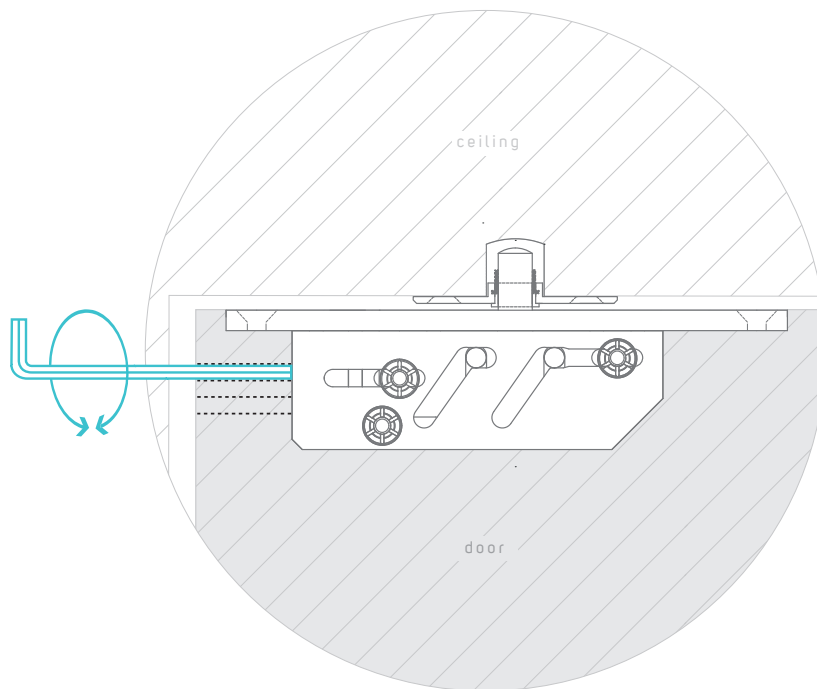


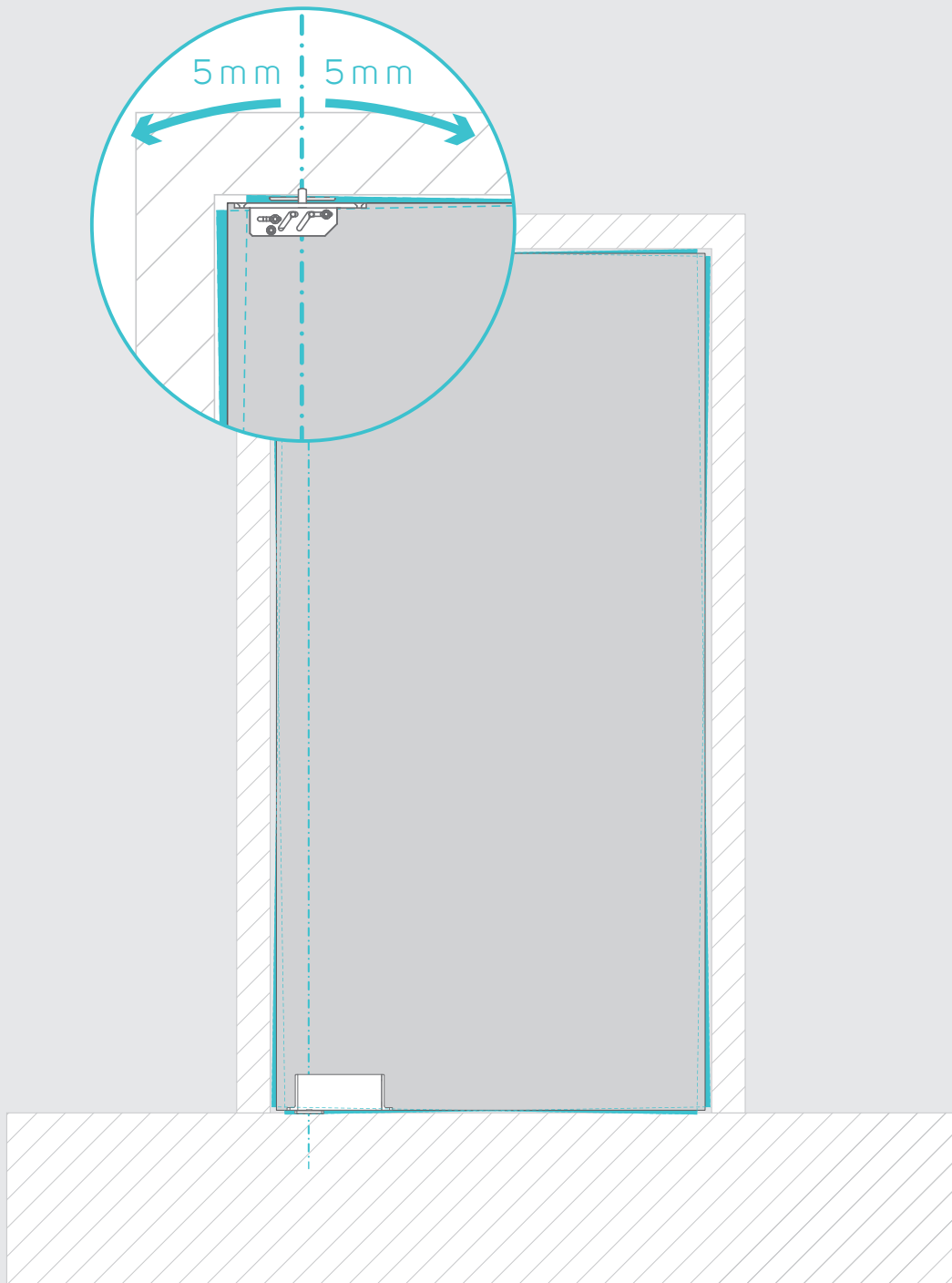
18



CLOSING SEAM SETTING

The closing seam can be adjusted using a 5mm hex key in the top hole.

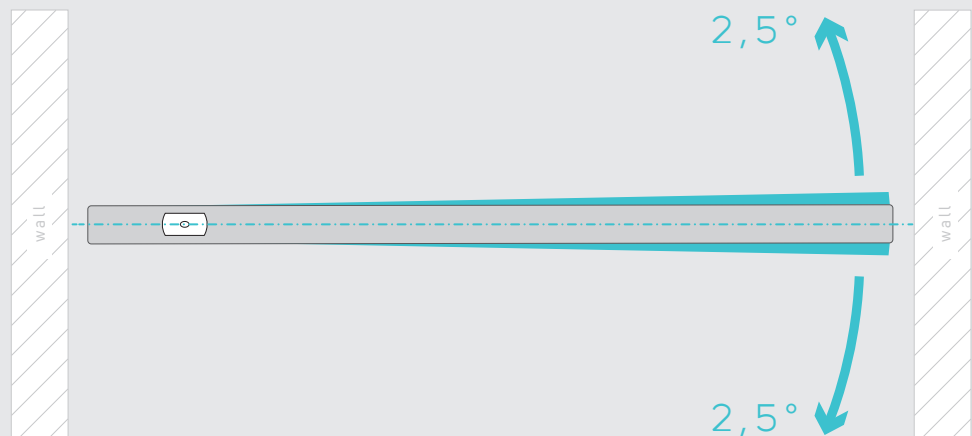
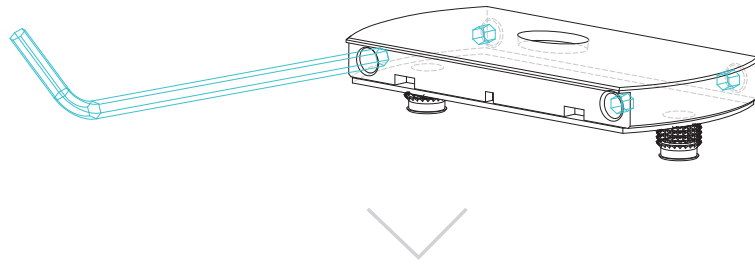




SETTING THE RADIAL POSITION

Remove the cap from the floorplate and adjust the angle of the door using a 3mm hex key.

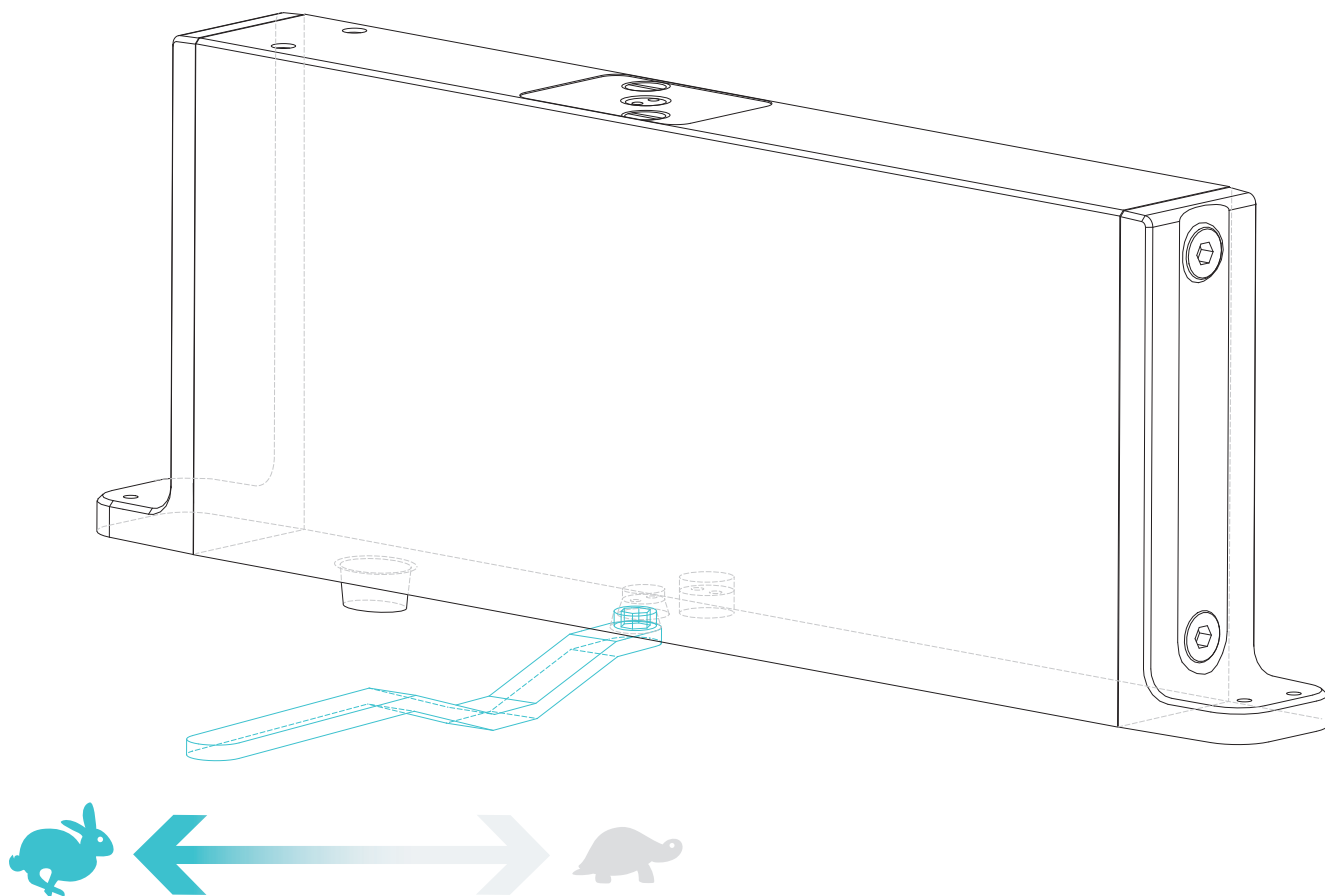
Important: all 4 screws need to be loosened before setting the radius. Don't forget to tighten them again after adjusting.



SETTING THE CLOSING SPEED

The closing speed can be adjusted using the included key.

To the right: more closing damping. To the left: less closing damping



FRITSJURGENS INTERNATIONAL

+31 598 343 410

info@fritsjurgens.com

www.fritsjurgens.com