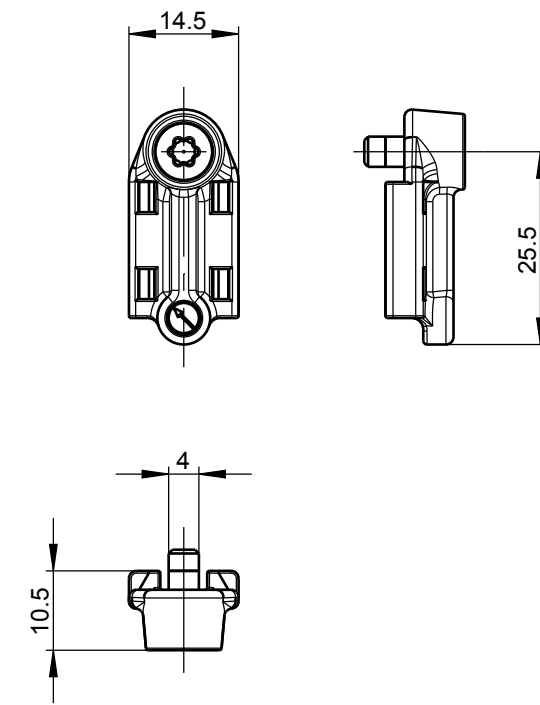
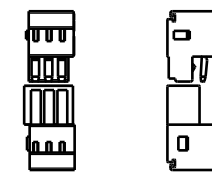


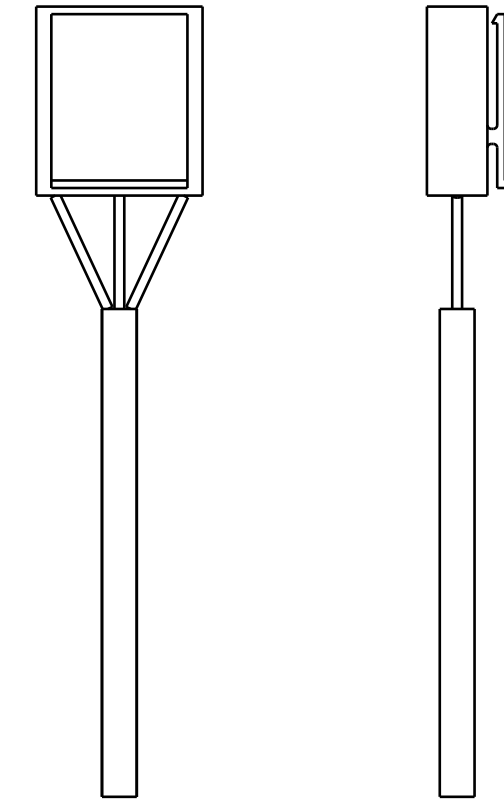
6-31082-00-0 A-Öffner 1x



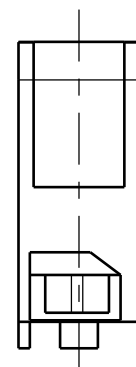
K-18174-00-0 Btl. Reiter 1x



6-29949-00-0 Stecker 1x



K-18190-00-0 Btl. Anschlußkabel 1x



Proprietary rights apply in accordance with ISO 16016

·
·
·
·
·

Description						
Anbauset A-Öffner allgemein						
--						
A-opener kit						
	Release No.	Level	Released		Scale	Modification
	--	Ver.	--	--	1:1	1
	Mod. No.	Draft	13.01.2017	Dr		Drawing No.
	--					K-18153-01-0
Replacement for --						Size
						2
						Sheet
						1/1