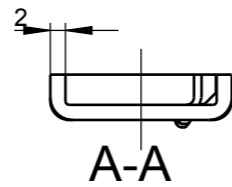
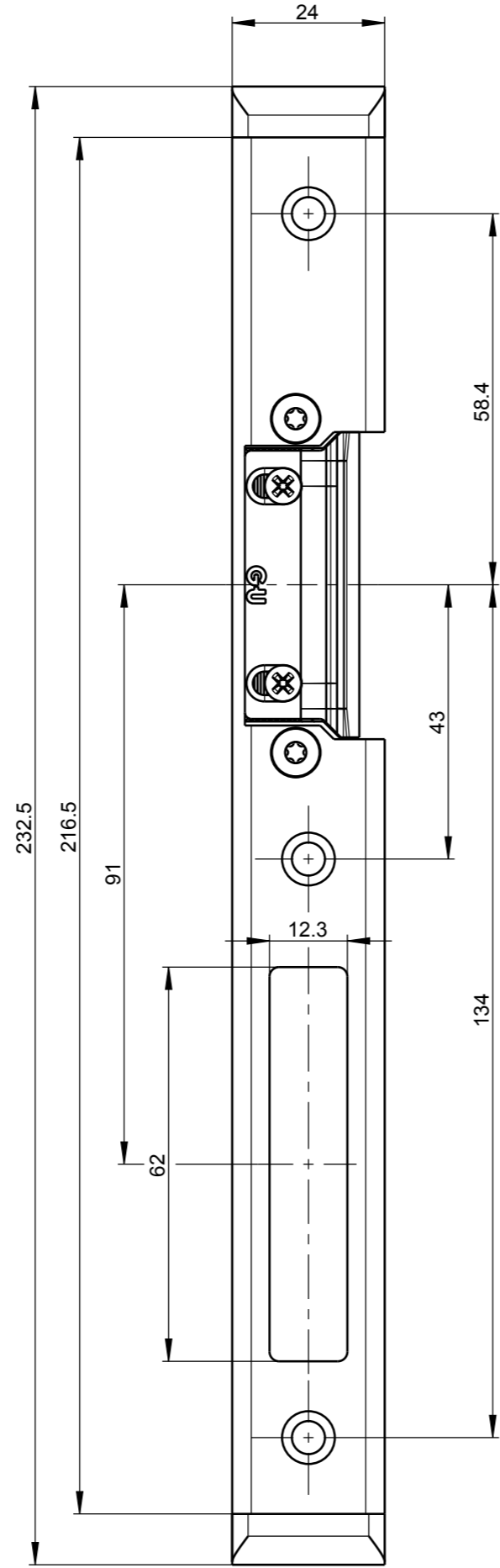
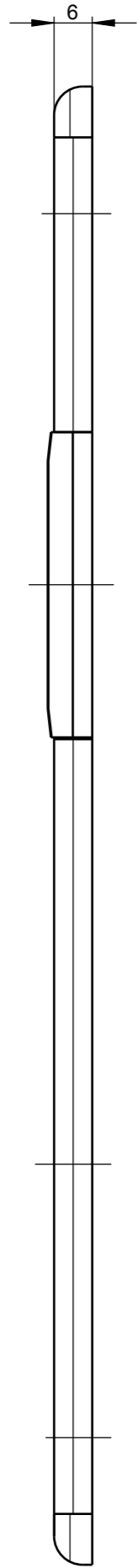


-
-
-
-
-



Description						
Sbl/U24x6/216/NL12/AT/Est						
--						
striker/U24x6/216/axis 12/interchangeable latch piece/end piece						
<b>GU</b>	Release No.	Level	Released		Scale	Modification
	--	Ver.	--	--	1:1	1
	Mod. No.	Draft	11.06.2015	Dr		Drawing No.
	--					6-37367-01-L
Replacement for --						Size
						3
						Sheet
						1/1