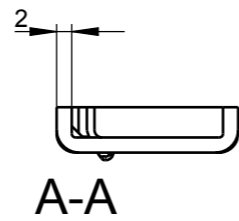
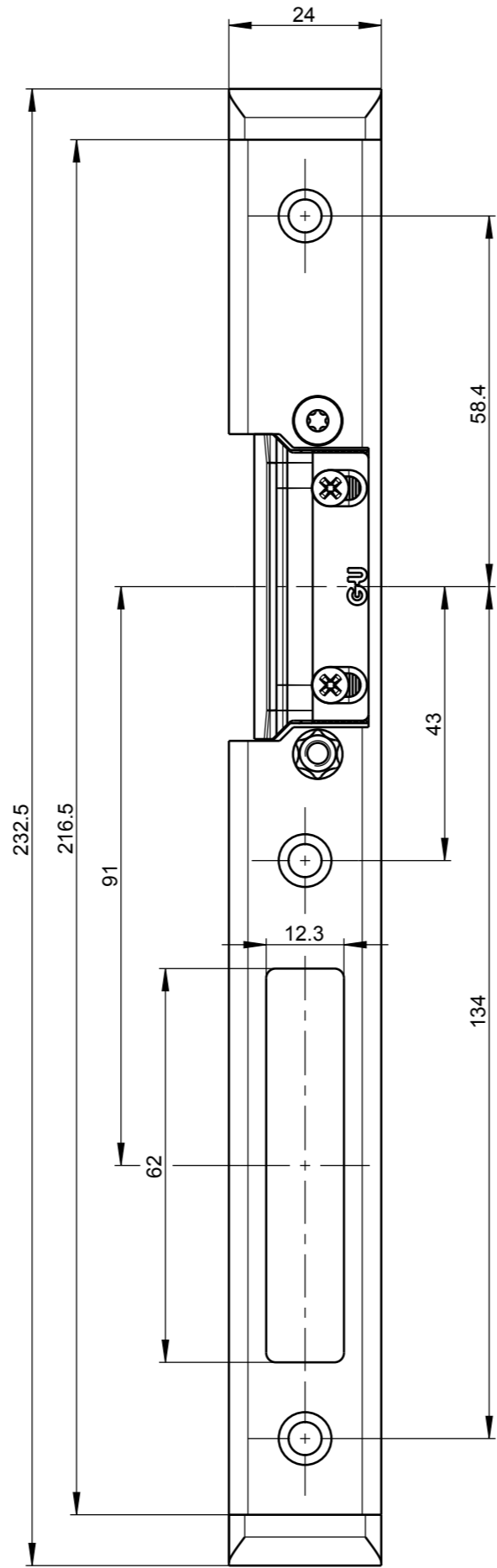
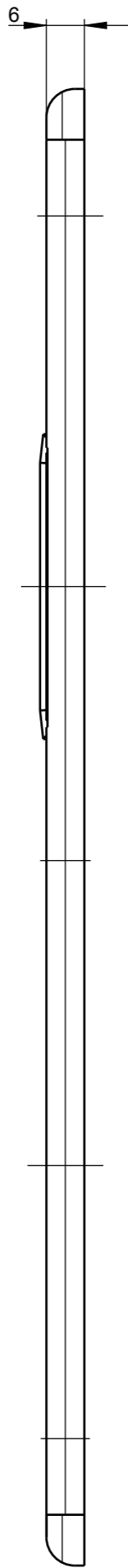


| |
|---|
| · |
| · |
| · |
| · |
| · |



| | | | | | | |
|---|-------------|-------|------------|----|-------|--------------|
| Description | | | | | | |
| Sbl/U24x6/216/NL12/AT/Est | | | | | | |
| -- | | | | | | |
| striker/U24x6/216/axis 12/interchangeable latch piece/end piece | | | | | | |
| | Release No. | Level | Released | | Scale | Modification |
| | -- | Ver. | -- | -- | 1:1 | 1 |
| | Mod. No. | Draft | 11.06.2015 | Dr | | Drawing No. |
| | -- | | | | | 6-37367-01-R |
| Replacement for -- | | | | | | Size |
| | | | | | | 3 |
| | | | | | | Sheet |
| | | | | | | 1/1 |