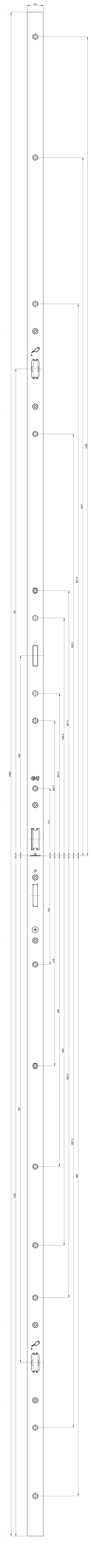
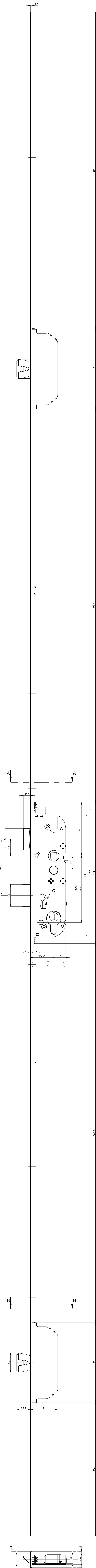


GU

6-36150-BC-0

Scale
1:1

Draft
17.11.2020 Dr



GU

6-36150-BC-0

Scale
1:1

Draft
17.11.2020 Dr