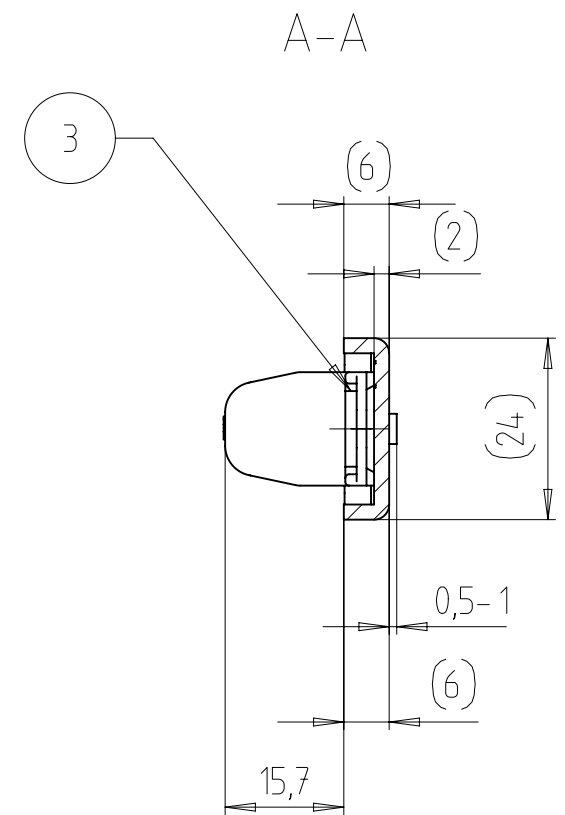
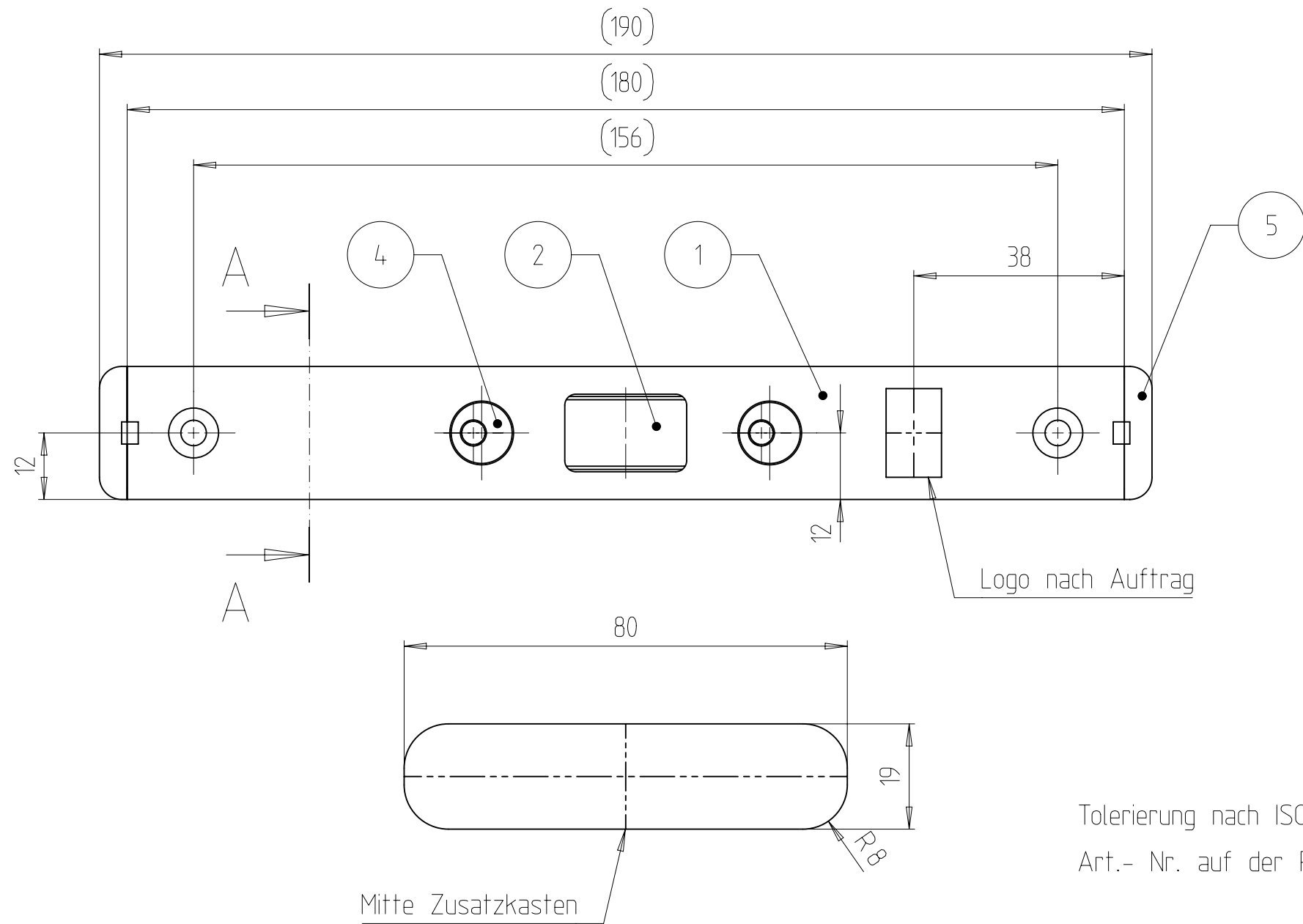


The Drawing and its contents are to be kept secret from third parties, particularly competitors. The drawing and documents which go with it are not to be duplicated either in local or extract, or used in other documentation without express approval (§15 and §18 UrHG - §1 and §8 UWG). A reservation of rights in accordance with §12 PatG is declared for the event that a patent is granted.



Pos. 4 mit Pos. 1, 2 und 3 vernietet
 Pos. 5 mit Pos. 1 vertaumelt
 Pos. 3 in Pos. 1 geklipst

Tolerierung nach ISO 8015

Art.- Nr. auf der Rückseite geprägt

5	Endkappe	2	9.811.00050	000	
4	Runder Exzenter Stufendorn	2	9.714.00050	000	
3	Scheibe	2	9.738.00019	000	
2	Schliesskasten	1	9.881.00075	000	
1	U-Profil-Schliessblech	1	9.865.00066	000	
Pos	Benennung	Stck	PDM-Nr.	Teil	Bemerk

Qty.	1			Type of Modification	Zeichnungsblatt 2 hinzugefügt		ANT	Drawn	Approved	Date
							EK1-2113001	M. M.-Bachem	P. Thode	24.03.2021
Volume /mm³	Weight/g	Material-No.	Item-No.	Tool-No.						
22568	91,300		2325-06-246							
		Tolerance	Part-Description							
		ISO2768MK	U-Profil-Schliessblech							
Scale		Additional Notice								
1 : 1										
Drawn	P. Thode		KFV	Document No.	Doc. Part No.	Revision	Status			
Date	09.11.2011			7.865.00541	000	26	20			
Appr.	A. Raisig			Replacement for :	Test procedure		Size			
Date	09.11.2011			Replaced by :			A3			