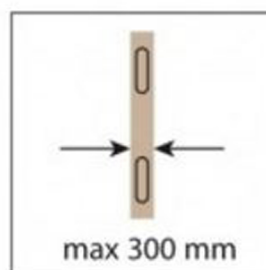



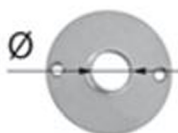


Realizzazione - Realización - Realisation  
Version - Ausführung - Материал

ALLUMINIO - ALUMINIO  
ALUMINIUM - ALUMINUM  
АЛЮМИНИЕВЫЙ



DIMA UNIVERSAL		Art. K.DIMA	
Model:	Code:	$\varnothing$	$\varnothing$
			
Kubica K2400	Art. K240	16 mm	30 mm
Kubica K5080	Art. K508	16 mm	30 mm
Kubica K6200	Art. K620	16 mm	30 mm
Kubica K6700	Art. K670	16 mm	30 mm
Kubica K6900	Art. K690	12 mm	30 mm
Kubica K6300	Art. K630	12 mm	30 mm
Kubica 27	Art. K270	16 mm	30 mm
Kubica KubiKuadra	Art. K300	16 mm	30 mm
Kubica KubiCenter	Art. K640	16 mm	30 mm
KuBi 7 K7000	Art. K700	16 mm	30 mm
KuBi 7 K7080	Art. K708	16 mm	30 mm
KuBi 7 K7120	Art. K712	16 mm	30 mm
KuBi 7 K7200	Art. K720	16 mm	30 mm
KuBi 7 Kubica Twist	Art. K708	16 mm	30 mm
Kubikina K6100	Art. K610	10 mm	30 mm

Frese consigliate - Fresas recomendadas - Fraises conseillées  
Suggested milling sets - Empfohlene Fräser - Рекомендуемые фрезы

$\varnothing$ 16 mm	L = 110 mm	CMT 177.161.11
$\varnothing$ 12 mm	L = 100 mm	CMT 177.121.11
$\varnothing$ 10 mm	L = 90 mm	CMT 177.100.11