

JET

31 A

Combination Disc/Belt Sander

Original:

GB
Operating Instructions

Translations:

D
Gebrauchsanleitung

F
Mode d'emploi



Walter Meier (Fertigung) AG

Bahnstrasse 24
8603 Schwerzenbach
Switzerland

Phone +41 44 806 47 48

Fax +41 44 806 47 58

jetinfo.eu@waltermeier.com

www.jettools.com



M-1791291KM

2009-08-28

CE-Conformity Declaration

Product: Disc and Belt Sander

31A

Stock Number: 1791291KM

Brand: JET

Manufacturer:

Walter Meier (Fertigung) AG, Bahnstrasse 24, 8603 Schwerzenbach, Switzerland

On our own responsibility we hereby declare that this product complies
with the regulations

- * 2006/42/EC Machinery Directive
- * 2004/108/EC EMC Directive (Electro Magnetic Compatibility)
- * 2006/95/EC Low Voltage Directive
- * 2002/95/EC RoHS Directive (Reduction of Hazardous Substances)

designed in consideration of the standards

** EN 12100-1, EN 12100-2, EN 294, EN 349, EN 55014, EN 60204-1

Technical file compiled by: Marcel Hofstetter, Head of Product Management



2009-08-28 Carl Müller, General Manager

Walter Meier (Fertigung) AG, Bahnstrasse 24, 8603 Schwerzenbach, Switzerland

GB - ENGLISH

Operating Instructions

Dear Customer,

Many thanks for the confidence you have shown in us with the purchase of your new JET-machine. This manual has been prepared for the owner and operators of a JET 31A combination disc/belt sander to promote safety during installation, operation and maintenance procedures. Please read and understand the information contained in these operating instructions and the accompanying documents. To obtain maximum life and efficiency from your machine, and to use the machine safely, read this manual thoroughly and follow instructions carefully.

...Table of Contents

1. Declaration of conformity

2. Warranty

3. Safety

Authorized use
General safety notes
Remaining hazards

4. Machine specifications

Technical data
Noise emission
Contents of delivery

5. Transport and start up

Transport and installation
Assembly
Mains connection
Dust connection
Starting operation

6. Machine operation

Vertical belt sanding
Horizontal belt sanding
Contour belt sanding
Disc sanding

7. Setup and adjustments

Belt arm positioning
Belt table/ fence setup
Changing the sanding belt
Belt tracking adjustment
Sanding disc replacement

8. Maintenance and inspection

9. Trouble shooting

10. Available accessories

1. Declaration of conformity

On our own responsibility we hereby declare that this product complies with the regulations* listed on page 2. Designed in consideration with the standards**.

2. Warranty

The Seller guarantees that the supplied product is free from material defects and manufacturing faults. This warranty does not cover any defects which are caused, either directly or indirectly, by incorrect use, carelessness, accidental damage, repair, inadequate maintenance or cleaning and normal wear and tear.

Guarantee and/or warranty claims must be made within twelve months from the date of purchase (date of invoice). Any further claims shall be excluded.

This warranty includes all guarantee obligations of the Seller and replaces all previous declarations and agreements concerning warranties.

The warranty period is valid for eight hours of daily use. If this is exceeded, the warranty period shall be reduced in proportion to the excess use, but to no less than three months.

Returning rejected goods requires the prior express consent of the Seller and is at the Buyer's risk and expense.

Further warranty details can be found in the General Terms and Conditions (GTC). The GTC can be viewed at www.jettools.com or can be sent by post upon request.

The Seller reserves the right to make changes to the product and accessories at any time.

3. Safety

3.1 Authorized use

This disc/belt sander is designed for sanding wood and similar materials only. Sanding of other materials is not permitted and may be carried out in specific cases only after consulting with the manufacturer.

The machine is not suitable for wet sanding.

The proper use also includes compliance with the operating and maintenance instructions given in this manual.

The machine must be operated only by persons familiar with its operation and maintenance and who are familiar with its hazards.

The required minimum age must be observed.

The machine must only be used in a technically perfect condition.

When working on the machine, all safety mechanisms and covers must be mounted.

In addition to the safety requirements contained in these operating instructions and your country's applicable regulations, you should observe the generally recognized technical rules concerning the operation of woodworking machines.

Any other use exceeds authorization. In the event of unauthorized use of the machine, the manufacturer renounces all liability and the responsibility is transferred exclusively to the operator

3.2 General safety notes

Woodworking machines can be dangerous if not used properly. Therefore the appropriate general technical rules as well as the following notes must be observed.

Read and understand the entire instruction manual before attempting assembly or operation.

Keep this operating instruction close by the machine, protected from dirt and humidity, and pass it over to the new owner if you part with the tool.

No changes to the machine may be made.

Daily inspect the function and existence of the safety appliances before you start the machine. Do not attempt operation in this case, protect the machine by unplugging the mains cord.

Remove all loose clothing and confine long hair.

Before operating the machine, remove tie, rings, watches, other jewellery, and roll up sleeves above the elbows.

Wear safety shoes; never wear leisure shoes or sandals.

Always wear the approved working outfit.

Do **not** wear gloves.

Install the machine so that there is sufficient space for safe operation and workpiece handling.

Keep work area well lighted.

The machine is designed to operate in closed rooms and must be placed stable on firm and levelled table surface.

Make sure that the power cord does not impede work and cause people to trip.

Keep the floor around the machine clean and free of scrap material, oil and grease.

Stay alert!

Give your work undivided attention. Use common sense. Do not operate the machine when you are tired.

Do not operate the machine under the influence of drugs, alcohol or any medication. Be aware that medication can change your behaviour.

Never reach into the machine while it is operating or running down.

Never leave a running machine unattended. Before you leave the workplace switch off the machine.

Keep children and visitors a safe distance from the work area.

Do not operate the electric tool near inflammable liquids or gases. Observe the fire fighting and fire alert options, for example the fire extinguisher operation and place.

Do not use the machine in a dump environment and do not expose it to rain.

Wood dust is explosive and can also represent a risk to health.

Dust from some tropical woods in particular, and from hardwoods like beach and oak, is classified as a carcinogenic substance. Always use a suitable dust extraction device

Before machining, remove any nails and other foreign bodies from the workpiece.

Never operate with the table insert not in place.

Make sure to guide and hold the workpiece thigh during machining.

Machine only stock which rests securely on the table.

Specifications regarding the maximum or minimum size of the workpiece must be observed.

Do not remove chips and workpiece parts until the machine is at a standstill.

Do not stand on the machine.

Connection and repair work on the electrical installation may be carried out by a qualified electrician only.

Have a damaged or worn power cord replaced immediately.

Replace any torn or worn sanding belt respectively sanding disc immediately.

Make all machine adjustments or maintenance with the machine unplugged from the power source.

3.3 Remaining hazards

When using the machine according to regulations some remaining hazards may still exist.

The moving sanding belt respectively sanding disc can cause injury.

Risk of kickback. The workpiece is caught by the moving sanding belt respectively sanding disc and thrown back to the operator.

Thrown workpiece parts can lead to injury.

Sanding dust and noise can be health hazards. Be sure to wear personal protection gear such as safety goggles and dust mask. Use a suitable dust exhaust system.

Defective sanding belts respectively sanding discs can cause injuries.

The use of incorrect mains supply or a damaged power cord can lead to injuries caused by electricity.

4. Machine specifications

4.1 Technical data

Belt size (WxL)	150x1220mm
Belt table size (WxL)	190x330mm
Belt table tilt	-45° to 0°
Belt speed	11.5m/sec
Sanding disc diameter	300mm
Disc table size (WxL)	230x420mm
Disc table tilt	-45° to +15°
Disc speed	2270 rpm
Dust port diameter	100mm
suction at 20 m/sec	560m ³ /h
Overall (LxWxH)	830x700x1400mm
Net weight	124kg
Mains	230V ~1/N/PE 50Hz
Output power	1,1 kW (1,5HP) S1
Reference current	7A
Extension cord (H07RN-F):	3x1,5mm ²
Installation fuse protection	16A

4.2 Noise emission

Acoustic pressure level (EN 11202):	
Idling	71,9 dB (A)
In operation	84,1 dB (A)

The specified values are emission levels and are not necessarily to be seen as safe operating levels. As workplace conditions vary, this information is intended to allow the user to make a better estimation of the hazards and risks involved only.

4.3 Content of delivery

Base assembly with motor
Sanding belt 60 grit
Sanding disc 60 grit
2 tables
Mitre gauge
Operating tools
Assembly kit
Operating manual
Spare parts list.

5. Transport and start up

5.1 Transport and installation

For transport use a forklift or hand trolley. Make sure the machine does not tip or fall off during transport.

The machine is designed to operate in closed rooms and must be placed stable on firm and levelled ground. The machine can be bolted down if required.

For packing reasons the machine is not completely assembled.

5.2 Assembly

If you notice any transport damage while unpacking, notify your supplier immediately. Do not operate the machine!

Dispose of the packing in an environmentally friendly manner.

Clean all rust protected surfaces with a mild solvent.

Mount the sander to the machine stand and connect with 4 lock bolts, washers and spring washers (A, Fig 1).

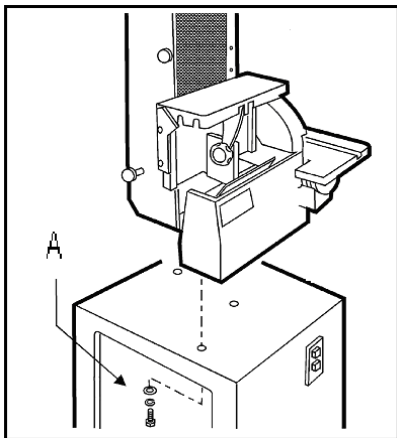


Fig 1

Install the drive belt (C, Fig 2).

Adjust the belt tension by adjusting the nuts (F, Fig 2).

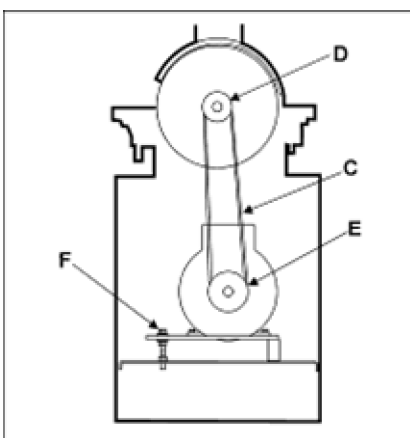


Fig 2

Close and lock the cabinet door.

5.3 Mains connection

Mains connection and any extension cords used must comply with applicable regulations.

The mains voltage must comply with the information on the machine licence plate.

The mains connection must have a 16A surge-proof fuse.

Only use power cords marked H07RN-F

Connections and repairs to the electrical equipment may only be carried out by qualified electricians.

5.4 Dust connection

Before initial operation, the machine must be connected to a dust collector. The suction should switch on automatically when the belt sander is switched on.

The flow rate on the 100mm suction port must be 20m/sec. Flexible hoses must be of non-flammable quality, and must be connected to the dust collector ground system.

5.5 Starting operation

You can start the machine with the green on button. The red button on the main switch stops the machine.

6. Machine operation

Feed the workpiece straight across the machine table, holding your fingers close together, guiding the workpiece with the palm of your hands.

Don't put your hands under the machine table.

Always keep your hands well clear of the moving sanding belt or disc.

When working complex shapes, make jigs and guides to guide the workpiece properly and safely.

Support long workpieces with helping roller stands.

For bevel sanding the tables can be tilted. Adjust the tables to keep a distance between the sanding paper and the table edge of 2 mm.

6.1 Vertical belt sanding:

When sanding in the vertical position, the table attachment must be positioned as sanding table (Fig 3).

The table can be tilted at any angle between 90° and 45°

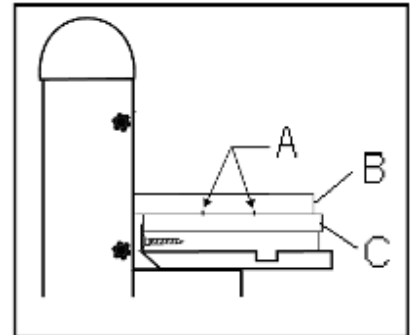


Fig 3

For pattern sanding the workpiece (B, Fig 3) is mounted to a sanding template (C) with nails (A).

6.2 Horizontal belt sanding:

When sanding in the horizontal position, the table attachment may be positioned as sanding fence (see chapter 7.2).

The fence can be tilted at any angle between 90° and 45°.

The work stop (A, Fig 4) must be installed to stop the workpiece.



Fig 4

The fence can be angled across the sanding belt for scw sanding (Fig 5).



Fig 5

6.3 Contour belt sanding:

Can be done with the idler pulley end cover swung open (Fig 6).



Fig 6

Caution:

Bring the end cover back in protecting position immediately after contouring operation.

6.4 Disc sanding:

The sanding table may be adjusted at any angle from 15° up to 45° down.

An adjustable 45° stop (C, Fig 7) is located under the table.



Fig 7

An adjustable 0° stop (F, Fig 8) is located on the back of the machine and must be swung out of position for the table to be tilted down.

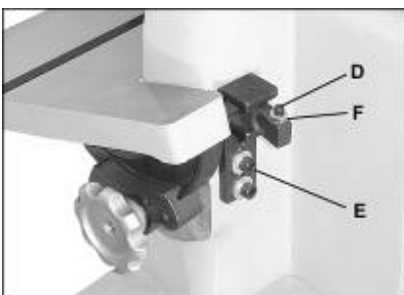


Fig 8

7. Setup and adjustments

General note:

Setup and adjustment work may only be carried out after the machine is protected against accidental starting by pulling the mains plug.

7.1 Belt arm positioning

Loosen the indexable knob (A, Fig 9) and pull out the lock pin (B, Fig 10) so that the sanding belt can be rotated to the desired working position.

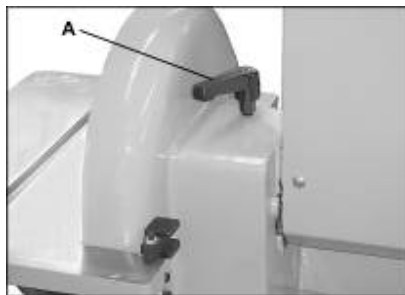


Fig 9

The lock pin can index at 0°, 45° and 90° (Fig 10).

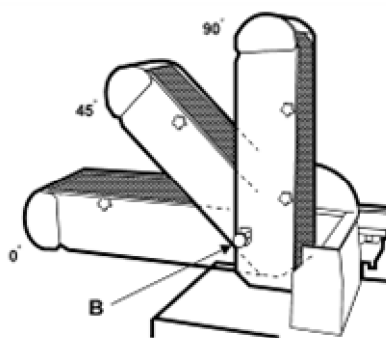


Fig 10

7.2 Belt table/ fence setup

To angle the table across the sanding belt loosen the two socket head screws (B, Fig 11).

Rotate the table attachment by sliding it around the screws using the curved slot (C).



Fig 11

The table attachment can be positioned alternatively as belt sanding fence.

To change the table attachment from table to fence, remove the two socket head screws (B, Fig 11).

Remove the table attachment and rotate the pivot plate (D, Fig 12) 180°.

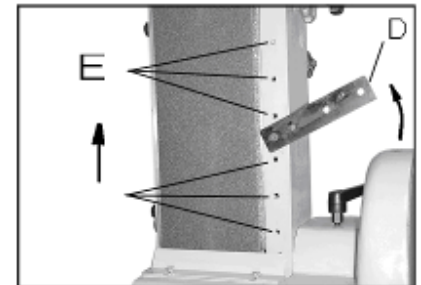


Fig 12

Place the table on the pivot plate. Place and tighten the screws on holes (E).

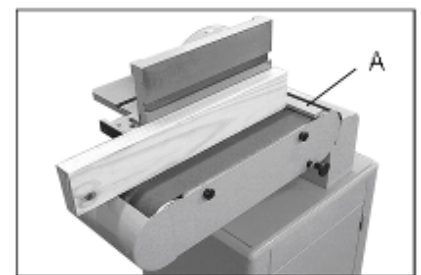


Fig 13

Install the work stop (A, Fig 13).

7.3 Changing the sanding belt

Disconnect the machine from the power source (pull mains plug).

Lock the belt sander in the vertical position.

Loosen the knob (A, Fig 14) and swing the belt end cover (B) out of position.

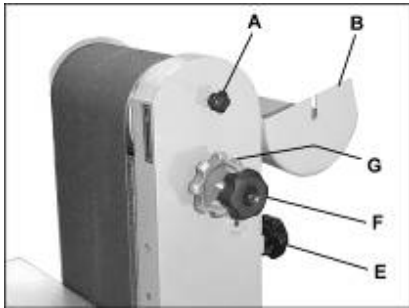


Fig 14

Remove the belt side cover (C, Fig 15).

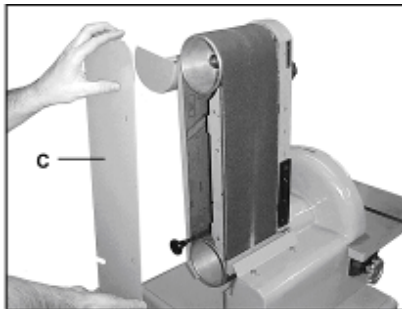


Fig 15

Release the belt tension on the tension handle (E, Fig 14).

Carefully remove the old belt. Observe the direction arrow on the inside of the sanding belt. Make sure that the direction arrow on the belt matches the direction indicator on the belt cover. Install the new belt over both rollers and line up edge of belt with edge of rollers.

Tension the belt.

Close the belt covers.

Note: Belts stretch with wear. You may have to adjust tracking with a new belt.

7.4 Belt tracking adjustment

Disconnect the machine from the power source (pull mains plug).

Push the belt by hand in the direction indicated on the belt cover. Observe the belt position on the rollers. Edge of belt should remain even with the edge of the rollers.

Release the tracking lock nut (G, Fig 14)

The blade tracking is now adjustable by turning the micro adjusting screw (F, Fig 14).

If the belt has a tendency to track left of centre, turn the micro adjusting screw clockwise.... and vice versa.

Clamp the tracking lock nut.

Turn on the power to the machine just enough to start the belt rotating and then turn off. Do this several times and observe belt tracking. Readjust if necessary.

7.5 Sanding disc replacement

Disconnect the machine from the power source (pull mains plug).

Remove the table assembly.

Remove the cover.

Remove the old sanding disc.

Make sure the disc plate is clean before you attach the new sanding disc.

8. Maintenance and inspection

General notes:

Maintenance, cleaning and repair work may only be carried out after the machine is protected against accidental starting by pulling the mains plug.

Check sanding disc and belt regularly for faults. Replace a defective sanding disc or belt immediately.

Clean the machine regularly.

Inspect the proper function of the dust extraction daily.

Defective safety devices must be replaced immediately.

Repair and maintenance work on the electrical system may only be carried out by a qualified electrician.

Lubrication:

Monthly grease the idler slide (A, Fig 16).

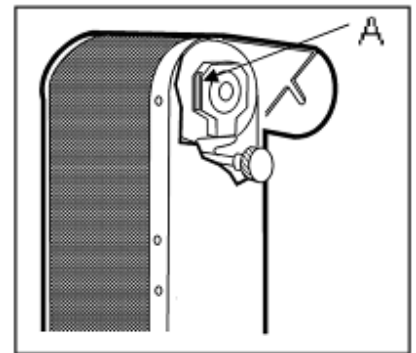


Fig 16

Monthly oil the table clamp screw (A, Fig7) and the lock pin (B, Fig 10).

9. Trouble shooting

Motor doesn't start

- *No electricity- check mains and fuse.
- *Defective switch, motor or cord- consult an electrician.

Sanding belt slips

- *Belt tension inadequate- tighten sanding belt.
- *Too much applied pressure move workpiece while sanding.

Disc stalls

- *Motor belt loose- tighten belt.
- *Too much applied pressure move workpiece while sanding.

Machine vibrates excessively

- *Stand on uneven floor- adjust stand for even support.

Abrasive belt keeps tearing

- *Belt is running the wrong direction- observe arrow on the sanding belt.

Sanded edge not square

- *Table not square to sanding disc- Adjust positive stop for 90°.

Sanding marks on the wood

- *Workpiece was held still- keep workpiece moving.
- *Wrong grit sanding belt- use coarser grit for stock removal and fine grit for finish sanding.
- *Feed pressure too high- never force the wood.

10. Available accessories

Refer to the JET-Pricelist for various grit sanding belts and sanding discs.

DE - DEUTSCH

Gebrauchsanleitung

Sehr geehrter Kunde,

vielen Dank für das Vertrauen, welches Sie uns beim Kauf Ihrer neuen JET-Maschine entgegengebracht haben. Diese Anleitung ist für den Inhaber und die Bediener zum Zweck einer sicheren Inbetriebnahme, Bedienung und Wartung des Teller- und Bandschleifers Jet 31A erstellt worden. Beachten Sie bitte die Informationen dieser Gebrauchsanleitung und der beiliegenden Dokumente. Lesen Sie diese Anleitung vollständig, insbesondere die Sicherheitshinweise, bevor Sie die Maschine zusammenbauen, in Betrieb nehmen oder warten. Um eine maximale Lebensdauer und Leistungsfähigkeit Ihrer Maschine zu erreichen befolgen Sie bitte sorgfältig die Anweisungen.

Inhaltsverzeichnis

- 1. Konformitätserklärung**
- 2. Garantieleistungen**
- 3. Sicherheit**
 - Bestimmungsgemäße Verwendung
 - Allgemeine Sicherheitshinweise
 - Restrisiken
- 4. Maschinenspezifikation**
 - Technische Daten
 - Schallemission
 - Lieferumfang
- 5. Transport und Inbetriebnahme**
 - Transport und Aufstellung
 - Montage
 - Elektrischer Anschluss
 - Absauganschluss
 - Inbetriebnahme
- 6. Betrieb der Maschine**
 - Vertikal Bandschleifen
 - Horizontal Bandschleifen
 - Kontur Bandschleifen
 - Tellerschleifen
- 7. Rüst- und Einstellarbeiten**
 - Schleifeinheit Schwenken
 - Schleiftisch/Anschlag Rüsten
 - Schleiband Wechsel
 - Bandlauf Einstellung
 - Tellerschleifpapier Wechsel
- 8. Wartung und Inspektion**
- 9. Störungsabhilfe**

10. Lieferbares Zubehör

1. Konformitätserklärung

Wir erklären in alleiniger Verantwortlichkeit, dass dieses Produkt mit den auf Seite 2 angegebenen Richtlinien* übereinstimmt. Bei der Konstruktion wurden folgende Normen** berücksichtigt.

2. Garantieleistungen

Der Verkäufer garantiert, dass das gelieferte Produkt frei von Material- und Fertigungsfehlern ist. Diese Garantie trifft nicht auf jene Defekte zu, welche auf direkten oder indirekten, nicht fachgerechten Gebrauch, Unachtsamkeit, Unfallschaden, Reparatur, mangelhafte Wartung bzw. Reinigung sowie normalen Verschleiß zurückzuführen sind.

Garantie- bzw. Gewährleistungsansprüche müssen innerhalb von 12 Monaten ab dem Verkaufsdatum (Rechnungsdatum) geltend gemacht werden. Weitergehende Ansprüche sind ausgeschlossen.

Die vorliegende Garantie umfasst sämtliche Garantieverpflichtungen seitens des Verkäufers und ersetzt alle früheren Erklärungen und Vereinbarungen betreffend Garantien.

Die Garantiefrist gilt für eine tägliche Betriebszeit von 8 Stunden. Wird diese überschritten, so verkürzt sich die Garantiefrist proportional zur Überschreitung, jedoch höchstens auf 3 Monate.

Die Rücksendung beanstandeter Ware bedarf der ausdrücklichen vorherigen Zustimmung vom Verkäufer und geht auf Kosten und Gefahr des Käufers.

Die ausführlichen Garantieleistungen sind den Allgemeinen Geschäftsbedingungen (AGB) zu entnehmen. Die AGB sind unter www.jettools.com einzusehen oder werden auf Anfrage per Post zugestellt.

Der Verkäufer behält sich das Recht vor, jederzeit Änderungen am Produkt und Zubehör vorzunehmen.

3. Sicherheit

3.1 Bestimmungsgemäße Verwendung

Dieser Teller- und Bandschleifer ist geeignet zum Schleifen von Holz und Holzersatzstoffen. Die Bearbeitung anderer Werkstoffe ist nicht zulässig bzw. darf in Sonderfällen nur nach Rücksprache mit dem Maschinenhersteller erfolgen.

Die Maschine ist nicht für Nass-Schliff geeignet.

Die bestimmungsgemäße Verwendung beinhaltet auch die Einhaltung der vom Hersteller angegebenen Betriebs- und Wartungsanweisungen.

Die Maschine darf ausschließlich von Personen bedient werden, die mit Betrieb und Wartung vertraut und über die Gefahren unterrichtet sind.

Das gesetzliche Mindestalter ist einzuhalten.

Neben den in der Gebrauchsanleitung enthaltenen Sicherheitshinweisen und den besonderen Vorschriften Ihres Landes sind die für den Betrieb von Holzbearbeitungsmaschinen allgemein anerkannten fachtechnischen Regeln zu beachten.

Jeder darüber hinaus gehende Gebrauch gilt als nicht bestimmungsgemäß und für daraus resultierende Schäden haftet der Hersteller nicht. Das Risiko trägt allein der Benutzer.

3.2 Allgemeine Sicherheitshinweise

Holzbearbeitungsmaschinen können bei unsachgemäßem Gebrauch gefährlich sein. Deshalb ist zum sicheren Betreiben die Beachtung der zutreffenden Unfallverhütungs-Vorschriften und der nachfolgenden Hinweise erforderlich.

Lesen und verstehen Sie die komplette Gebrauchsanleitung bevor Sie mit Montage oder Betrieb der Maschine beginnen.

Bewahren Sie die Bedienungsanleitung, geschützt vor Schmutz und Feuchtigkeit, bei der Maschine auf, und geben Sie sie an einen neuen Eigentümer weiter.

An der Maschine dürfen keine Veränderungen, An- und Umbauten vorgenommen werden.

Überprüfen Sie täglich vor dem Einschalten der Maschine die einwandfreie Funktion und das Vorhandensein der erforderlichen Schutzeinrichtungen.

Festgestellte Mängel an der Maschine oder den Sicherheitseinrichtungen sind zu melden und von den beauftragten Personen zu beheben. Nehmen Sie die Maschine in solchen Fällen nicht in Betrieb, sichern Sie die Maschine gegen Einschalten durch Ziehen des Netzsteckers.

Zum Schutz von langem Kopfhaar Mütze oder Haarnetz aufsetzen.

Enganliegende Kleidung tragen, Schmuck, Ringe und Armbanduhren ablegen.

Tragen Sie Schutzschuhe, keinesfalls Freizeitschuhe oder Sandalen.

Verwenden Sie die durch Vorschriften geforderte persönliche Schutzausrüstung.

Beim Arbeiten an der Maschine **keine Handschuhe** tragen.

Die Maschine so aufstellen, dass genügend Platz zum Bedienen und zum Führen der Werkstücke gegeben ist.

Sorgen Sie für gute Beleuchtung.

Achten Sie darauf, dass die Maschine standsicher auf fester und ebener Tischfläche steht.

Beachten Sie dass die elektrische Zuleitung nicht den Arbeitsablauf behindert und nicht zur Stolperstelle wird.

Den Arbeitsplatz frei von hindernden Werkstücken, etc. halten.

Niemals in die laufende Maschine greifen.

Seien Sie aufmerksam und konzentriert. Gehen Sie mit Vernunft an die Arbeit.

Arbeiten Sie niemals unter dem Einfluss von Rauschmitteln wie Alkohol und Drogen an der Maschine. Beachten Sie, dass auch Medikamente Einfluss auf Ihr Verhalten nehmen können.

Halten Sie Unbeteiligte, insbesondere Kinder vom Gefahrenbereich fern.

Die laufende Maschine nie unbeaufsichtigt lassen.

Vor dem Verlassen des Arbeitsplatzes die Maschine ausschalten.

Benützen Sie die Maschine nicht in der Nähe von brennbaren Flüssigkeiten oder Gasen. Beachten Sie die Brandmelde- und Brandbekämpfungsmöglichkeiten z.B. Standort und Bedienung von Feuerlöschern.

Benützen Sie die Maschine nicht in feuchter Umgebung und setzen Sie sie nicht dem Regen aus.

Achten Sie stets darauf, dass keine zu große Staubkonzentration entsteht – verwenden Sie stets eine geeignete Absauganlage
Holzstaub ist explosiv und kann gesundheitsschädigend sein. Insbesondere tropische Hölzer und harte Hölzer wie Buche und Eiche sind als krebserregend eingestuft.

Vor der Bearbeitung Nägel und andere Fremdkörper aus dem Werkstück entfernen.

Die Maschine nie ohne Tischeinlage betreiben.

Es ist darauf zu achten dass alle Werkstücke beim Bearbeiten sicher gehalten und sicher geführt werden.

Bearbeiten Sie nur ein Werkstück, das sicher auf dem Tisch aufliegt.

Angaben über die min. und max. Werkstückabmessungen müssen eingehalten werden

Späne und Werkstückteile nur bei stehender Maschine entfernen.

Nicht auf der Maschine stehen.

Arbeiten an der elektrischen Ausrüstung der Maschine dürfen nur durch eine Elektrofachkraft vorgenommen werden.

Tauschen Sie ein beschädigtes Netzkabel sofort aus.

Schadhafte Schleifbänder bzw. Schleifteller sofort ersetzen.

Umrüst-, Einstell- und Reinigungsarbeiten nur im Maschinenstillstand und bei gezogenem Netzstecker vornehmen.

3.3 Restrisiken

Auch bei vorschriftsmäßiger Benutzung der Maschine bestehen die nachfolgend aufgeführten Restrisiken.

Verletzungsgefahr durch das frei laufende Schleifband bzw. den frei laufenden Schleifteller

Rückschlaggefahr. Das Werkstück wird von dem sich bewegenden Schleifband bzw. dem frei laufenden Schleifteller erfasst und gegen den Bediener geschleudert.

Gefährdung durch wegfliegende Werkstücke.

Gefährdung durch Lärm und Staub. Unbedingt persönliche Schutzausrüstungen wie Augen-, Gehör- und Staubschutz tragen. Eine geeignete Absauganlage einsetzen!

Gefährdung durch ein schadhafes Schleifband bzw. ein schadhafes Tellerschleifpapier.

Gefährdung durch Strom, bei nicht ordnungsgemäßer Verkabelung.

4. Maschinenspezifikation

4.1 Technische Daten

Schleifband (BxL)	150x1220mm
Band-Schleiftisch(BxL)	190x330mm
Schwenkbereich	-45° bis 0°
Bandgeschwindigkeit	11.5m/sec
Schleifteller Durchmesser	300mm
Auflagetisch (BxL)	230x420mm
Schwenkbereich	-45° bis +15°
Schleifteller Drehzahl	22700 U/min
Absauganschluss Durchm.	100mm
Absaugvolumenstrom bei 20 m/sec	560m ³ /h
Maschinenabmessungen (LxBxH)	830x700x1400mm
Maschinengewicht	124 kg
Netzanschluss	230V ~1/N/PE 50Hz
Abgabeleistung	1,1 kW (1,5PS) S1
Betriebsstrom	7A
Anschlussleitung (H07RN-F)	3x1,5mm ²
Bauseitige Absicherung	16A

4.2 Schallemission

Schalldruckpegel (nach EN 11202):

Leerlauf	71,9 dB (A)
Bearbeitung	84,1 dB (A)

Die angegebenen Werte sind Emissionspegel und sind nicht notwendigerweise Pegel für sicheres Arbeiten.

Sie sollen dem Anwender eine Abschätzung der Gefährdung und des Risikos ermöglichen.

4.3 Lieferumfang

Maschinenuntersatz mit Motor
Schleifband Korn 60
Tellerschleifpapier Korn 60
2 Schleiftische
Gehrungsanschlag
Bedienwerkzeug
Montagezubehör
Gebrauchsanleitung
Ersatzteilliste

5. Transport und Inbetriebnahme

5.1. Transport und Aufstellung

Zum Transport verwenden Sie einen handelsüblichen Stapler oder Hubwagen. Sichern Sie die Maschine gegen Umfallen.

Die Aufstellung der Maschine sollte in geschlossenen Räumen erfolgen, tischlerübliche Bedingungen in der Werkstatt sind dabei ausreichend.

Die Aufstellfläche muss ausreichend eben und belastungsfähig sein. Die Maschine kann bei Bedarf auf der Aufstellfläche befestigt werden.

Aus verpackungstechnischen Gründen ist die Maschine nicht komplett montiert.

5.2 Montage

Wenn Sie beim Auspacken einen Transportschaden feststellen, benachrichtigen Sie umgehend Ihren Händler, nehmen Sie das Gerät nicht in Betrieb.

Entsorgen Sie die Verpackung bitte umweltgerecht.

Entfernen Sie das Rostschutzfett mit einem milden Lösungsmittel.

Montieren Sie die Schleifmaschine auf dem Maschinenuntersatz und verbinden Sie mit 4 Schrauben, 4 Scheiben und 4 Federscheiben (A, Fig 1).

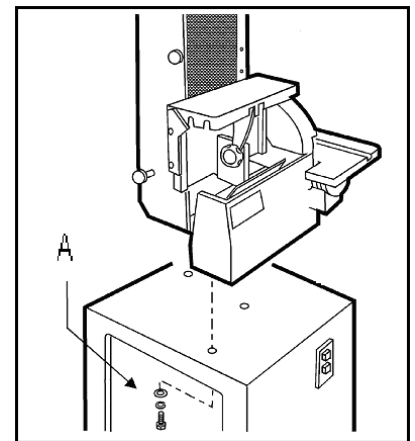


Fig 1

Legen Sie den Antriebsriemen (C, Fig 2) auf.

Spannen Sie den Riemen durch Verstellen der Muttern (F, Fig 2).

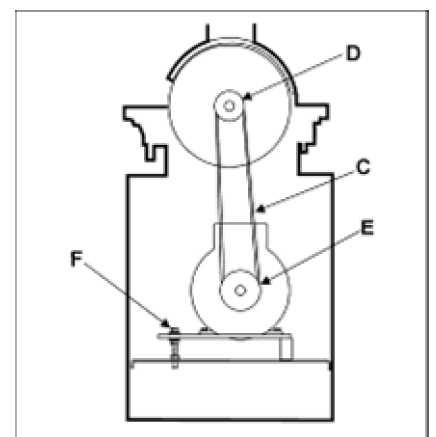


Fig 2

Schließen und sichern Sie die Untersatz Tür.

5.3 Elektrischer Anschluss

Der kundenseitige Netzanschluss sowie die verwendeten Verlängerungsleitungen müssen den Vorschriften entsprechen. Die Netzspannung und Frequenz müssen mit den Leistungsschilddaten an der Maschine übereinstimmen.

Die bauliche Absicherung muss dabei 16A betragen.

Verwenden Sie nur Anschlussleitungen mit Kennzeichnung H07RN-F

Anschlüsse und Reparaturen der elektrischen Ausrüstung dürfen nur von einem Elektrofachkraft durchgeführt werden.

5.4 Absauganschluss

Die Maschine muss vor der Inbetriebnahme an eine Absaugung angeschlossen werden und zwar derart, dass sich beim Einschalten der Schleifmaschine die Absaugung selbsttätig mit einschaltet.

Die Mindestluftgeschwindigkeit am 100mm Absaugstutzen muss 20 m/s betragen.

Absaugschläuche müssen der Qualität „schwer entflammbar“ entsprechen und in die Erdung der Absauganlage mit einbezogen werden.

5.5 Inbetriebnahme

Mit dem grünen Eintaster am Hauptschalter kann die Maschine gestartet werden: Mit dem roten Aus-Taster kann die Maschine stillgesetzt werden.

6. Betrieb der Maschine

Das Werkstück aufgelegt über den Maschinentisch schieben. Dabei die Finger geschlossen halten und mit der flachen Hand Führen.

Fassen Sie nicht unter den Maschinentisch.

Halten Sie immer ausreichend Abstand zum bewegten Schleifband bzw. Schleifteller.

Bei komplizierten Formen, Schablonen zum exakten und sicheren Führen herstellen.

Lange Werkstücke durch Rollenböcke abstützen.

Zum Schrägschliff können die Maschinentische geneigt werden. Stellen Sie einen Abstand von 2mm zwischen dem Schleifpapier und der Tischlippe ein.

6.1 Vertikal Bandschleifen:

Zum Vertikal Bandschleifen wird die Tischeinheit als Schleiftisch montiert (Fig 3).

Der Tischwinkel kann zwischen 90° und 45° eingestellt werden.

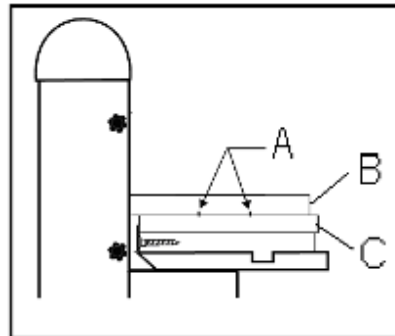


Fig 3

Beim Schablonenschliff wird das Werkstück (B, Fig 3) mit Nägeln (A) auf einer Schablone (C) befestigt.

6.2 Horizontal Bandschleifen:

Zum Horizontal Bandschleifen dient die Tischeinheit als Anschlag (siehe Kapitel 7.2).

Der Anschlag kann zwischen 90° und 45° eingestellt werden.

Der Längsanschlag (A, Fig 4) muss montiert werden um das Werkstück zu stoppen.



Fig 4

Für einen gezogenen Schrägschliff kann der Anschlag quer zum Schleifband eingestellt werden (Fig 5).



Fig 5

6.3 Kontur Bandschleifen:

Klappen Sie dazu die Bandrollenabdeckung nach hinten (Fig 6).

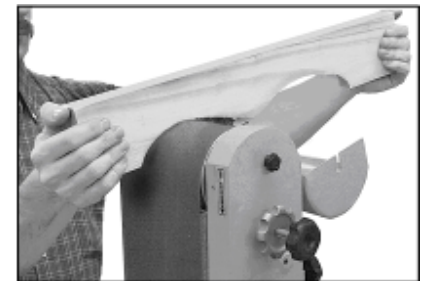


Fig 6

Achtung:
Die Bandrollenabdeckung am Ende des Arbeitsganges sofort wieder verschließen.

6.4 Tellerschleifen:

Der Tischwinkel kann zwischen 15° nach oben und 45° nach unten eingestellt werden.

Ein einstellbarer 45° Anschlag (C, Fig 7) befindet sich unterhalb des Tisches.



Fig 7

Der einstellbare 0° Anschlag (F, Fig 8) am hinteren Tischende muss zum Abkippen weggeschwenkt werden.

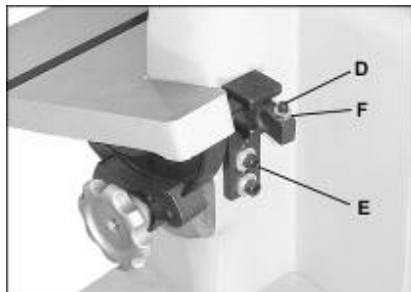


Fig 8

7. Rüst- und Einstellarbeiten

Allgemeine Hinweise

Vor Rüst- und Einstellarbeiten muss die Maschine gegen Inbetriebnahme gesichert werden.

Netzstecker ziehen!

7.1 Schleifeinheit Schwenken

Lösen Sie den Indexiergriff (A, Fig 9). Ziehen Sie am Indexbolzen (B, Fig 10) und schwenken Sie gleichzeitig die Schleifeinheit in die gewünschte Position.

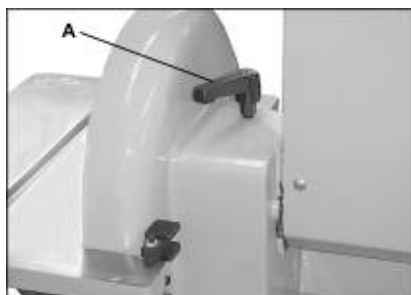


Fig 9

Der Indexierbolzen rastet in der 0°, 45° and 90° Stellung ein (Fig 10).

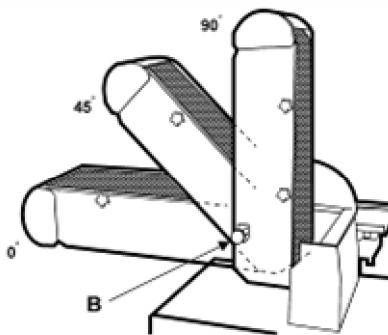


Fig 10

7.2 Schleiftisch/Anschlag Rüsten

Lockern Sie die Innensechskantschrauben (B, Fig 11). Kippen Sie den Schleiftisch in die gewünschte Lage; die Innensechskantschrauben gleiten dabei im Tischschlitz (C).



Fig 11

Die Tischeinheit kann alternativ als Schleifanschlag eingesetzt werden. Entfernen Sie dazu die Innensechskantschrauben (B, Fig 11) und die Schleifeinheit. Drehen Sie die Schwenkplatte (D, Fig 12) um 180°.

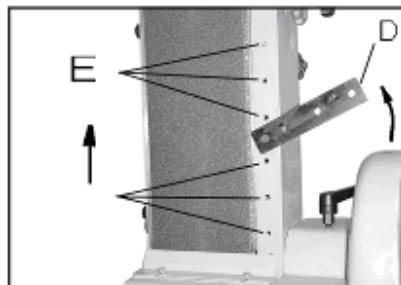


Fig 12

Montieren Sie die Schleifeinheit auf die Schwenkplatte. Die Inbusschrauben in das Lochbild (E) einsetzen und festziehen.



Fig 13

Montieren Sie den Werkstück Längsanschlag (A, Fig 13).

7.3 Schleifband Wechsel

Die Stromzufuhr durch Ziehen des Netzsteckers trennen.

Die Schleifeinheit in vertikale Stellung bringen.

Lösen Sie den Klemmgriff (A, Fig 14) und öffnen Sie die Rollenabdeckung (B).

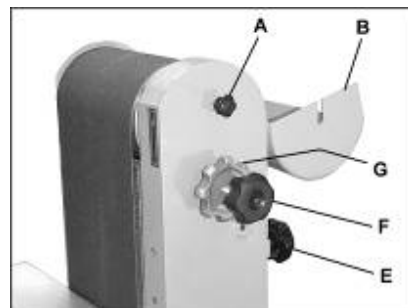


Fig 14

Entfernen Sie die Seitenabdeckung (C, Fig 15).

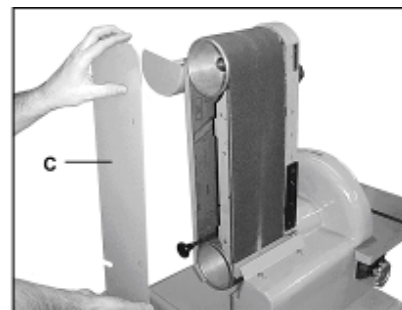


Fig 15

Mittels Klemmgriff (E, Fig 14) die Bandspannung lösen.

Schleifband vorsichtig entnehmen.
Neues Schleifband auflegen, dabei auf angegebene Bandlaufrichtung achten.
Schleifband spannen.

Die Schutzabdeckungen wieder schließen.

Hinweis: Schleifbänder dehnen sich im Betrieb, eine Nachjustierung des Bandlaufes kann erforderlich sein.

7.4 Bandlauf Einstellung

Die Stromzufuhr durch Ziehen des Netzsteckers trennen.

Schleifband von Hand in Laufrichtung bewegen.
Das Schleifband soll mittig auf den Rollen laufen.

Lösen Sie die Bandlaufklemmung (G, Fig 14).

Der Bandlauf lässt sich nun mit der Feineinstellschraube (F, Fig 14) korrigieren.

Falls der Bandlauf nach links tendiert bewegen Sie die Feineinstellschraube im Uhrzeigersinn.... und umgekehrt.

Die Bandlaufklemmung wieder festziehen.

Den Motor mehrfach kurzzeitig starten und den Bandlauf kontrollieren.

7.5 Tellerschleifpapier Wechsel

Die Stromzufuhr durch Ziehen des Netzsteckers trennen.

Entfernen Sie den Tellerschleiftisch.

Die Abdeckung entfernen.

Das alte Tellerschleifpapier entfernen.

Der Schleifteller muss sauber sein bevor Sie das neue Tellerschleifpapier aufbringen.

8. Wartung und Inspektion

Allgemeine Hinweise

Vor Wartungs- Reinigungs- und Reparaturarbeiten muss die Maschine gegen Inbetriebnahme gesichert werden.

Netzstecker ziehen!

Überprüfen Sie das Tellerschleifpapier und das Schleifband regelmäßig auf Fehler.

Tauschen Sie ein schadhaftes Schleifmittel sofort aus

Reinigen Sie die Maschine in regelmäßigen Zeitabständen.

Prüfen Sie täglich die ausreichende Funktion der Absaugung.

Beschädigte Sicherheitseinrichtungen sofort ersetzen.

Anschlüsse und Reparaturen der elektrischen Ausrüstung dürfen nur von einer Elektrofachkraft durchgeführt werden.

Schmierung:

Die Spannrollenführung (A, Fig 16) monatlich fetten.

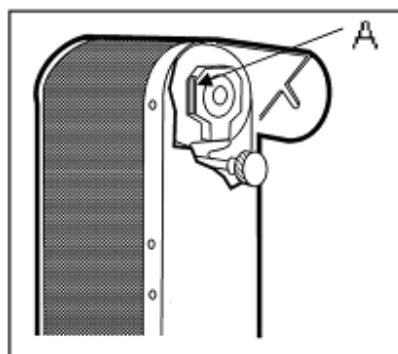


Fig 16

Die Tisch Klemmschraube (A, Fig7) und den Indexierbolzen (B, Fig 10) monatlich leicht ölen.

9. Störungsabhilfe

Motor startet nicht

*Kein Strom-
Netzsicherung prüfen.

*Motor, Schalter oder Kabel defekt-
Elektrofachkraft kontaktieren.

Schleifband rutscht durch

*Schleifband ist lose-
Schleifband nachspannen.

*Anpressdruck zu kräftig-
Werkstück beim Arbeiten bewegen.

Schleifteller stoppt

*Motorriemen lose-
Riemen nachspannen.

*Anpressdruck zu kräftig-
Werkstück beim Arbeiten bewegen.

Starke Maschinenvibrationen

*Maschine steht uneben-
Ausgleich schaffen.

Schleifband reißt wiederholt

*Band falsch aufgelegt-
Bandlaufrichtung beachten.

Schleifwinkel nicht 90°

*90° Anschlag falsch eingestellt-
Anschlag nachjustieren.

Schleifbild ist schlecht

*Werkstück wurde nicht bewegt-
Werkstück bewegen.

*Falsche Schleifband Körnung-
grobe Körnung zum Schruppen, feine
Körnung zum Schlichten.

*Anpressdruck zu hoch-
Bearbeitung nie erzwingen.

10. Lieferbares Zubehör

Für Schleifbänder und Schleifteller in unterschiedlichen Körnungen siehe die JET-Preisliste.

FR - FRANCAIS

Mode d'emploi

Cher client,

Nous vous remercions de la confiance que vous nous portez avec l'achat de votre nouvelle machine JET. Ce manuel a été préparé pour l'opérateur de la ponceuse bande et disque JET 31A. Son but, mis à part le fonctionnement de la machine, est de contribuer à la sécurité par l'application des procédés corrects d'utilisation et de maintenance. Avant de mettre l'appareil en marche, lire les consignes de sécurité et de maintenance dans leur intégralité. Pour obtenir une longévité et fiabilité maximale de votre ponceuse, et pour contribuer à l'usage sûr de la machine, veuillez lire attentivement ce mode d'emploi et suivre les instructions.

Table des Matières

1. Déclaration de conformité

2. Prestations de garantie

3. Sécurité

Utilisation conforme
Consignes de sécurité
Risques

4. Spécifications

Indications techniques
Emission du bruit
Contenu de la livraison

5. Transport et Montage

Transport et mise en place
Montage
Raccordement au réseau électr.
Racc. collecteur de poussières
Mise en exploitation

6. Fonctionnement de la machine

Ponçage vertical par bande
Ponçage horizontal par bande
Ponçage curviligne par bande
Ponçage par disque

7. Adaptations et réglages

Orientation de l'unité de ponçage
Préparation table ponçage et
buttée
Chang. bande abrasive
Réglage circuit de bande
Chang. Papier abrasif disque

8. Entretien et inspection

9. Solutions aux pannes

10. Accessoires

Déclaration de conformité

Par la présente et sous notre responsabilité exclusive, nous déclarons que ce produit satisfait aux normes* conformément aux lignes directrices indiquées page 2. Les normes ** ont été respectées à la construction.

2. Prestations de garantie

Le vendeur garantit que le produit livré est exempt de défauts de matériel et de fabrication. La présente garantie ne s'applique pas aux défauts résultant d'une utilisation directe ou indirecte incorrecte, de l'inattention, d'un accident, d'une réparation, d'une maintenance ou d'un nettoyage insuffisant, ou encore de l'usure normale.

Il est possible de faire valoir des prétentions en garantie dans les 12 mois suivant la date de la vente (date de la facture). Toute autre prétention est exclue.

La présente garantie comprend toutes les obligations de garantie incombant au vendeur et remplace toutes les déclarations et conventions antérieures en termes de garanties.

Le délai de garantie s'applique pour une durée d'exploitation de huit heures par jour. Au-delà, le délai de garantie diminue proportionnellement au dépassement, mais pas en deçà de trois mois.

Le renvoi d'une marchandise faisant l'objet d'une réclamation requiert l'accord préalable exprès du vendeur et s'effectue aux frais et aux risques de l'acheteur.

Les prestations de garantie détaillées figurent dans les Conditions générales (CG). Ces dernières sont disponibles sur www.jettools.com ou peuvent être envoyées par la poste sur demande.

Le vendeur se réserve le droit de modifier à tout moment le produit et les accessoires.

3. Sécurité

3.1 Utilisation conforme

Cette ponceuse bande et disque convient au ponçage du bois et des dérivés du bois. Le ponçage d'autres matériaux est interdit et ne peut être effectué que dans des cas spéciaux et après accord du fabricant de la machine.

La machine n'est pas conçue pour un ponçage à l'eau.

L'utilisation conforme implique le strict respect des instructions de service et de maintenance indiquées dans ce manuel.

La machine doit être exclusivement utilisée par des personnes familiarisées avec le fonctionnement et la maintenance, et qui sont informées des dangers correspondants.

L'âge minimum requis par la loi est à respecter.

Toutes les directives relatives à la prévention des accidents, les consignes de sécurité contenues dans le mode d'emploi, ainsi que celles en vigueur dans votre pays et en général celles se rapportant aux machines à bois, doivent être scrupuleusement respectées.

En cas d'utilisation non-conforme de

la machine, le fabricant décline toute

responsabilité, celle-ci est rejetée

exclusivement sur l'utilisateur.

3.2 Consignes de sécurité

L'utilisation non-conforme d'une ponceuse peut être très dangereuse. C'est pourquoi vous devez lire attentivement et comprendre tout le mode d'emploi avant de monter ou d'utiliser votre appareil.

Conserver à proximité de la machine tous les documents fournis avec l'outillage (dans une pochette en plastique, à l'abri de la poussière, de l'huile et de l'humidité) et veiller à joindre cette documentation si vous cédez l'appareil.

Ne pas effectuer de modification à la

machine. Utiliser les accessoires

recommandés, des accessoires

incorrects peuvent être dangereux.

Contrôler chaque jour avant d'utiliser la machine les dispositifs de protection et le fonctionnement impeccable.

En cas de défauts à la machine ou aux dispositifs de protection avertir les personnes compétentes et ne pas utiliser la machine. Déconnecter la machine du réseau.

Avant de mettre la machine en marche, retirer cravate, bagues, montres ou autres bijoux et retrousser les manches jusqu'aux coudes. Enlever tout vêtement flottant et nouer les cheveux longs.

Porter des chaussures de sécurité, surtout pas de tenue de loisirs ou de sandales.

Porter équipement de sécurité personnel pour travailler à la machine.

Ne pas porter de gants.

Placer la machine de sorte à laisser un espace suffisant pour la manœuvre et le guidage des pièces à usiner.

Veiller à un éclairage suffisant.

Placer la machine sur un sol stable et

plat.

S'assurer que le câble d'alimentation ne gêne pas le travail, ni risque de faire trébucher l'opérateur.

Conserver le sol autour de la machine propre, sans déchets, huile ou graisse.

Ne jamais mettre la main dans la machine en marche.

Prêter grande attention à votre travail et rester concentré.

Ne pas travailler sous l'influence de drogues, d'alcool ou de médicaments.

Eloigner de la machine toutes personnes incompetentes surtout les enfants.

Ne jamais laisser la machine en marche sans surveillance.

Arrêter la machine avant de quitter la zone de travail.

Ne pas mettre la machine à proximité de liquides ou de gaz inflammables. Respecter les moyens de détection et de lutte contre les incendies, par ex. localisation et usages des extincteurs.

Préserver la machine de l'humidité et ne jamais l'exposer à la pluie.

Utiliser un collecteur de poussières afin d'éviter une production de poussières trop élevée.

La poussière de bois est explosive et peut être nocive pour la santé.

Les poussières de certains bois exotiques et de bois durs, tel que le hêtre et le chêne sont classées comme étant cancérigènes.

Retirer les clous et autres corps étrangers de la pièce avant de débiter l'usinage.

Ne jamais travailler à la machine sans insertion de table.

Bien tenir et guider toutes les pièces à usiner.

N'usiner que des pièces qui se laissent bien placer sur la table.

Se tenir aux spécifications concernant la dimension maximale ou minimale de la pièce à usiner.

Ne pas enlever les copeaux et les pièces usinées avant que la machine ne soit à l'arrêt.

Ne pas monter sur la machine.

Tous travaux de branchement et de réparation sur l'installation électrique doivent être exécutés uniquement par un électricien qualifié.

Remplacer immédiatement tout câble endommagé ou usé.

Faire tous les travaux de réglage, de nettoyage et de maintenance seulement après avoir débranché la machine du réseau.

Remplacer immédiatement tout bande abrasif déchiré ou usé.

3.3 Risques

Même en respectant les directives et les consignes de sécurité, les risques suivants existent.

Risques de blessures par course libre de la bande, resp. du disque abrasif.

Danger de contrecoup, La pièce se fait accrocher par la bande resp. le disque abrasif en course libre et est rejetée contre l'utilisateur.

Danger par les pièces éjectées.

Nuisance par le bruit, la poussière. Porter absolument un équipement de sécurité personnel tel que lunettes, protège-oreilles et masque à poussière pour travailler à la machine. Mettre en place un collecteur de poussières!

Danger par bande resp. disque abrasif endommagé

Danger par câble électrique endommagé, usé ou mal branché.

4. Spécifications JET 31 A

4.1 Données techniques

Bande abrasive l xL 150x1220mm
Table ponc. bande l xL 190x330mm
Inclinaison de table -45° à 0°
Vitesse de bande 11.5m/sec

Diam. disque abrasif 300mm
Table d'assise l xL 230x420mm
Inclinaison -45° à +15°
Nombre rotations disque 2270 t/min

Diam. évacuation poussière 100 mm
Vol. air aspiré par 20m/s 560 m³/h

Dim. Machine Lxlxh 830x700x1400mm
Poids net 124 kg

Voltage 230V ~1/N/PE 50Hz
Puissance 1,1 kW (1,5CV) S1
Courant électrique 7A
Raccordement (H07RN-F)3x1,5mm²
Fusible du secteur élect. 16A

4.2 Emission du bruit

Niveau de pression sonore (selon EN 11202):
Marche à vide 71,9 dB (A)
Usinage 84,1 dB (A)

Les indications données sont des niveaux de bruit et ne sont pas forcément ceux atteints pour un travail sûr.

Ainsi l'utilisateur doit estimer les dangers et les risques possibles.

4.3 Contenu de la livraison

Socle de la machine avec moteur
Bande abrasive, grain 60
Papier abrasif du disque, grain 60
2 tables de ponçage
Guide d'onglet
Instruments de commande
Accessoires de montage
Mode d'emploi
Liste pièces de rechange

5. Transport et mise en exploitation

5.1. Transport et mise en place

Pour le transport, utiliser un chariot à fourches ou un élévateur de commerce. Sécuriser la machine contre les accidents.

Effectuer le montage de la machine dans un local fermé ou un atelier respectant les conditions de menuiserie.

La surface portante doit être suffisamment stable et plane. Au besoin fixer la machine sur la surface portante.

Pour des raisons techniques d'emballage la machine n'est pas complètement montée à la livraison.

5.2 Montage

Déballer tout le contenu de la caisse. Avertir JET immédiatement si vous constatez des pièces endommagées par le transport et ne monter pas la machine.

Eliminer l'emballage en respectant l'environnement.

Enlever la protection antirouille avec un dissolvant doux.

Monter la ponceuse sur le socle et la fixer avec 4 vis, 4 rondelles plates et 4 rondelles élastiques ondulées (A, fig 1)

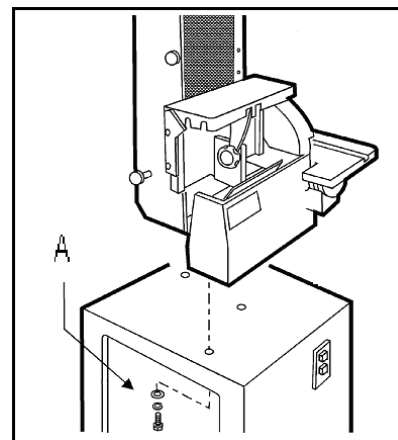


Fig 1

Poser la courroie d'entraînement (C, fig 2)

Tendre la courroie en ajustant l'écrou (F, fig 2)

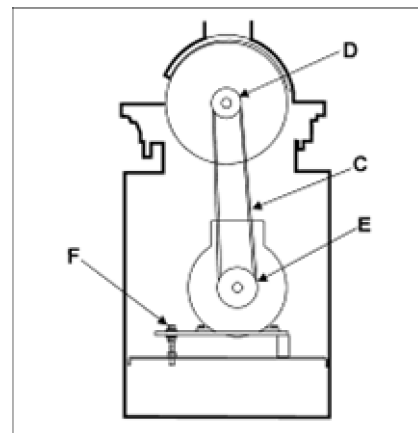


Fig 2

Fermer et sécuriser la porte du socle.

5.3 Raccordement au réseau électr.

Le raccordement ainsi que les rallonges utilisées doivent correspondre au règlement. Le voltage et la fréquence doivent être conforme aux données inscrites sur la machine.

Le fusible du secteur électrique doit avoir 16A.

N'utiliser pour le raccordement que des câbles H07RN-F.

Tous travaux de branchement et de réparation sur l'installation électrique doivent être exécutés uniquement par un électricien qualifié.

5.4 Racc. collecteur de poussières

Avant la mise en exploitation connecter la machine à un collecteur de poussières de manière à ce que le collecteur se mette en marche automatiquement avec votre ponceuse.

Vitesse minimale de l'aspiration 20 m/s à l'entonnoir de 100 mm.

N'utiliser que des tuyaux d'aspiration de la qualité „difficilement inflammable“ et intégrer les tuyaux dans la mise à terre de la machine.

5.5 Mise en exploitation

Mettre la machine en route avec le bouton vert. Arrêter la machine avec le bouton rouge.

6. Fonctionnement de la machine

Faire glisser la pièce à usiner sur la table en n' écartant pas les doigts et en la menant du plat de la main.

Ne pas toucher le dessous de la table.

Garder toujours suffisamment de distance à la bande abrasive, resp. au disque abrasif pendant le travail.

Pour les formes compliquées, créer un gabarit pour un travail exact et sûr.

Poser les pièces longues sur un support à rouleaux

Pour un ponçage en biais, incliner les tables de la machine. Ajuster une distance de 2 mm entre le papier abrasif et le bord de la table.

6.1 Ponçage vertical par bande

Pour ce ponçage, monter le dispositif de table en table de ponçage. (fig.3)

L'angle de la table peut être réglé entre 90°et 45°.

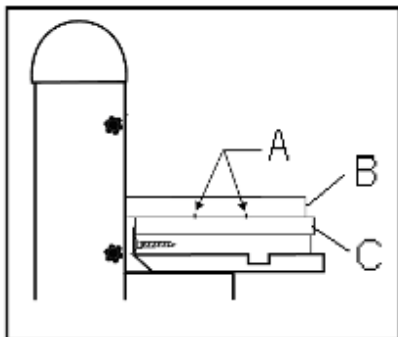


Fig 3

Pour les ponçages au gabarit, la pièce à usiner (B, fig 3) est fixée sur le gabarit (C) avec des clous (A).

6.2 Ponçage horizontal par bande

Pour le ponçage horizontal, le dispositif de table sert de butée (voir chapitre 7.2)

La butée peut être réglée de 90° à 45°

La butée en longueur (A, fig 4) doit être montée pour arrêter la pièce à usiner.



Fig 4

Pour un ponçage tendu en biais, la butée peut être disposée en travers de la bande abrasive (fig. 5) .



Fig 5

6.3 Ponçage curviligne par bande

Rabattre sur l'arrière le capot de protection du rouleau de la bande abrasive (fig 6)



Fig 6

Attention :

A la fin du travail, remettre aussitôt le capot en place.

6.4 Ponçage par disque

L'angle de la table peut être positionné entre 15° vers le haut et 45° vers le bas.

La butée réglée à 45° (C, fig7) se trouve sous la table.

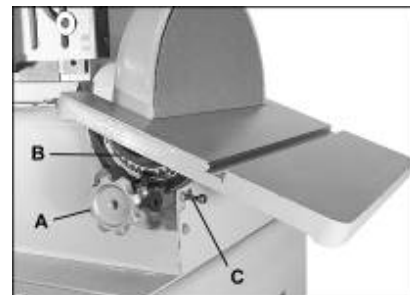


Fig 7

La butée réglée à 0° (F, fig 8) au bord arrière de la table doit être pivotée pour basculer.

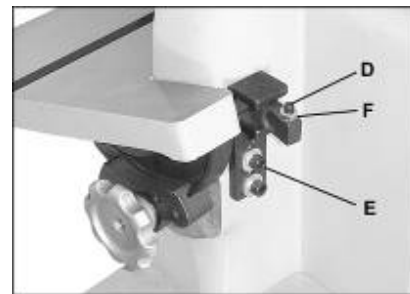


Fig 8

7. Adaptations et Réglages

Attention

Faire tous les travaux d'adaptation ou de réglage après avoir déconnecté la machine du réseau.

7.1 Orientation unité de ponçage

Desserrer la manette indicatrice (A, fig 9). Tirer sur le boulon d'index (B, fig 10) en faisant pivoter l'unité de ponçage dans la position souhaitée.

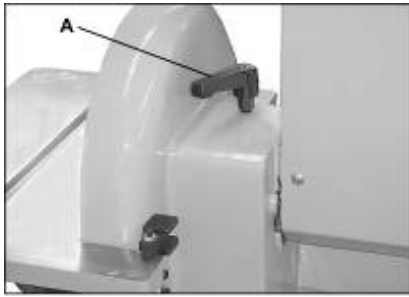


Fig 9

Le boulon d'index s'enclenche dans les positions : 0°, 45° et 90° (fig10).

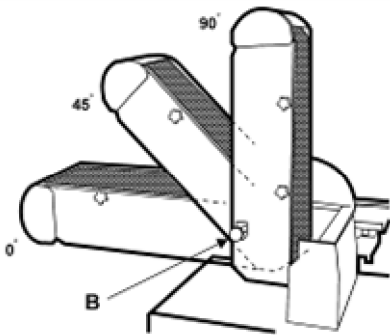


Fig 10

7.2 Préparation table et butée.

Desserrer les vis à 6 pans creux (B, fig 11), basculer la table de ponçage dans la position souhaitée, les vis à 6 pans creux glissent dans la rainure de la table (C) .



Fig 11

Le dispositif de table peut aussi être utilisé comme butée. Pour cela retirer les vis à 6 pans creux (B, fig 11) ainsi que l'unité de ponçage. Tourner le plateau pivotant (D, fig 12) à 180°

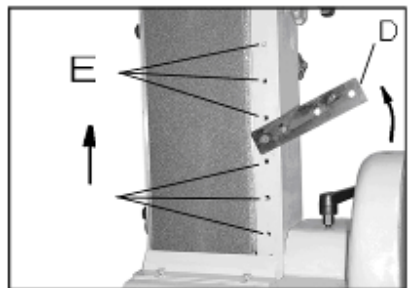


Fig 12

Monter l'unité de ponçage sur le tableau pivotant.
Poser et visser les vis à 6 pans creux dans les emplacements (E).

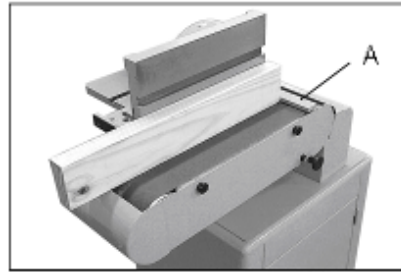


Fig 13

Placer la pièce à usiner longitudinalement contre la butée (A, fig 13)

7.3 Changement de bande abrasive

Déconnecter la machine du réseau

Mettre l'unité de ponçage en position verticale.

Débloquer la manette de serrage (A, fig 14) et ouvrir le capot du rouleau (B).

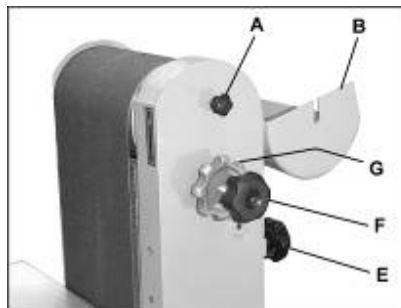


Fig 14

Retirer les panneaux latéraux (C, fig 15).

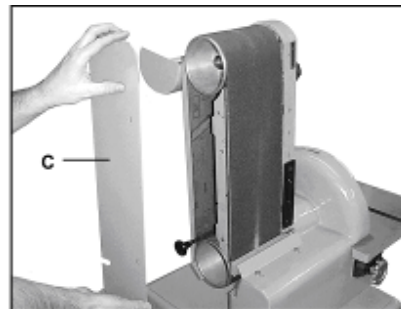


Fig 15

Relâcher la tension de la bande au moyen de la manette de serrage (E, fig 14).

Retirer avec précaution la bande usée. Poser la nouvelle bande en respectant le sens indiqué. Tendre la bande.

Remonter les panneaux latéraux.

Remarque : Comme les bandes abrasives se détendent en fonctionnant, il se peut qu'un ajustage ultérieur soit nécessaire.

7.4 Réglage du circuit de la bande

Déconnecter la machine du réseau.

Tirer la bande à la main dans le sens du mouvement, la bande abrasive doit se trouver au centre du rouleau.

Desserrer le blocage du circuit de la bande (G, Fig 14).

Corriger le circuit de la bande avec la vis de micro-réglage (F, Fig 14).

Si le circuit de bande a tendance à tirer sur la gauche, tourner la vis de micro-réglage dans le sens des aiguilles d'une montre et vice versa.

Resserrer le blocage de circuit de bande.

Mettre plusieurs fois le moteur en marche par à-coups et vérifier le circuit de la bande.

7.5 Chang. papier abrasif du disque

Déconnecter la machine du réseau.

Retirer le disque.

Enlever les protections.

Retirer le papier abrasif usé.

Le nouveau papier abrasif doit être posé sur le disque très propre.

8. Entretien et inspection

Attention

Faire tous les travaux d'adaptations de réglage ou nettoyage après avoir débranché la machine du réseau!

Contrôler régulièrement le bon état de la bande abrasive et du papier abrasif du disque.

Remplacer immédiatement tous les abrasifs déchirés ou usés.

Nettoyer la machine régulièrement.

Vérifier chaque jour le fonctionnement impeccable du dispositif d'aspiration des poussières.

Remplacer immédiatement les dispositifs de protection endommagés.

Tous travaux de branchement et de réparation sur l'installation électrique doivent être exécutés uniquement par un électricien qualifié.

Graissage :

Graisser une fois par mois les guides des enrouleurs (A, fig 16)

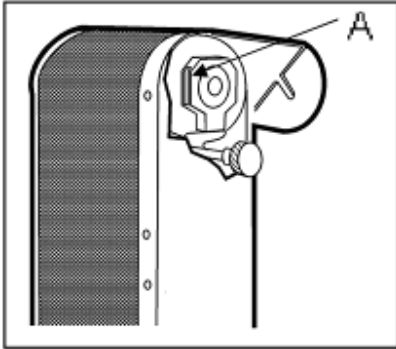


Fig 16

Huiler légèrement, une fois par mois, les boulons de serrage de la table (A, fig 7) et les boulons d'index (B, fig 10).

9. Solutions aux pannes

Moteur ne se met pas en route

*Pas de courant-

Vérifier les fusibles.

*Défaut au moteur, à l' interrupteur ou au câble-

Contacteur un électricien qualifié.

Bande abrasive patine

*Bande abrasive trop lâche-

Retendre la bande.

*Trop de pression sur la pièce-

Bouger la pièce à usiner en travaillant.

Le disque s'arrête

*Courroie du moteur trop lâche-

Retendre la courroie

*Pression trop forte sur pièce à usiner-

Bouger la pièce en travaillant.

Vibration violente de la machine

*La machine n'est pas sur un sol plat-

Repositionner la machine.

Bande se déchire plusieurs fois

*Mauvais montage de la bande-

Vérifier le sens de la bande.

Equerre de ponçage pas 90°

*Angle de ponçage 90° mal réglé-

Ajuster la butée.

Résultat de ponçage

insuffisant

*Pièce à usiner est restée immobile-

Bouger la pièce en travaillant.

*Grain de bande non adapté-
Grain gros pour rifler, grain fin pour polir.

*Trop de pression sur la pièce-
Ne jamais forcer le façonnage.

10. Accessoires

Pour les bandes abrasives et les disques abrasifs de grains divers, voir la liste de prix JET.