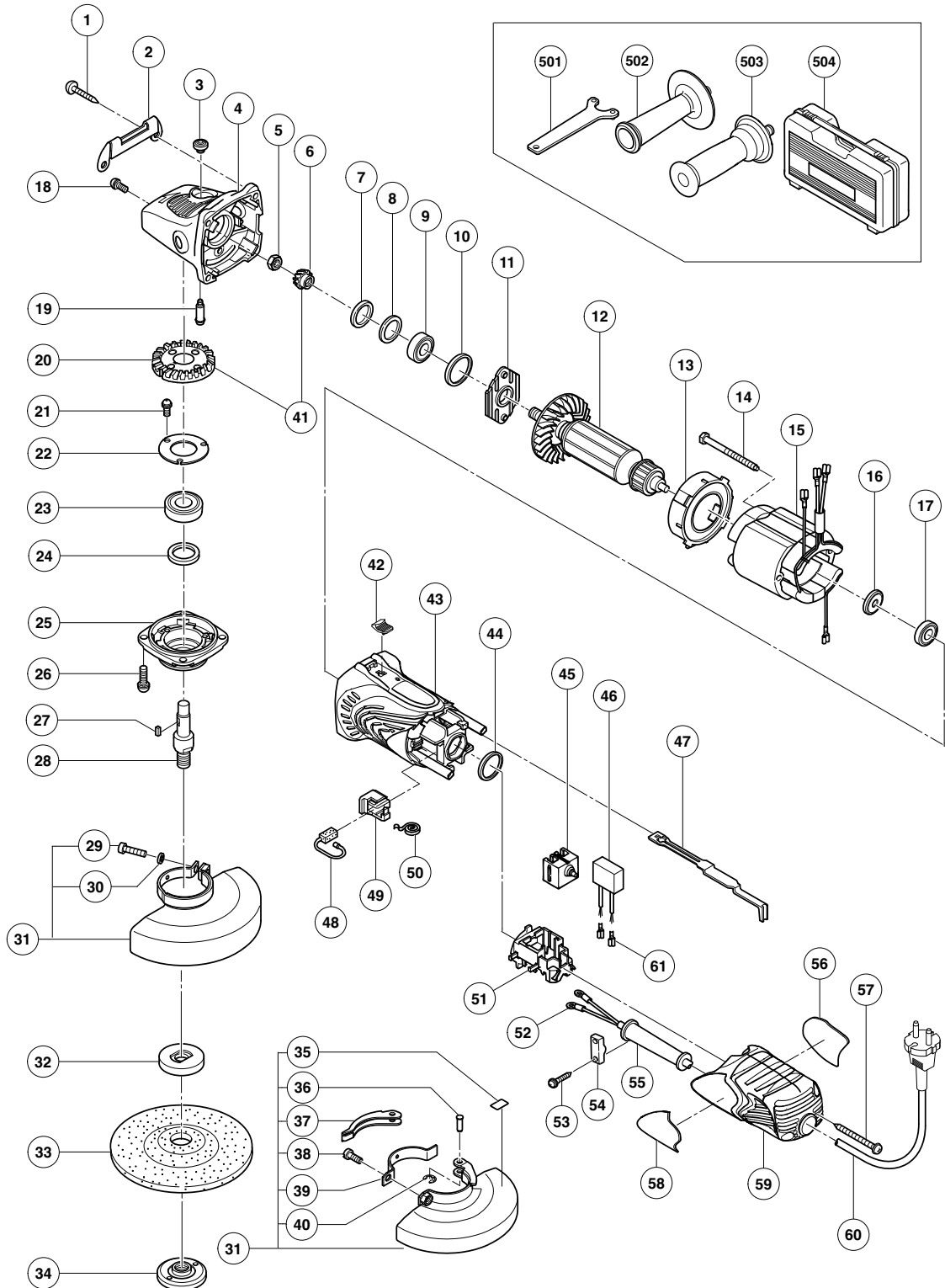


## ELECTRIC TOOL PARTS LIST

**DISC GRINDER**  
**Model G 13SB3**

**2005 · 12 · 23**  
**(E1)**



## PARTS

G 13SB3

ITEM NO.	CODE NO.	DESCRIPTION	NO. USED	REMARKS
1	320-523	TAPPING SCREW D5X25 (BLACK)	4	
2	325-053	GUARD PLATE	1	
3	301-944	PUSHING BUTTON	1	
4	321-737	GEAR COVER ASS'Y	1	INCLUD. 3, 19
5	949-558	NUT M8 (10 PCS.)	1	
6	308-541	PINION	1	
7	308-543	SEAL RING (A)	1	
8	980-866	WASHER (C)	1	
9	629-T12	BALL BEARING 629T12DDC3PS2-L	1	
10	957-754	RUBBER RING	1	
11	321-734	BEARING COVER	1	
* 12	360-743C	ARMATURE 110V	1	
* 12	360-734U	ARMATURE ASS'Y 120V	1	INCLUD. 9, 16, 17
* 12	360-734E	ARMATURE 230V-240V	1	
13	321-732	FAN GUIDE	1	
14	982-021	HEX. HD. TAPPING SCREW D4X70	2	
* 15	340-645C	STATOR 110V	1	
* 15	340-645D	STATOR 120V	1	
* 15	340-645E	STATOR 230V	1	
* 15	340-645F	STATOR 240V	1	
16	315-877	DUST SEAL	1	
17	608-VVM	BALL BEARING 608VVC2PS2L	1	
18	303-255	SEAL LOCK SCREW (W/SP. WASHER) M4X10	2	
19	301-943	LOCK PIN	1	
20	321-736	GEAR	1	
21	991-207	SEAL LOCK SCREW (W/SP. WASHER) M4X8	3	
22	936-680	BEARING COVER (B)	1	
23	620-1DD	BALL BEARING 6201DDCMPS2L	1	
24	308-546	FELT PACKING	1	
25	308-545	PACKING GLAND	1	
26	307-046	SEAL LOCK SCREW (W/SP. WASHER) M5X16	4	
27	944-109	FEATHER KEY 3X3X8	1	
* 28	994-301	SPINDLE (A)	1	
* 28	994-302	SPINDLE (B)	1	FOR USA, CAN
* 29	949-241	MACHINE SCREW M5X20 (10 PCS.)	1	
* 30	949-454	SPRING WASHER M5 (10 PCS.)	1	
* 31	320-192	WHEEL GUARD ASS'Y	1	INCLUD. 29, 30
* 31	311-742	WHEEL GUARD ASS'Y	1	INCLUD. 35-40 FOR ITA, FRG, BEL, FRA, ESP, HOL
* 32	937-817Z	WHEEL WASHER	1	
* 32	937-928Z	WHEEL WASHER (A) FOR D16 HOLE	1	FOR USA, CAN
33	316-822	D. C. WHEELS 125MM A36Q (25 PCS.)	1	
* 34	994-324	WHEEL NUT M14	1	
* 34	937-923P	WHEEL NUT 5/8"-11UNC	1	FOR USA, CAN
* 35	311-492	LABEL	1	FOR ITA, FRG, BEL, FRA, ESP, HOL
* 36	311-744	SET PIN	1	FOR ITA, FRG, BEL, FRA, ESP, HOL
* 37	311-743	LEVER	1	FOR ITA, FRG, BEL, FRA, ESP, HOL
* 38	880-734	MACHINE SCREW (W/WASHERS) M5X25 (BLACK)	1	FOR ITA, FRG, BEL, FRA, ESP, HOL
* 39	311-491	SET PIECE (B)	1	FOR ITA, FRG, BEL, FRA, ESP, HOL
* 40	874-759	RETAINING RING (E-TYPE) FOR D2.5 SHAFT	1	FOR ITA, FRG, BEL, FRA, ESP, HOL
41	321-735	GEAR AND PINION ASS'Y	1	INCLUD. 6, 20
42	314-428	SLIDE KNOB	1	



