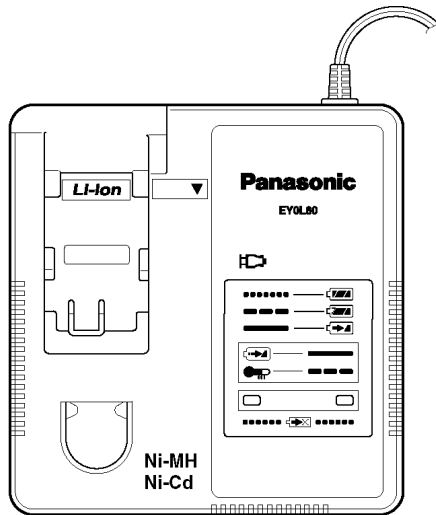


Service Manual

Battery charger

EY0L80-X8



SPECIFICATIONS

Input	220-240V AC, 50-60Hz
Output	8...34V, 3.75A
Power consumption	Max. 95W
Weight	0.95 kg (2.1lbs.)

⚠ WARNING

This service information is designed for experienced repair technicians only and is not designed for use by the general public. It does not contain warnings or cautions to advise non-technical individuals of potential dangers in attempting to service a product. Products powered by electricity should be serviced or repaired only by experienced professional technicians. Any attempt to service or repair the product or products dealt with in this service information by anyone else could result in serious injury or death.

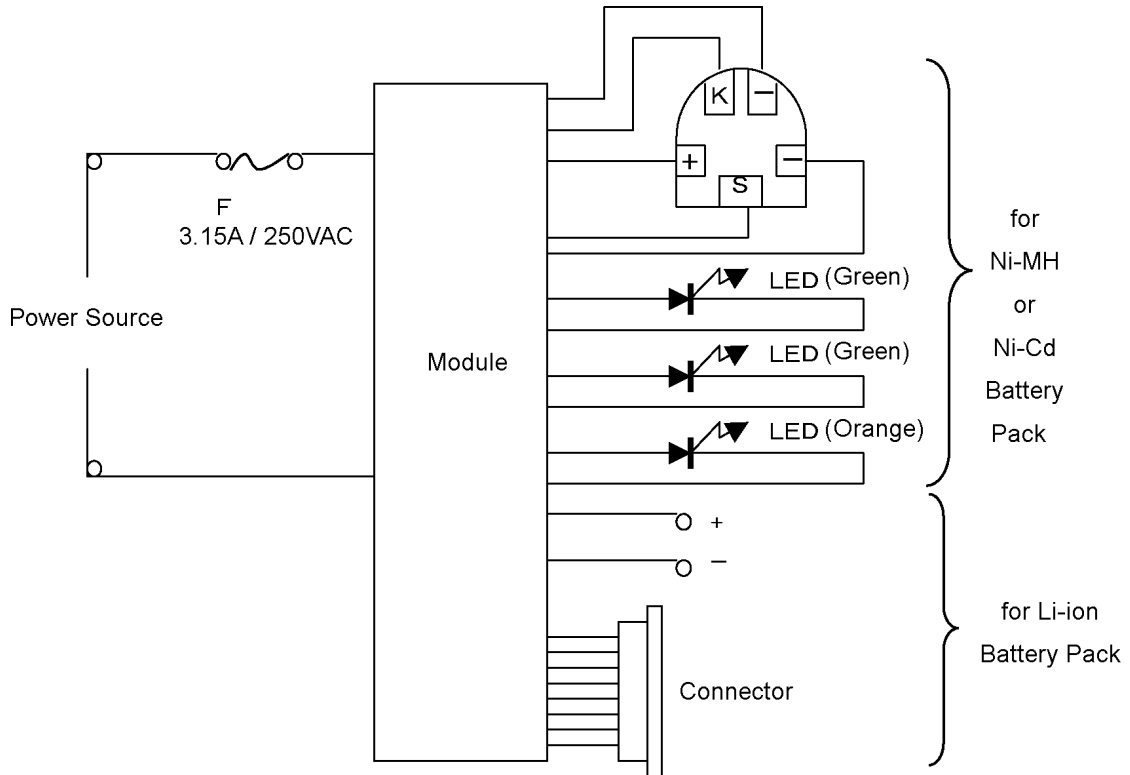
CONTENTS

	Page		Page
1 SCHEMATIC DIAGRAM	2	5 CHARGING TIME	5
2 WIRING CONNECTION DIAGRAM	2	6 EXPLODED VIEW	6
3 TROUBLESHOOTING GUIDE	3	7 REPLACEMENT PARTS LIST	6
4 CAUTION IN ASSEMBLY	4		

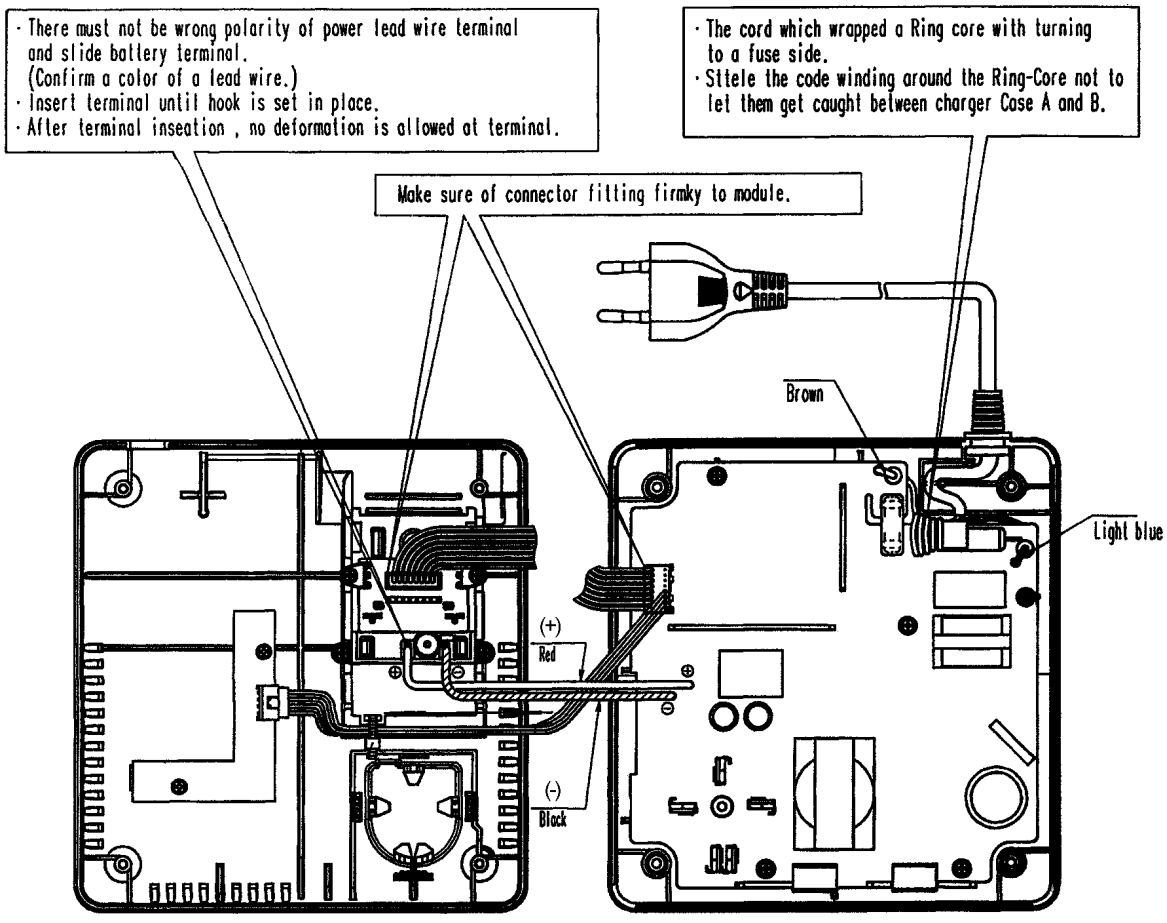
Panasonic

© 2006 Matsushita Electric Works Ltd. All rights reserved. Unauthorized copying and distribution is a violation of law.

1 SCHEMATIC DIAGRAM



2 WIRING CONNECTION DIAGRAM

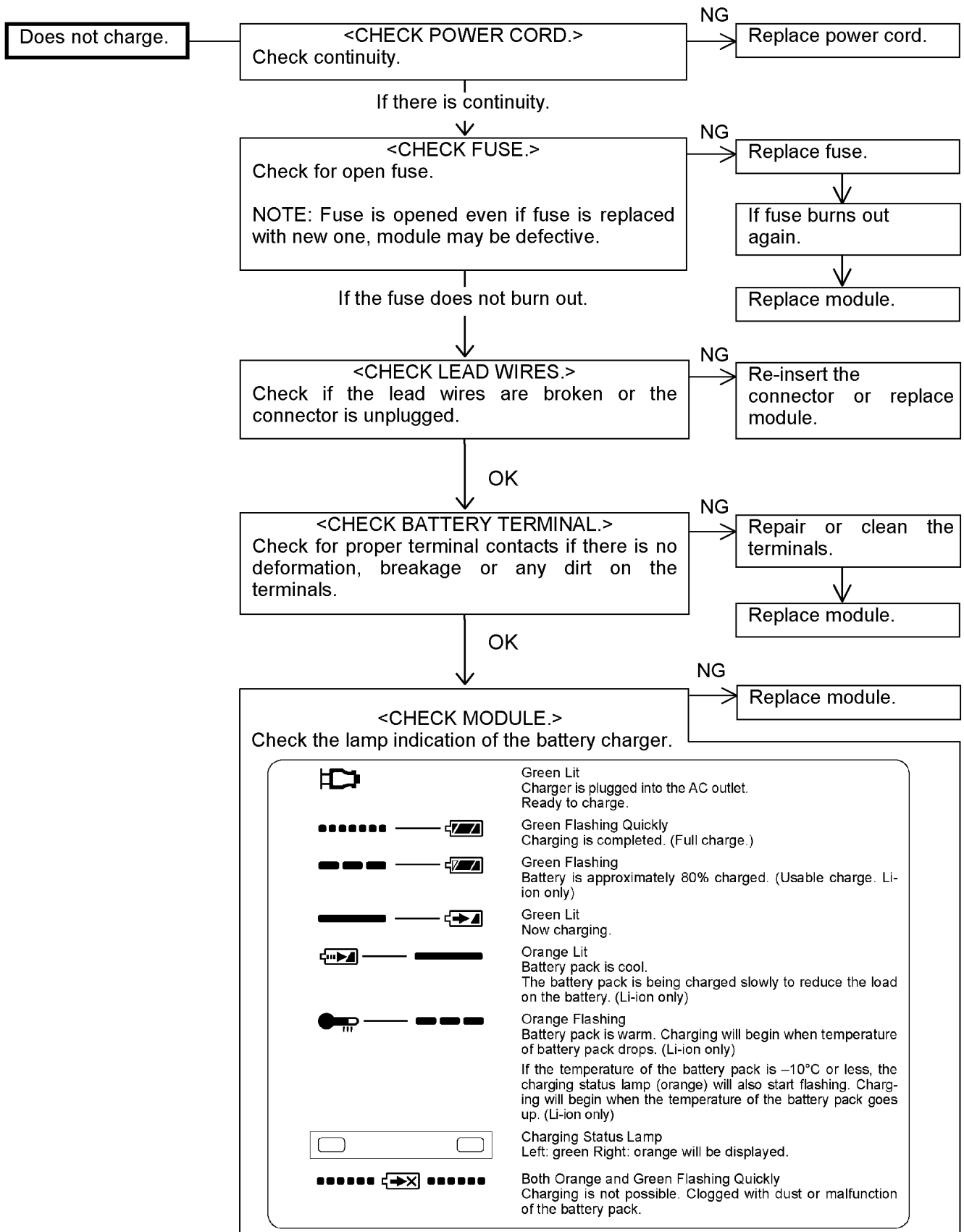


3 TROUBLESHOOTING GUIDE

< TROUBLE >

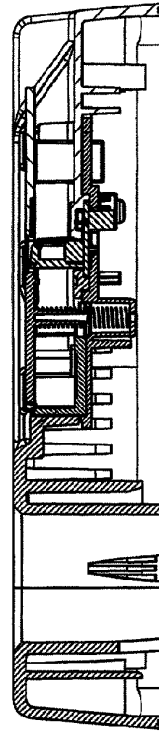
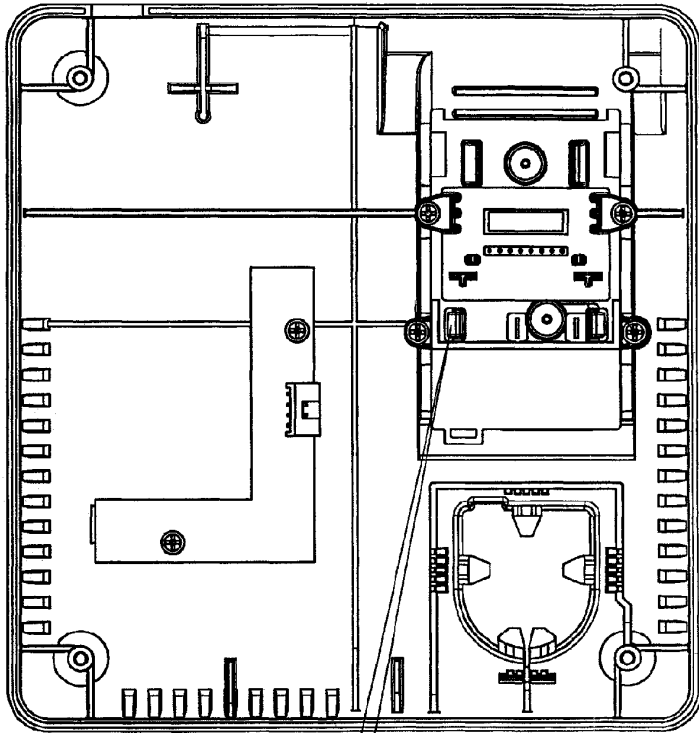
< CHECK >

< REMEDY >



4 CAUTION IN ASSEMBLY

Pay attention not to attach rib when install LED module in charger case A.



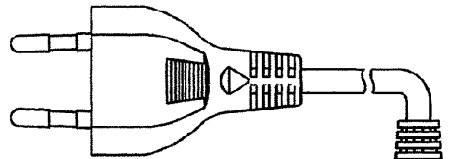
- There must be looseness between connector module and charger case A.
- Connector module must have looseness, after terminal base is assembled.

Terminal cover spring must be built in two places.

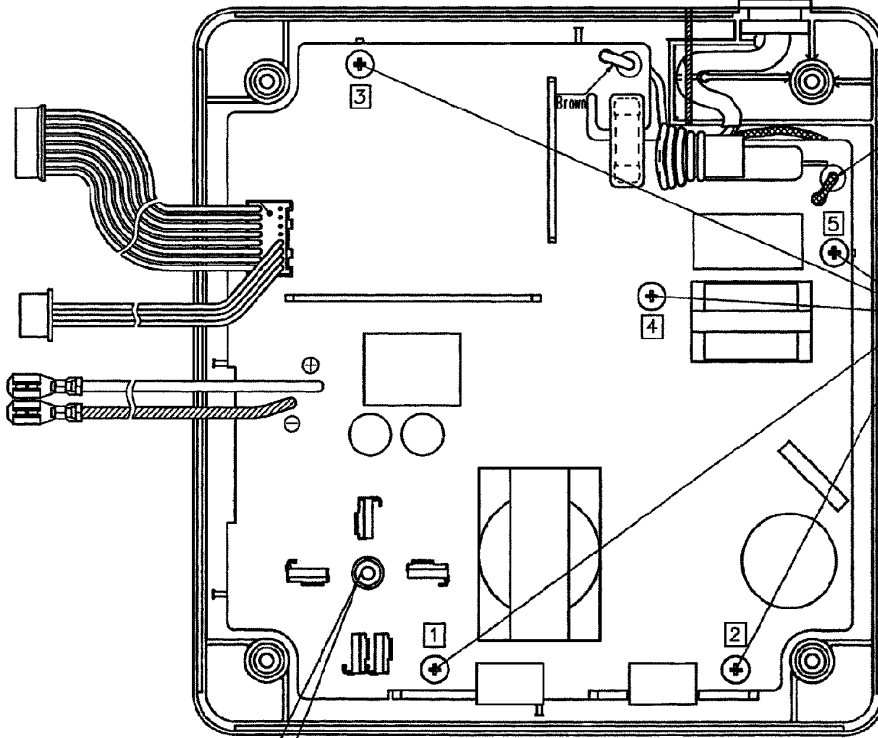
- There must be looseness between slide battery terminal and charger case A.
- Slide battery terminal must have looseness, after terminal base is assembled.

Four hooks must hang surely in charger case A.

Harness make sure of connector fitting firmly to module.



- Make sure of code bush fitting.
- Not to let cord twist.



Light Blue

Screw

- Screw fastening torque (5 points)
- Tighten in order of [1]~[5].

Adjust changing module to this boss in charger case B and fit it.

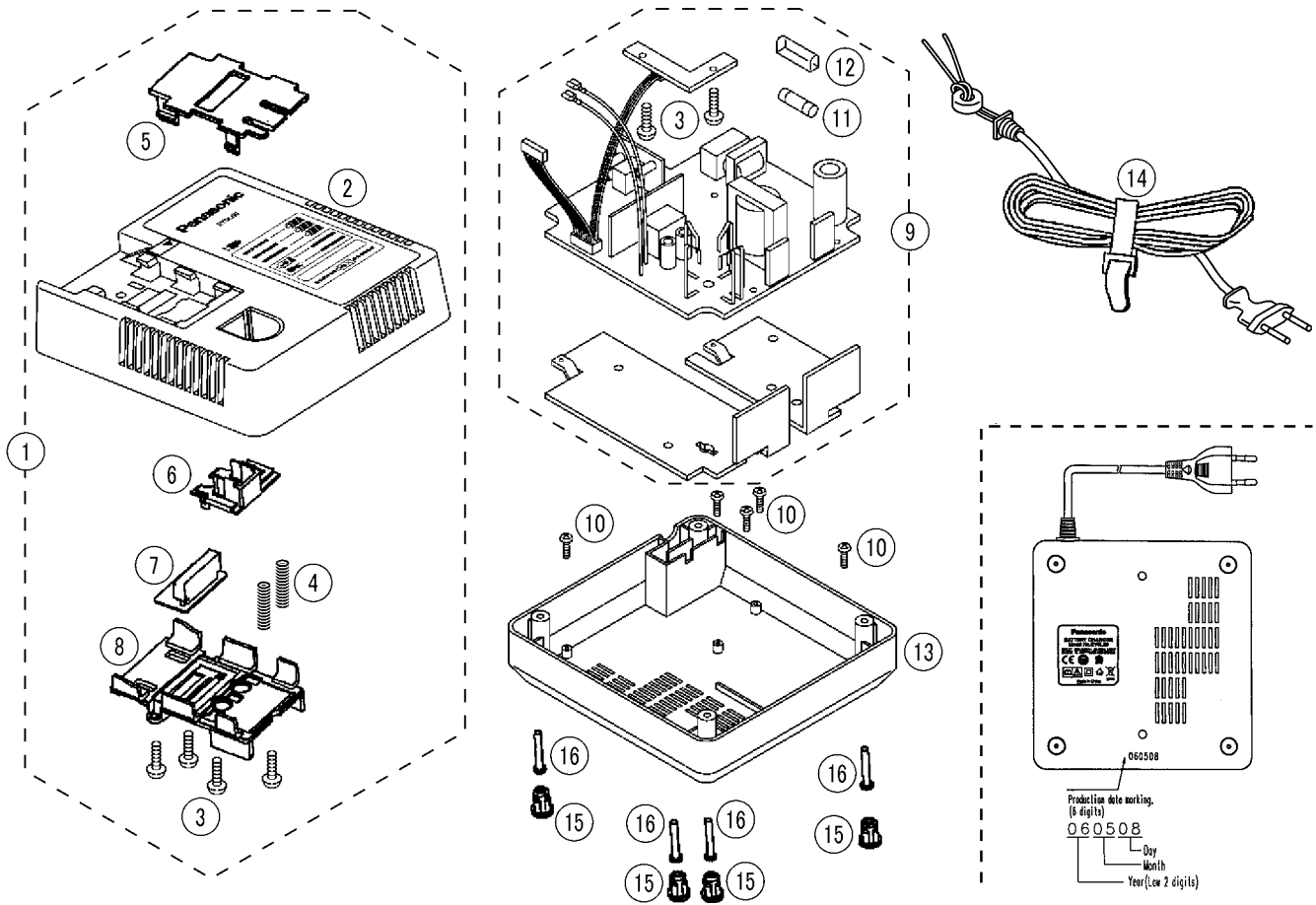
- Not to forget fitting Hook spring.
- Insert jig into hole of convex from side, to the center of ports as far as it goes while opening spring.
- No clearance among FET-Diode and Heat sink.

5 CHARGING TIME

	7.2V	9.6V	12V	15.6V	18V	24V	14.4V
1.2Ah	EY9065 EY9066	EY9080 EY9086	EY9001				
	20 min.						
1.7Ah		EY9180 EY9182	EY9101 EY9103				
	25 min.						
2.0Ah	EY9168	EY9188	EY9106 EY9107 EY9108	EY9136		EY9116 EY9117	
	30 min.					60 min.	
3.0Ah			EY9200	EY9230		EY9210	EY9L40
	45 min.					90 min.	50min
3.5Ah			EY9201	EY9231	EY9251		
	55 min.				65 min.		

NOTE: This chart may include models that are not available in your area.

6 EXPLODED VIEW



7 REPLACEMENT PARTS LIST

NOTE:

*B=only available as set

*C=available individually

Ref.No.	Part No.	Part Name & Description	Remarks	Per Unit
1	WEYOL80K4158	HOUSING A ASSEMBLY		1
2	WEYOL80K3098	HOUSING A		1
3	WEYOL80L9048	TAPPING SCREW	*C K3-8	6
4	WEYOL80L0928	SPRING	*B (2PCS/PK)	2
5	WEYOL80K2408	SLIDE PLATE		1
6	WEYOL80L2428	BATTERY TERMINAL		1
7	WEYOL80L2128	CONNECTOR MODULE		1
8	WEYOL80L3168	SLIDE TERMINAL COVER		1
9	WEYOL80L2109	MODULE		1
10	WEY6230L6017	TAPPING SCREW	*C 2.6 x 8	5
11	WEYOL80L2618	FUSE	250V 3.15A	1
12	WEYOL80A3108	FUSE COVER		1
13	WEYOL80K3029	HOUSING B		1
13	WEYOL80K3020	HOUSING B		1
14	WEYOL80K2059	POWER CORD	C-2 PLUG	1
14	WEYOL80K2050	POWER CORD	S-3 PLUG	1
14	WEYOL80K2051	POWER CORD	O PLUG	1
15	WEYOL80K3178	SCREW CAP	*B (4PCS/PK)	4
16	WEY0217K6237	TORX TAPPING SCREW	*C K3-20	4
-	WEYOL80K8008	INDIVIDUAL BOX		(SH) 1
-	WEYOL80K8109	OPERATING INSTRUCTIONS		(SH) 1