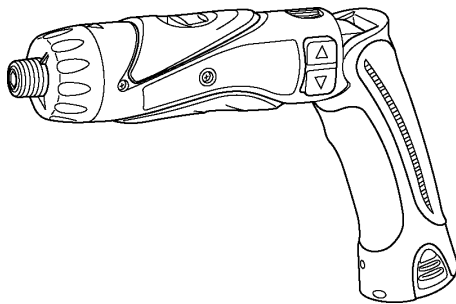


# Service Manual

Cordless Drill & Driver

EY7410-X8



Please file and use this manual together with the service manual for Model No. EY6225, Order No. MEW/PTD 9902-62252.

## SPECIFICATIONS

### MAIN UNIT

|                            |               |               |                                  |
|----------------------------|---------------|---------------|----------------------------------|
| Capacity                   | Screw driving | Machine Screw | M2.5 - M5                        |
|                            |               | Wood screw    | φ 3.8 X 38 mm (5/32" X 1-29/64") |
|                            | Drilling      | For metal     | φ 5 mm (13/64") spc t=1.6mm      |
| Motor                      |               |               | 3.6V DC                          |
| No load speed              |               | LOW           | 200/min (rpm)                    |
|                            |               | HIGH          | 600/min (rpm)                    |
| Maximum clutch torque      |               |               | 3.0 Nm (30 kgf-cm, 26 in-lbs)    |
| Overall length             |               |               | 276 mm (10-55/64")               |
| Weight (with battery pack) |               |               | 0.5 kg (1.1 lbs)                 |

### WARNING

This service information is designed for experienced repair technicians only and is not designed for use by the general public. It does not contain warnings or cautions to advise non-technical individuals of potential dangers in attempting to service a product. Products powered by electricity should be serviced or repaired only by experienced professional technicians. Any attempt to service or repair the product or products dealt with in this service information by anyone else could result in serious injury or death.

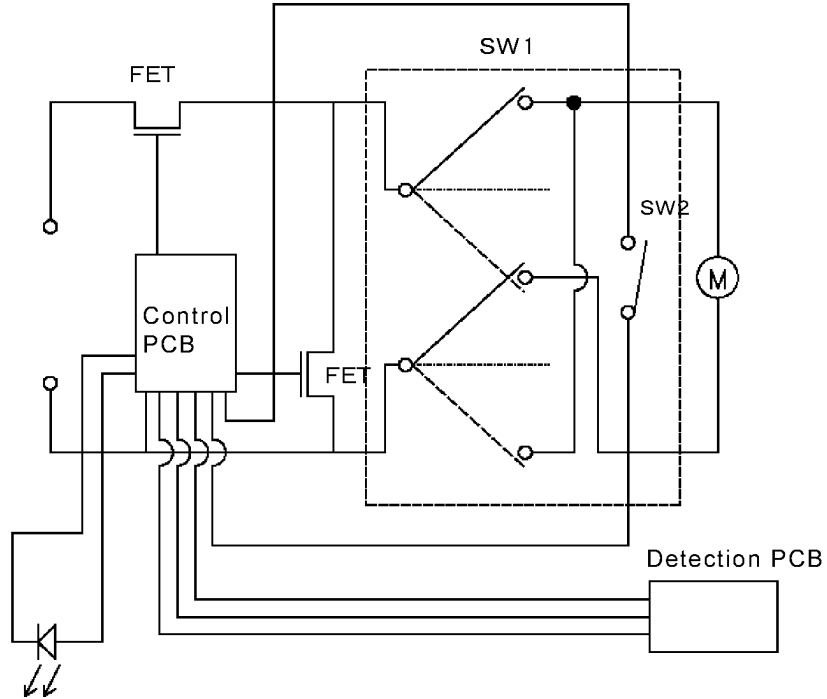
## CONTENTS

|                                   | Page |                                | Page |
|-----------------------------------|------|--------------------------------|------|
| 1 SCHEMATIC DIAGRAM .....         | 2    | 3 EXPLODED VIEW .....          | 3    |
| 2 WIRING CONNECTION DIAGRAM ..... | 2    | 4 REPLACEMENT PARTS LIST ..... | 4    |

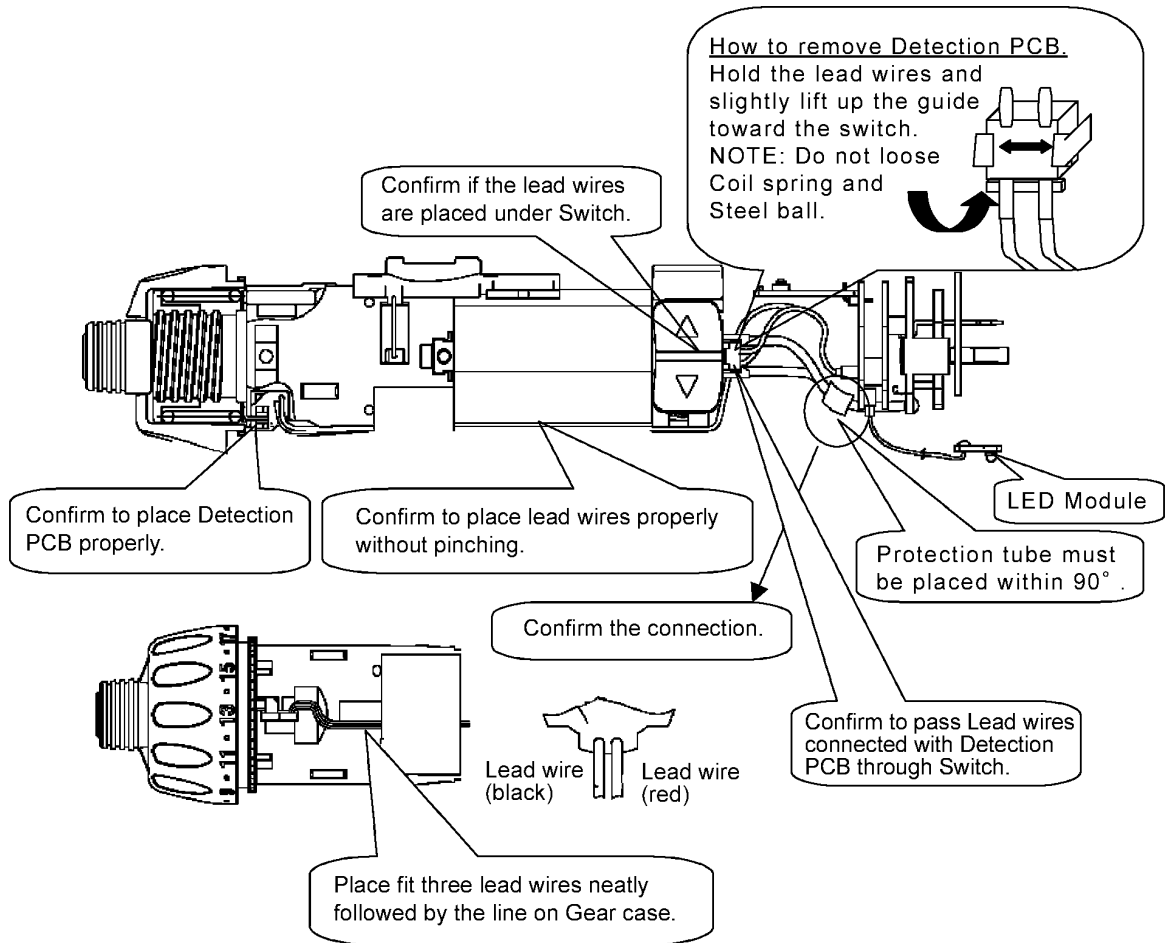


© 2006 Matsushita Electric Works, Ltd. All rights reserved. Unauthorized copying and distribution is a violation of law.

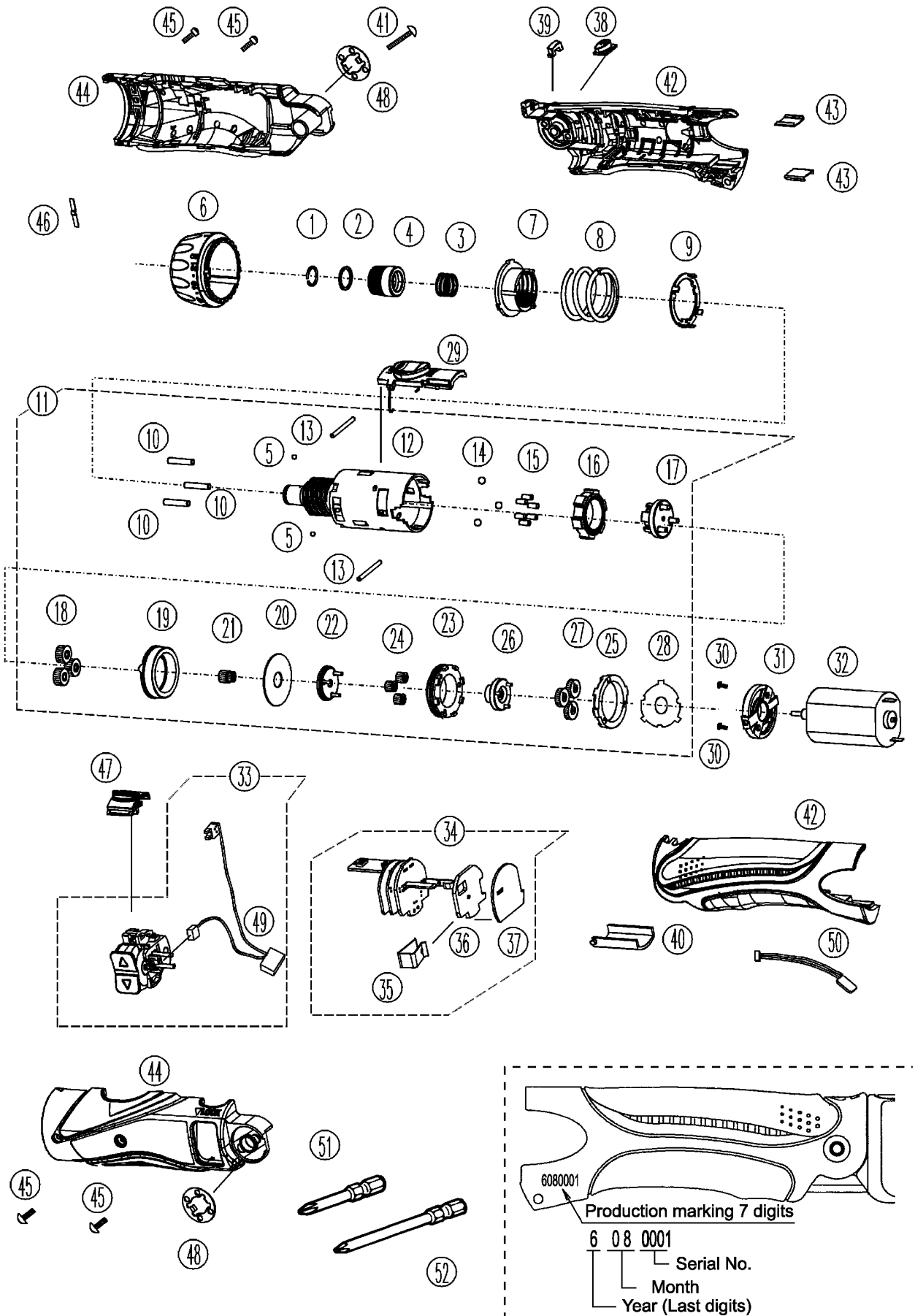
# 1 SCHEMATIC DIAGRAM



# 2 WIRING CONNECTION DIAGRAM



### 3 EXPLODED VIEW



## 4 REPLACEMENT PARTS LIST

### NOTE:

\*B=only available as set

\*C=available individually

| Ref. No. | Parts No.    | Parts Name & Descriptions      | Remarks                     | Per Unit |
|----------|--------------|--------------------------------|-----------------------------|----------|
| 1        | WEY7410K1167 | C-TYPE SPRING                  |                             | 1        |
| 2        | WEY7410L0867 | THRUST PLATE                   |                             | 1        |
| 3        | WEY7410L0927 | SPRING FOR BIT                 |                             | 1        |
| 4        | WEY7410K3717 | BIT HOLDER                     |                             | 1        |
| 5        | WEY503B1927  | STEEL BALL                     | *B (2PCS/PK)                | 2        |
| 6        | WEY7410K3227 | CLUTCH HANDLE                  |                             | 1        |
| 7        | WEY6225L0637 | ADJUSTING SCREW                |                             | 1        |
| 8        | WEY6225L0167 | CLUTCH SPRING                  |                             | 1        |
| 9        | WEY6225L0847 | CLUTCH PLATE                   |                             | 1        |
| 10       | WEY6225L0397 | PIN A                          | *B (3PCS/PK) $\phi$ 3*15.1  | 3        |
| 11       | WEY7410L1087 | GEAR BOX BLOCK                 |                             | 1        |
| 12       | WEY7410L1807 | GEAR CASE                      |                             | 1        |
| 13       | WEY6225L0377 | PIN C                          | *B (2PCS/PK) $\phi$ 2*22.8  | 2        |
| 14       | WEY6225L6977 | STEEL BALL                     | *B (3PCS/PK) $\phi$ 3.5     | 3        |
| 15       | WEY6225L0387 | PIN B                          | *B (6PCS/PK) $\phi$ 2.5*5.8 | 6        |
| 16       | WEY7410L1507 | LOCK RING                      |                             | 1        |
| 17       | WEY6225L1147 | CARRIER D                      |                             | 1        |
| 18       | WEY6225L1347 | PLANET GEAR C                  | *B (3PCS/PK)                | 3        |
| 19       | WEY6225L1477 | RING GEAR C                    |                             | 1        |
| 20       | WEY6225L0857 | THRUST PLATE                   |                             | 1        |
| 21       | WEY6225L1117 | CARRIER A                      |                             | 1        |
| 22       | WEY6225L1127 | CARRIER B                      |                             | 1        |
| 23       | WEY6225L1487 | RING GEAR A                    |                             | 1        |
| 24       | WEY6225L1367 | PLANET GEAR B                  | *B (3PCS/PK)                | 3        |
| 25       | WEY6225L1497 | RING GEAR B                    |                             | 1        |
| 26       | WEY6225L1137 | CARRIER C                      |                             | 1        |
| 27       | WEY6225L1357 | PLANET GEAR A                  | *B (3PCS/PK)                | 3        |
| 28       | WEY502B0207  | INTERNAL PRESSURE              |                             | 1        |
| 29       | WEY7410H3237 | CHANGE-GEAR HANDLE             |                             | 1        |
| 30       | WEY6225L6027 | SCREW                          | *C K3-5                     | 2        |
| 31       | WEY6225L0027 | MOTOR MOUNTING BASE            |                             | 1        |
| 32       | WEY7410L1008 | DC MOTOR                       |                             | 1        |
| 33       | WEY7410K2007 | SWITCH                         |                             | 1        |
| 34       | WEY7410L2117 | CONTROL PCB                    |                             | 1        |
| 35       | WEY6225L0197 | SPRING                         |                             | 1        |
| 36       | WEY7410L2567 | RADIATING PLATE                |                             | 1        |
| 37       | WEY7410L0207 | TERMINAL BASE PLATE            |                             | 1        |
| 38       | WEY7410H3567 | LED LIGHT ON/OFF BUTTON        |                             | 1        |
| 39       | WEY7410X3117 | BATTERY LOW WARNING LAMP COVER |                             | 1        |
| 40       | WEY7410H0877 | HINGE COVER                    |                             | 1        |
| 41       | WEY502B6217  | TAPPING SCREW                  | M4-20                       | 1        |
| 42       | WEY7410K3937 | GRIP AB SET                    |                             | 1        |
| 43       | WEY6225L0157 | FASTENING CLIP                 | *B (2PCS/PK)                | 2        |
| 44       | WEY7410K3059 | HOUSING AB SET                 | for EUROPE                  | 1        |
| 44       | WEY7410K3050 | HOUSING AB SET                 | for OCEANIA                 | 1        |
| 45       | WEY6230L6017 | TAPPING SCREW                  | *C 2.6*8                    | 4        |
| 46       | WEY6225L0177 | CLICK SPRING                   |                             | 1        |
| 47       | WEY7410H0397 | LOCK LEVER                     |                             | 1        |
| 48       | WEY502B0187  | CLICK SPRING                   | *B (2PCS/PK)                | 2        |
| 49       | WEY7410L2127 | DETECTION PCB                  |                             | 1        |
| 50       | WEY7410L2337 | LED MODULE                     |                             | 1        |
| 51       | WEY6225S7888 | #1 PHILIPS BIT                 | L=50mm                      | 1        |
| 52       | WEY6225S7958 | #2 PHILIPS BIT                 | L=50mm                      | 1        |
| -        | WEY7410K7018 | TOOL CASE                      | for LA2S                    | 1        |
| -        | WEY7410K8008 | INDIVIDUAL BOX                 | for LA1C                    | 1        |
| -        | WEY7410K8109 | OPERATING INSTRUCTIONS         |                             | 1        |

\*\*Battery Pack is available as an optional accessory. See the nearest sales dealer for details.

\*\*\*For replacement parts of charger, see the charger service manual.

Charger complete set is available as an optional accessory. See the nearest sales dealer for details.