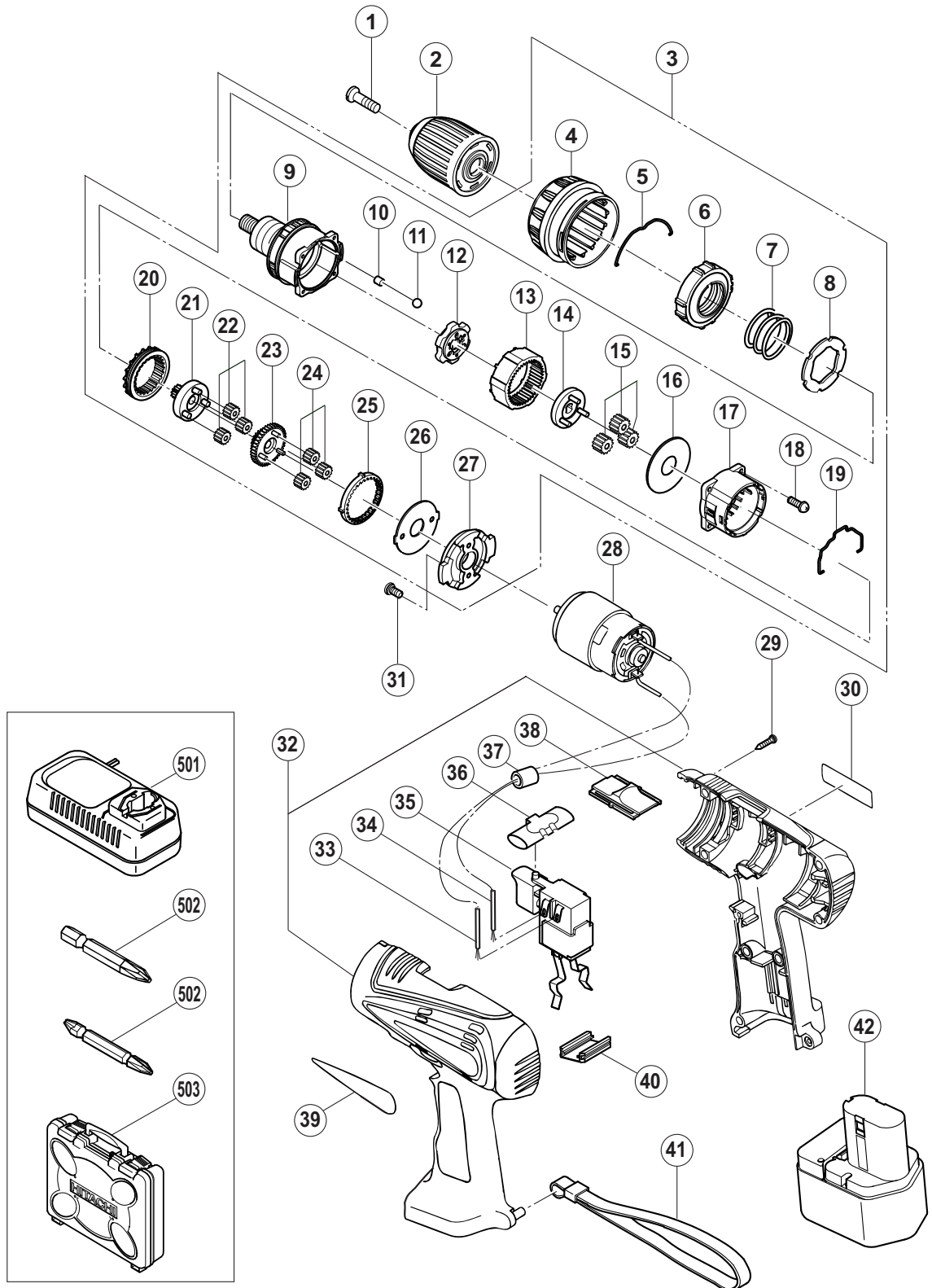


ELECTRIC TOOL PARTS LIST

CORDLESS DRIVER DRILL
Model DS 12DVB2

2004 · 4 · 20
(E1)



PARTS

DS 12DVB2

ITEM NO.	CODE NO.	DESCRIPTION	NO. USED	REMARKS	
1	311-959	SPECIAL SCREW (LEFT HAND) M6X23	1		
2	320-684	DRILL CHUCK 13VLRG-N (W/O CHUCK WRENCH)	1		
3	320-926	GEAR BOX ASS'Y	1	INCLUD. 4-27	
4	319-755	CAP	1		
5	319-754	CLICK SPRING	1		
6	319-743	NUT	1		
7	319-742	SPRING	1		
8	319-741	THRUST WASHER	1		
9	320-927	FRONT CASE	1		
10	319-744	ROLLER	6		
11	306-936	STEEL BALL D5	6		
12	320-928	LOCK RING	1		
13	319-745	RING GEAR	1		
14	320-929	CARRIER	1		
15	319-769	PLANET GEAR (C) SET (3 PCS.)	3		
16	312-704	WASHER (A)	1		
17	319-748	REAR CASE	1		
18	312-712	SCREW SET D3X12 (4 PCS.)	4		
19	319-753	SHIFT ARM	1		
20	319-750	SLIDE RING GEAR	1		
21	319-749	PINION (C)	1		
22	319-768	PLANET GEAR (B) SET (3 PCS.)	3		
23	319-751	PINION (B)	1		
24	319-767	PLANET GEAR (A) SET (3 PCS.)	3		
25	319-752	FIRST RING GEAR	1		
26	312-716	WASHER (B)	1		
27	316-955	MOTOR SPACER	1		
28	320-931	MOTOR	1		
29	313-687	TAPPING SCREW (W/FLANGE) D3X16 (BLACK)	7		
30		NAME PLATE	1		
*	31	958-523	MACHINE SCREW (W/SP. WASHER) M4X8	2	
*	31	317-333	MACHINE SCREW (W/SP. WASHER) M4X6	2	FOR USA, CAN, AUS, NZL
	32	320-930	HOUSING (A).(B) SET	1	
*	33	320-159	INTERNAL WIRE (BLACK) 160L	1	
*	33	319-759	INTERNAL WIRE (BLACK) 100L	1	FOR USA, CAN, AUS, NZL
	34	319-758	INTERNAL WIRE (RED) 130L	1	
	35	318-245	DC-SPEED CONTROL SWITCH	1	
	36	319-760	PUSHING BUTTON	1	
*	37	318-247	FERRITE CORE	1	EXCEPT FOR USA, CAN, AUS, NZL
	38	318-234	SHIFT KNOB	1	
	39		HITACHI LABEL	1	
	40	315-141	TERMINAL SUPPORT (A)	1	
	41	306-952	STRAP (BLACK)	1	
*	42	320-387	BATTERY EB 1220BL (W/ENGLISH N.P.)	2	
*	42	320-386	BATTERY EB 1220BL (W/ENGLISH N.P.)	2	FOR USA, CAN
*	42	320-685	BATTERY EB 1220BL (W/ENGLISH N.P.)	2	FOR NZL
*	42	320-686	BATTERY EB 1222HL (W/ENGLISH N.P.)	2	FOR BEL

