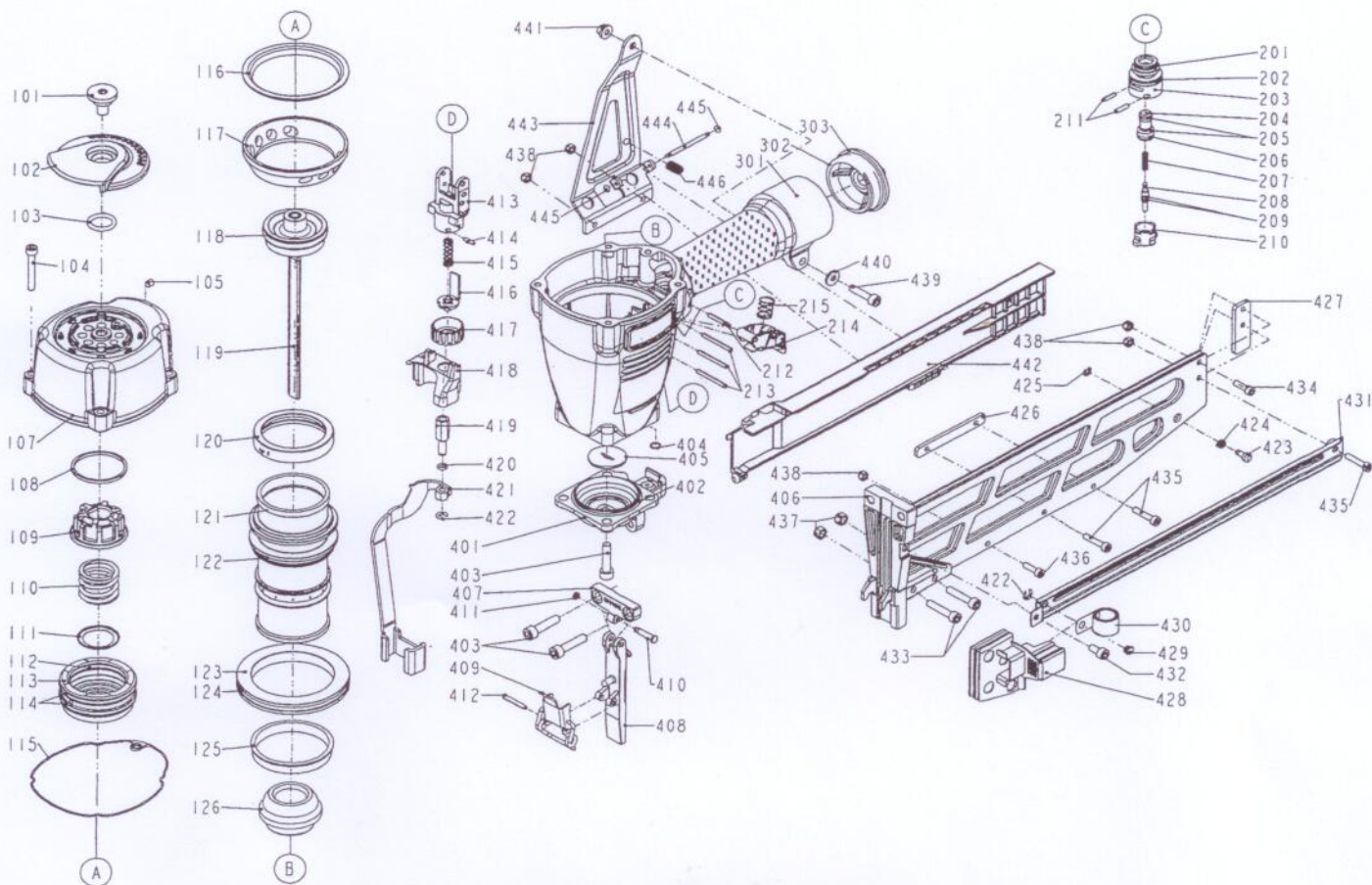


# DIAGRAM OF KB7T67C



ITEM NO.	PART NO.	DESCRIPTION	ITEM NO.	PART NO.	DESCRIPTION	ITEM NO.	PART NO.	DESCRIPTION
101	1136B-0374702-1	DEFLECTOR PAD	209	2041102-01030-0	O - RING	424	11311-0074701-1	LATCH SPRING
102	11371-0374704-1	DEFLECTOR	210	11373-0084701-1	TRIGGER VALVE HEAD	425	2040302-23010-0	E - RING
103	2041106-02010-0	O - RING	211	2040400-05060-0	SPRING PIN	426	1133X-0984702-1	SPACER
104	2040100-03220-0	BOLT W/FLAT WASHER	212	2040400-05110-0	SPRING PIN	427	1133X-0984703-1	SPACER
105	2040104-03010-0	HEX.SOC.HD.SCREW	213	2040400-05160-0	SPRING PIN	428	11363-0984701-1	PUSHER
107	11369-0984301-1	CAP	214	11224-0764701-1	TRIGGER UNIT	429	1134L-0984701-1	BRACKET
108	11381-0950001-1	WASHER SEAL	215	11376-0370001-1	SPRING	430	11372-0980001-1	SPRING
109	11370-0950001-1	SEAL	301	11230-1090601-1	GUN BODY UNIT	431	11396-0984701-1	STEEL CHANNEL
110	11360-1010001-1	COMPRESSION SPRING	302	11346-0081301-1	END CAP	432	2040101-03040-2	HEX.SOC.HD.BOLT
111	11381-0950002-1	WASHER	303	2041109-05050-0	O - RING	433	2040101-03110-0	HEX.SOC.HD.BOLT
112	2041108-05070-0	O - RING	401	11326-0984701-1	BASE	434	2040101-02080-0	HEX.SOC.HD.BOLT
113	11368-1010001-1	HD.VALVE PISTON	402	2041104-05020-0	O - RING	435	2040101-02100-0	HEX.SOC.HD.BOLT
114	2041104-06050-0	O - RING	403	2040101-04090-2	HEX.SOC.HD.BOLT	436	2040101-02070-0	HEX.SOC.HD.BOLT
115	1132M-1094701-1	PACKING	404	2041109-01060-0	O - RING	437	2040500-03020-0	LOCK NUT
116	1136D-0984701-1	PRESS RING	405	11388-0984701-1	DRIVER GUIDE	438	2040500-02010-0	LOCK NUT
117	1131E-0084701-2	CYLINDER PRESS RING	406	11241-0984701-1	DRIVER GUIDE UNIT	439	2040101-03100-0	HEX.SOC.HD.BOLT
118	2041100-05062-0	O - RING	407	11353-0984701-1	DRIVER GUIDE COVER A	440	2040202-03010-0	FLAT WASHER
119	11204-0984704-1	DRIVER UNIT	408	11352-0984701-1	DRIVER GUIDE COVER A	441	2040501-03040-0	BOLT CAP
120	11399-1014701-1	COLLAR	409	11244-0074701-1	LOCK HANDLE UNIT	442	11348-0980001-1	MOUNTING BRACKET
121	11320-1050001-1	CYLINDER	410	1130U-0254701-2	FEED FINGER PLUG	443	11323-0984701-1	POSITIONING SHEET
122	2041109-06020-0	O - RING	411	1135H-0790001-1	PU RETAINER	444	1135N-0074701-1	HINGE POINT
123	11321-0080006-1	CYLINDER SPACER	412	2040401-05110-0	SPIRAL PINS	445	2041109-01010-0	O - RING
124	2041104-08010-0	O - RING	413	11338-0764701-1	SAFETY GUIDE	446	11337-0074701-1	SAFETY SPRING
125	11322-0764701-1	CYLINDER RING	414	2040400-04050-0	SPRING PIN			
126	11327-0764702-1	BUMPER	415	11337-0980001-1	SAFETY SPRING			
201	2041104-02020-0	O - RING	416	11256-0764702-2	SAFETY B UNIT			
202	2041104-02030-0	O - RING	417	11393-0761101-1	ADJUST AXIE			
203	11374-0084701-1	PLUNGER CAP	418	1137A-0764701-1	COVER-SAFETY			
204	1133S-0250001-1	VALVE PLUNGER	419	11393-0984701-1	ADJUST ROD			
205	2041100-01070-0	O - RING	420	2041102-01050-0	O - RING			
206	2041100-01030-0	O - RING	421	11330-0984701-1	SAFETY			
207	11376-0254701-1	SPRING	422	2040302-24010-0	E - RING			
208	11375-0084702-1	PLUNGER	423	11310-0074701-1	DOOR LATCH			