





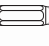






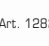



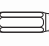











	L1	L2	L3
	690 mm	470 mm	895 mm
<b>L4</b>	536 mm	410 mm	75 mm
<b>L5</b>	536 mm	410 mm	139 mm
<b>L6</b>	536 mm	410 mm	187 mm

















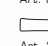
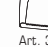




Art.	
<b>1098</b>	



**287**  
PCS

- 1/4"**  
13 4-4.5-5-5.5-6-7-8  
9-10-11-12-13-14 mm
- 6** 6-8-10-11-12-13 mm
- Art. 1000  
**45** 
- 1/2"**  
16 10-11-12-13-14-15  
16-17-18-19-21-22  
24-27-30-32 mm
- 2** 16 mm / 21 mm
- Art. 1020  
**45** 
- 1/4"**           
- 5/16"**     
- 4 mm**      
- 20** 5.5-6-7-8-9-10-11-12-13-14-15  
16-17-18-19-20-21-22-23-24 mm
-  1.5-2-2.5-3-4-5-6-8-10 mm
-  T10-T15-T20-T25-T27-T30  
T40-T45-T50

-  4 x 38 mm Art. 1112-2
-  3 x 75 mm Art. 1110-1
-  4 x 100 mm Art. 1110-2
-  5 x 100 mm Art. 1110-3
-  6 x 150 mm Art. 1110-4
-  8 x 150 mm Art. 1110-5
-   2 x 38 mm Art. 1117-2
-  1 x 75 mm Art. 1115-1
-  2 x 100 mm Art. 1115-2
- Art. 2138 **110-250V** 
-  Art. 1281-180 **180 mm**
- DIN ISO 5746**
-  Art. 1285-200 **200 mm**
- DIN ISO 5745**
-  Art. 1282-160 **160 mm**
- DIN ISO 5749**
-  Art. 1289-160 **160 mm**
- DIN ISO 5232**
- 2x**  Art. 3310
- Art. 3312
-  Art. 2303 **300 g**
- Art. 2336 **361 g**
- Art. 3305  18-22 mm
- Art. 3308-1  2-3-4-5-6-8 mm
- HSS-Bimetall** 300 mm Art. 3316-24  No. 2
- 